



# PowerSeeker<sup>®</sup> Series Telescopes

## INSTRUCTION MANUAL

- *PowerSeeker 60EQ # 21043*
- *PowerSeeker 70EQ # 21037*
- *PowerSeeker 80EQ # 21048*
- *PowerSeeker 114EQ # 21045*
- *PowerSeeker 127EQ # 21049*

# Table of Contents

INTRODUCTION .....	3
ASSEMBLY .....	6
Setting up the Tripod.....	6
Attaching the Equatorial Mount .....	7
Installing the Counterweight Bar & Counterweight(s) .....	7
Attaching the Slow Motion Cables .....	8
Attaching the Telescope Tube to the Mount.....	8
Installing the Diagonal & Eyepiece (Refractor) .....	9
Installing the Eyepiece on the Newtonian .....	9
Installing the Finderscope .....	10
Aligning the Finderscope.....	10
Installing and Using the Barlow Lens .....	10
Moving the Telescope Manually .....	11
Balancing the Mount in R.A. ....	11
Balancing the Mount in Dec.....	11
Adjusting the Equatorial Mount .....	12
Adjusting the Mount in Altitude.....	12
TELESCOPE BASICS .....	13
Image Orientation.....	14
Focusing.....	14
Calculating Magnification.....	14
Determining Field of View .....	15
General Observing Hints.....	15
ASTRONOMY BASICS .....	16
The Celestial Coordinate System.....	16
Motion of the Stars .....	16
Polar Alignment with the Latitude Scale.....	17
Pointing at Polaris.....	18
Finding the North Celestial Pole.....	18
Polar Alignment in the Southern Hemisphere .....	19
Aligning the Setting Circles.....	21
Motor Drive.....	22
CELESTIAL OBSERVING .....	23
Observing the Moon .....	23
Observing the Planets.....	23
Observing the Sun.....	23
Observing Deep-Sky Objects .....	24
Seeing Conditions.....	24
ASTROPHOTOGRAPHY .....	25
Short Exposure Prime Focus Photography .....	25
Piggyback Photography.....	25
Planetary & Lunar Photography with Special Imagers .....	25
CCD Imaging for Deep Sky Objects .....	25
Terrestrial Photography.....	25
TELESCOPE MAINTENANCE .....	26
Care and Cleaning of the Optics.....	26
Collimation of a Newtonian.....	26
OPTIONAL ACCESSORIES .....	29
POWERSEEKER SPECIFICATIONS.....	30

# **CELESTRON** **Introduction**

Congratulations on your purchase of a PowerSeeker telescope. The PowerSeeker Series of telescopes come in several different models and this manual covers five models mounted on a German Equatorial Mount --- 60mm refractor, 70mm refractor, 80mm refractor, 114mm Newtonian, and 127mm Newtonian. The PowerSeeker Series is made of the highest quality materials to ensure stability and durability. All this adds up to a telescope that gives you a lifetime of pleasure with a minimal amount of maintenance.

These telescopes were designed for the First Time Buyer offering exceptional value. The PowerSeeker series features a compact and portable design with ample optical performance to excite any newcomer to the world of amateur astronomy.

PowerSeeker telescopes carry a **two year limited warranty**. For details see our website at [www.celestron.com](http://www.celestron.com)

Some of the many standard features of the PowerSeeker include:

- All coated glass optical elements for clear, crisp images.
- Smooth functioning, rigid equatorial mount with setting circles in both axes.
- Preassembled aluminum tripod ensures a stable platform.
- Quick and easy no-tool set up.
- CD-ROM “The Sky” Level 1 -- astronomy software which provides education about the sky and printable sky maps.
- All models can be used terrestrially as well as astronomically with the standard accessories included.

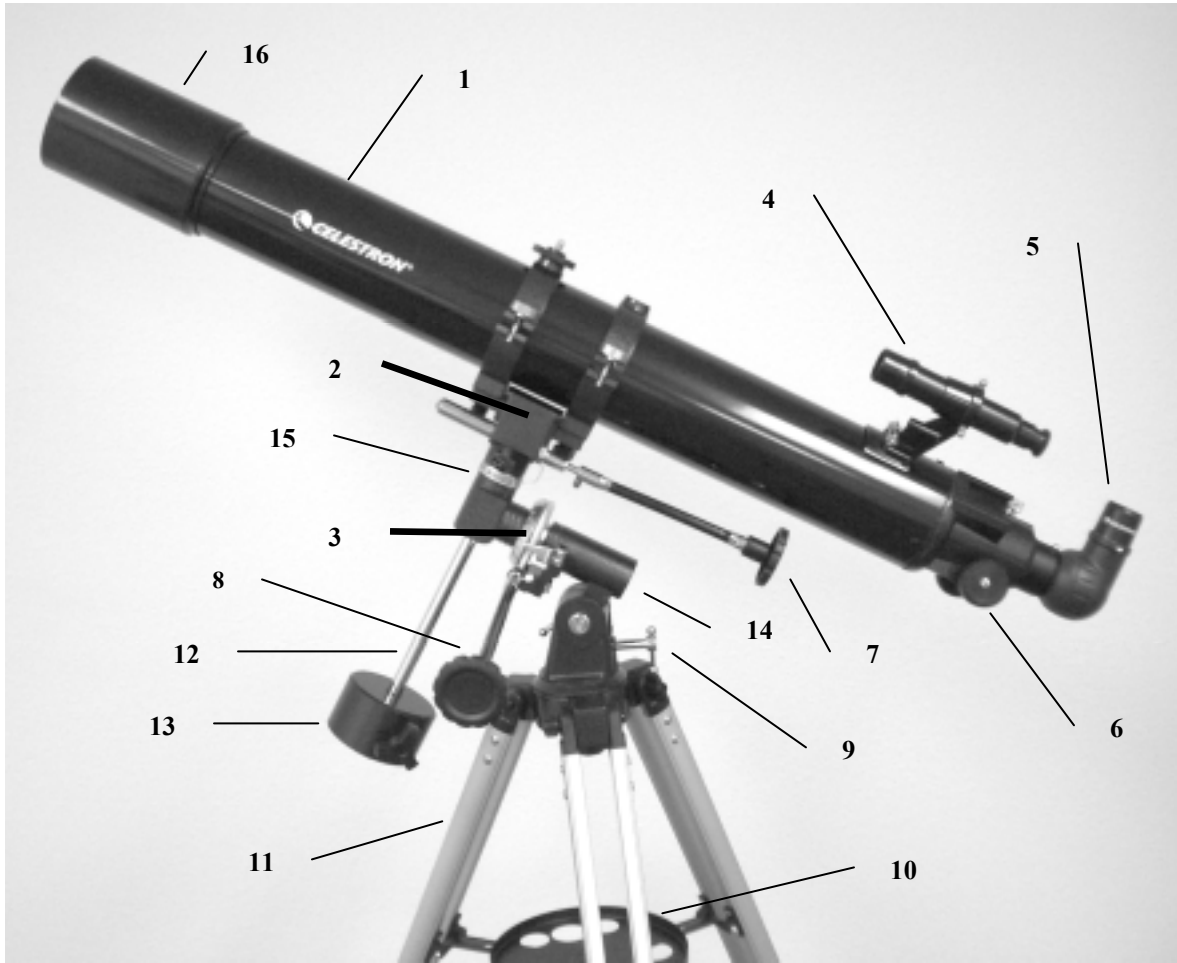
Take time to read through this manual before embarking on your journey through the Universe. It may take a few observing sessions to become familiar with your telescope, so you should keep this manual handy until you have fully mastered your telescope’s operation. The manual gives detailed information regarding each step as well as needed reference material and helpful hint to make your observing experience as simple and pleasurable as possible.

Your telescope is designed to give you years of fun and rewarding observations. However, there are a few things to consider before using your telescope that will ensure your safety and protect your equipment.

## **Warning**

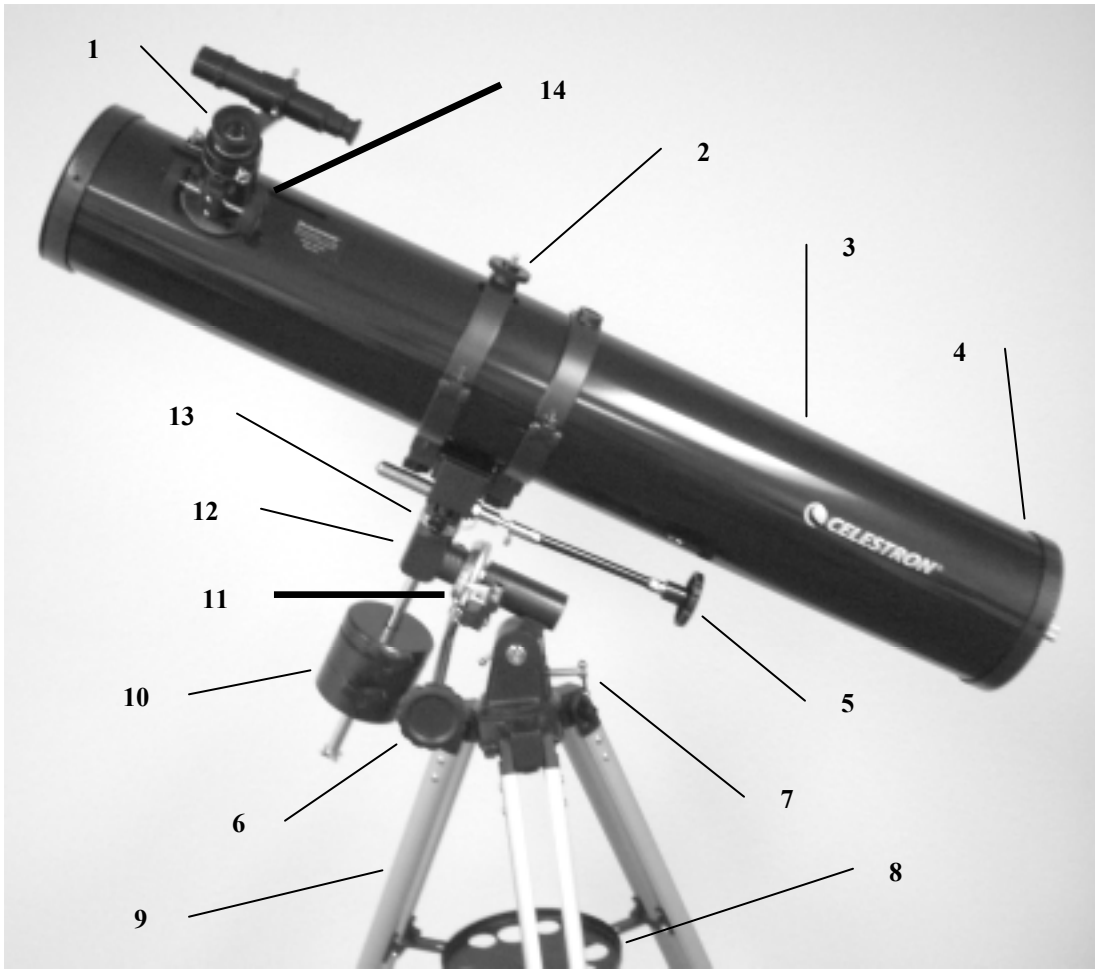


- **Never look directly at the sun with the naked eye or with a telescope (unless you have the proper solar filter). Permanent and irreversible eye damage may result.**
- **Never use your telescope to project an image of the sun onto any surface. Internal heat build-up can damage the telescope and any accessories attached to it.**
- **Never use an eyepiece solar filter or a Herschel wedge. Internal heat build-up inside the telescope can cause these devices to crack or break, allowing unfiltered sunlight to pass through to the eye.**
- **Do not leave the telescope unsupervised, either when children are present or adults who may not be familiar with the correct operating procedures of your telescope.**



**Figure 1-1 PowerSeeker 80EQ Refractor  
PowerSeeker 60EQ & PowerSeeker 70EQ Similar**

1.	Telescope Optical Tube	9.	Latitude Adjustment Screw
2.	Mounting Bracket w/ Tube Rings	10.	Tripod Accessory Tray
3.	R.A. Setting Circle	11.	Tripod
4.	Finderscope	12.	Counterweight Bar
5.	Eyepiece & Diagonal	13.	Counterweight
6.	Focus Knob	14.	Equatorial Mount
7.	Dec. Slow Motion Cable	15.	Dec. Setting Circle
8.	R.A. Slow Motion Cable	16.	Objective Lens



**Figure 1-2 PowerSeeker 114EQ Newtonian  
PowerSeeker 127EQ Newtonian Similar**

1.	<b>Eyepiece</b>	8.	<b>Tripod Accessory Tray</b>
2.	<b>Tube Ring</b>	9.	<b>Tripod</b>
3.	<b>Telescope Optical Tube</b>	10.	<b>Counterweight</b>
4.	<b>Primary Mirror</b>	11.	<b>R.A. Setting Circle</b>
5.	<b>Dec. Slow Motion Cable</b>	12.	<b>Equatorial Mount</b>
6.	<b>R.A. Slow Motion Cable</b>	13.	<b>Dec. Setting Circle</b>
7.	<b>Latitude Adjustment Screw</b>	14.	<b>Focus Knob</b>



This section covers the assembly instructions for your PowerSeeker telescope. Your telescope should be set up indoors the first time so that it is easy to identify the various parts and familiarize yourself with the correct assembly procedure before attempting it outdoor.

Each PowerSeeker comes in one box. The pieces in the box are – optical tube, tube rings (except 60EQ), German equatorial mount, counterweight bar, counterweight, R.A. & Dec. slow-motion cables, 4mm eyepiece – 1.25”, 20mm eyepiece – 1.25” (erect image for 114EQ & 127EQ), erect image diagonal 1.25” (for 60EQ, 70EQ, and 80EQ), 3x Barlow Lens 1.25”, “The Sky” Level 1 CD-ROM.

## Setting up the Tripod

1. Remove the tripod from the box (Figure 2-1). The tripod comes preassembled so that the set up is very easy.
2. Stand the tripod upright and pull the tripod legs apart until each leg is fully extended and then push down slightly on the tripod leg brace (Figure 2-2). The very top of the tripod is called the tripod head.
3. Next, we will install the tripod accessory tray (Figure 2-3) onto the tripod leg brace (center of Figure 2-2).
4. On the bottom of the tripod tray is a screw attached to the center. The screw attaches into a threaded hole in the center of the tripod leg brace by turning it counterclockwise - note: pull up slightly on the tripod leg brace to make it easy to attach. Continue turning the tray until hand tight – don’t over tighten the tray.



Figure 2-1



Figure 2-2



Figure 2-3

5. The tripod is now completely assembled (Figure 2-4).
6. You can extend the tripod legs to the height you desire. At the lowest level the height is 26” (66cm) and extends to 47” (119cm). You unlock the tripod leg lock knob at the bottom of each leg (Figure 2-5) by turning them counterclockwise and pull the legs out to the height you want & then lock the knob securely. A fully extended tripod looks like the image in Figure 2-6.
7. The tripod will be the most rigid and stable at the lower heights.



Figure 2-4

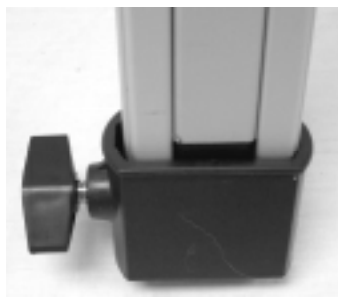


Figure 2-5



Figure 2-6

## Attaching the Equatorial Mount

The equatorial mount allows you to tilt the telescopes axis of rotation so that you can track the stars as they move across the sky. The PowerSeeker mount is a German equatorial mount that attaches to the tripod head. To attach the mount:

1. Remove the equatorial mount from the box (Figure 2-8). The mount has the latitude locking bolt attached to it (Figure 2-27). The latitude adjustment screw attaches to the threaded hole in the mount as shown in Figure 2-10.
2. The mount will attach to the tripod head and more specifically to the knob with bolt attached under the tripod head (Figure 2-7). Push the mount (large flat portion with a small tube sticking out) into the center hole of the tripod head until it is flush and hold it steady. Then, reach under the tripod head with your other hand and turn the knob counterclockwise which will thread it into the bottom of the mount. Continue turning until it is tight. The completed assembly of the mount to the tripod is seen in Figure 2-9.



Figure 2-7



Figure 2-8



Figure 2-9



Figure 2-10

## Installing the Counterweight Bar & Counterweight(s)

To properly balance the telescope, the mount comes with a counterweight bar and one or two counterweights (depending on the model you have). To install them:

1. Remove the counterweight safety screw from the counterweight bar (at the opposite end of the threaded rod) by unthreading it counterclockwise – see Figure 2-11.
2. Install the large threads of the counterweight bar into the threaded hole in the Dec. axis of the mount and turn clockwise-- see Figure 2-12 until it is tight. Now you are ready to attach the counterweight(s).
3. Orient the mount so that the counterweight bar points toward the ground.
4. Loosen the locking knob on the side of the counterweight so that the threads do not protrude through the center hole of the counterweight.
5. Slide the counterweight onto the counterweight bar about half way up and tighten the locking knob securely. The correct orientation of the weight is shown in Figure 2-13.
6. Slide the second counterweight (if your model has a second weight) onto the counterweight bar flush up against the first one and then lock securely.
7. Replace the safety screw and thread it on securely. The completed assembly is shown in Figure 2-13.

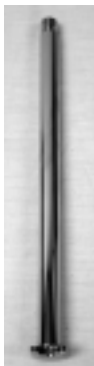


Figure 2-11



Figure 2-12



Figure 2-13

## Attaching the Slow Motion Cables

The PowerSeeker mount comes with two slow motion control cables that allow you to make fine pointing adjustments to the telescope in both R.A. and Declination. To install the cables:

1. Locate the two cables with knobs on them. The longer one is for the R.A. axis and make sure the screw on each cable end does not protrude through the opening.
2. Slide the cable onto the R.A. shaft (see Figure 2-14) so the screw fits over the groove in the R.A. Shaft. There are two R.A. shafts, one on either side of the mount. It makes no difference which shaft you use since both work the same (except if using a motor drive). Use whichever one you find more convenient.
3. Tighten the screw on the R.A. cable to hold it securely in place.
4. The DEC slow motion cable attaches in the same manner as the R.A. cable. The shaft that the DEC slow motion knob fits over is toward the top of the mount, just below the telescope mounting platform.



**Figure 2-14**

R.A. Shaft on bottom below the R.A. Setting Circle  
Dec. Shaft on top above the Dec. Setting Circle



**Figure 2-15**

R.A. & Dec. Cables attached

## Attaching the Telescope Tube to the Mount

The telescope optical tube attaches to the equatorial mount with tube rings (except on the 60EQ) supporting it to the mounting bracket at the top of the mount (Figure 2-16). For the 60EQ refractor, the tube mounts directly to the mounting bracket with the screw studs attached to the optical tube. **Before you attach the optical tube, make sure that the declination and right ascension locking knobs are tight (Figure 2-24). Then, make sure that the latitude adjustment screw and latitude locking bolt (Figure 2-27) are tight.** This will ensure that the mount does not move suddenly while attaching the telescope optical tube. Also, remove the objective lens cap (refractor) or the front opening cap (Newtonian). To mount the telescope tube:

1. Remove the protective paper covering the optical tube. You will have to remove the tube rings (Figure 2-16) before removing the paper.
2. Remove the knobs from the threaded posts at the bottom of the tube rings (Figure 2-16).
3. Now put the posts through the holes in the top of the mount platform (Figure 2-17) and put the knobs back on and tighten and they will look like Figure 2-18.
4. Open the tube rings (loosen the large chromed knobs) so that the optical tube can be put on.
5. Hold the optical tube carefully with one hand and center in the tube rings and close the rings and latch and tighten the knurled knobs of the tube rings which will look like Figure 2-19.
6. Note that you could attach the tube rings to the optical tube first and then attach to the mounting platform on the equatorial mount as this is a personal preference.

**NOTE:** Never loosen any of the knobs on the telescope tube or mount other than the R.A. and DEC knobs.

**Hint:** For maximum rigidity of the telescope and mount, make sure the knobs/screws holding the tripod legs to the tripod head are tight.





Figure 2-16

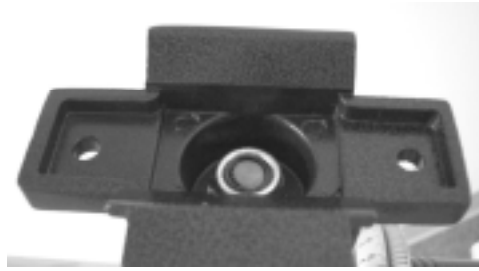


Figure 2-17



Figure 2-18



Figure 2-19

## ***Installing the Diagonal & Eyepiece (Refractor)***

The diagonal is a prism that diverts the light at a right angle to the light path of the refractor. This allows you to observe in a position that is more comfortable than if you had to look straight through. This diagonal is an erect image model that corrects the image to be right side up and oriented correctly left-to-right which is much easier to use for terrestrial observing. Also, the diagonal can be rotated to any position which is most favorable for you. To install the diagonal and eyepieces:

1. Insert the small barrel of the diagonal into the 1.25" eyepiece adapter of the focus tube on the refractor – Figure 2-20. Make sure the two thumbscrews on the eyepiece adapter do not protrude into the focuser tube before installation and the plug up cap is removed from the eyepiece adapter.
2. Put the chrome barrel end of one of the eyepieces into the diagonal and tighten the thumb screw. Again, when doing this make sure the thumb screw is not protruding into the diagonal before inserting the eyepiece.
3. The eyepieces can be changed to other focal lengths by reversing the procedure in step 2 above.



Figure 2-20

## ***Installing the Eyepiece on the Newtonian***

The eyepiece (or ocular) is an optical element that magnifies the image focused by the telescope. Without the eyepiece it would be impossible to use the telescope visually. Eyepieces are commonly referred to by focal length and barrel diameter. The longer focal length (i.e., the larger the number) the lower the eyepiece magnification (i.e., power). Generally, you will use low-to-moderate power when viewing. For more information on how to determine power, see the section on "Calculating Magnification". The eyepiece fits directly into the focuser of the Newtonian. To attach the eyepieces:

1. Make sure the thumbscrews are not protruding into the focuser tube. Then, insert the chrome barrel of the eyepieces into the focus tube (remove the plug up cap of the focuser first) and tighten the thumbscrews – see Figure 2-21.
2. The 20mm eyepiece is called an erecting eyepiece since it corrects the image so it is right side up and corrected left to right. This makes the telescope useful for terrestrial viewing.
3. The eyepieces can be changed by reversing the procedure as described above.



Figure 2-21

## Installing the Finderscope

To install the finderscope:

1. Locate the finderscope (it will be mounted inside the finderscope bracket) – see Figures 1-1 and 1-2.
2. Remove the knurled nuts on the threaded posts on the optical tube – see Figure 2-22.
3. Mount the finderscope bracket by placing it over the posts protruding from the optical tube and then holding it in place thread on the knurled nuts and tighten them down – note that the finderscope should be oriented so that the larger diameter lens is facing toward the front of the optical tube.
4. Remove the lens caps from both ends of the finderscope.



Figure 2-22

## Aligning the Finderscope

Use the following steps to align the finderscope:

1. Locate a distant daytime object and center it in a low power (20mm) eyepiece in the main telescope.
2. Look through the finderscope (the eyepiece end of the finderscope) and take notice of the position of the same object.
3. Without moving the main telescope, turn the adjustment thumb screws located around the finderscope bracket until the crosshairs of the finderscope are centered on the object chosen with the main telescope.

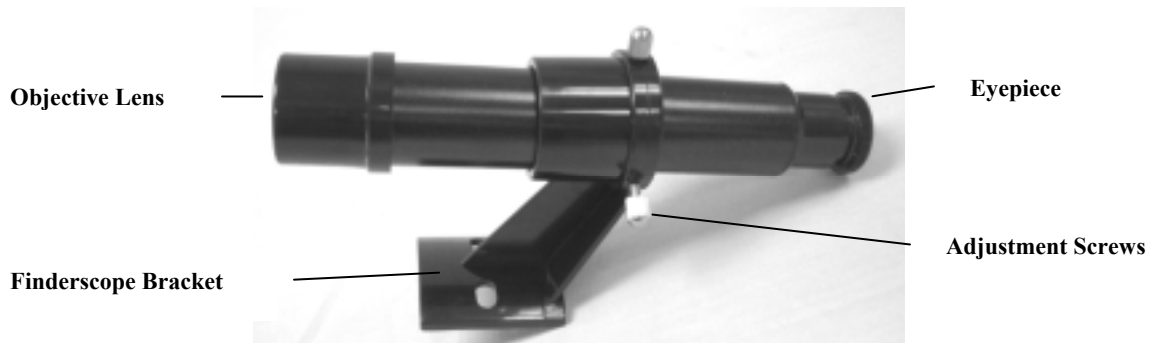


Figure 2-22a Finderscope with Bracket

## Installing and Using the Barlow Lens

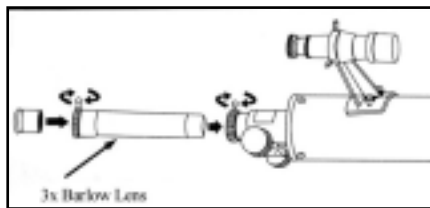


Figure 2-23

Your telescope also comes with a 3x Barlow Lens which triples the magnifying power of each eyepiece. However, the greatly magnified images should only be used under ideal conditions – see the “Calculating Magnification” section of this manual.

To use the Barlow lens with refractors, remove the diagonal and insert the Barlow directly into the focuser tube. You then insert an eyepiece into the Barlow lens for viewing. You can also, insert the diagonal into the Barlow lens and then use an eyepiece in the diagonal but you may not be able to reach focus with all eyepieces.

For Newtonian telescopes, insert the Barlow directly into the focuser. Then, insert an eyepiece into the Barlow lens.

**Note:** Start by using a low power eyepiece as it will be easier to focus.

3x Barlow Lens Magnification					
	60EQ	70EQ	80EQ	114EQ	127EQ
w/20mm Eyepiece	135x	105x	135x	135x	150x
w/4mm Eyepiece	675x	525x	675x	675x	450x

## ***Moving the Telescope Manually***



**Figure 2-24**

Dec. Lock Knob on top of Dec. circle  
& R.A. Lock Knob on top of R.A.  
circle

In order to properly use your telescope, you will need to move your telescope manually at various portions of the sky to observe different objects. To make rough adjustments, loosen the R.A. and Dec. locking knobs slightly and move the telescope in the desired direction. To make fine adjustments, when the knobs are locked you turn the slow motion control cables.

Both the R.A. and Dec. axis have locking knobs to clutch down each axis of the telescope. To loosen the clutches on the telescope, unlock the locking knobs.

## ***Balancing the Mount in R.A.***

To eliminate undue stress on the mount, the telescope should be properly balanced around the polar axis. In addition, proper balancing is crucial for accurate tracking if using an optional motor drive. To balance the mount:

1. Release the R.A. lock knob (see figure 2-24) and position the telescope off to one side of the mount (make sure that the dovetail mounting bracket knob is tight). The counterweight bar will extend horizontally on the opposite side of the mount (see figure 2-25).
2. Release the telescope — **GRADUALLY** — to see which way the telescope “rolls” or falls.
3. Loosen the counterweight locking knob on the counterweights (one at a time if you have two counterweights) while holding the counterweight(s) and slowly release them.
4. Move the counterweight to a point where they balance the telescope (i.e., it remains stationary when the R.A. lock knob is released).
5. Tighten the locking knobs to hold the counterweights in place.

## ***Balancing the Mount in Dec.***

The telescope should also be balanced on the declination axis to prevent any sudden motions when the Dec. lock knob (Fig 2-24) is released. To balance the telescope in Dec.:

1. Release the R.A. locking knob and rotate the telescope so that it is on one side of the mount (i.e., as described in the previous section on balancing the telescope in R.A.).
2. Lock the R.A. locking knob to hold the telescope in place.
3. Release the Dec. locking knob and rotate the telescope until the tube is parallel to the ground (figure 2-26).
4. Release the tube — **GRADUALLY** — to see which way it rotates around the declination axis. **DO NOT LET GO OF THE TELESCOPE TUBE COMPLETELY!**
5. For the 70EQ, 80EQ, 114EQ, and 127EQ --- while holding the optical tube with one hand, loosen the knurled screws that hold the telescope tube inside the tube rings and slide the telescope either forwards or backwards until it remains stationary when the Dec. lock knob is released. There is no adjustment for the 60EQ as it is fixed in place on the mounting bracket of the mount.
6. Tighten the tube ring screws firmly to hold the telescope in place.

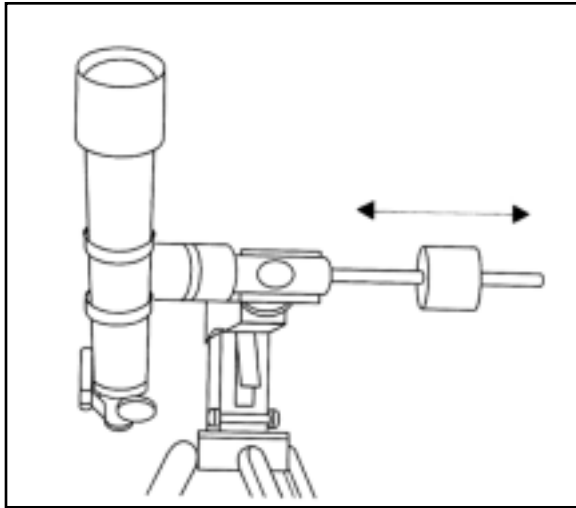


Figure 2-25

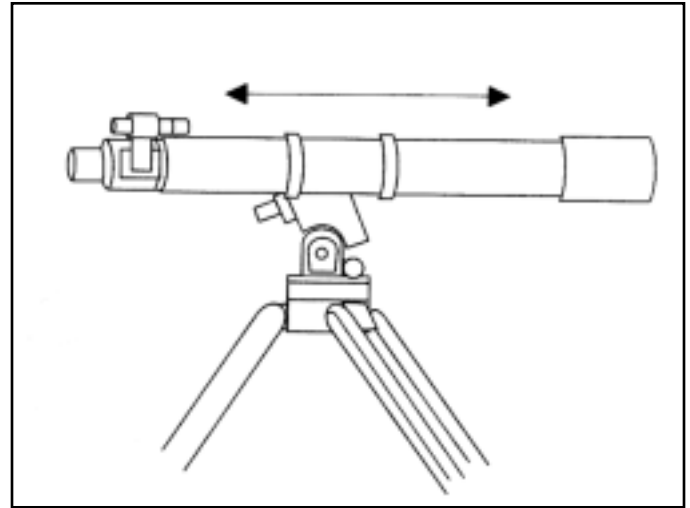


Figure 2-26

## ***Adjusting the Equatorial Mount***

In order for a motor drive to track accurately, the telescope's axis of rotation must be parallel to the Earth's axis of rotation, a process known as polar alignment. Polar alignment is achieved NOT by moving the telescope in R.A. or Dec., but by adjusting the mount vertically, which is called altitude. This section simply covers the correct movement of the telescope during the polar alignment process. The actual process of polar alignment, that is making the telescope's axis of rotation parallel to the Earth's, is described later in this manual in the section on "Polar Alignment."

## ***Adjusting the Mount in Altitude***

- To increase the latitude of the polar axis, loosen the latitude locking bolt slightly -- Figure 2-27.
- To increase or decrease the latitude of the polar axis, tighten or loosen the latitude adjustment screw. Then, tighten the latitude locking bolt securely. Be careful when turning the screws to avoid hitting your fingers or having them scrapped on other screws, etc.

The latitude adjustment on the PowerSeeker mount has a range from approximately 20° to 60°.

It is best to always make final adjustments in altitude by moving the mount against gravity (i.e. using the rear latitude adjustment screw to raise the mount). To do this you should loosen the latitude adjustment screw and then manually push the front of the mount down as far as it will go. Then tighten the adjustment screw to raise the mount to the desired latitude.

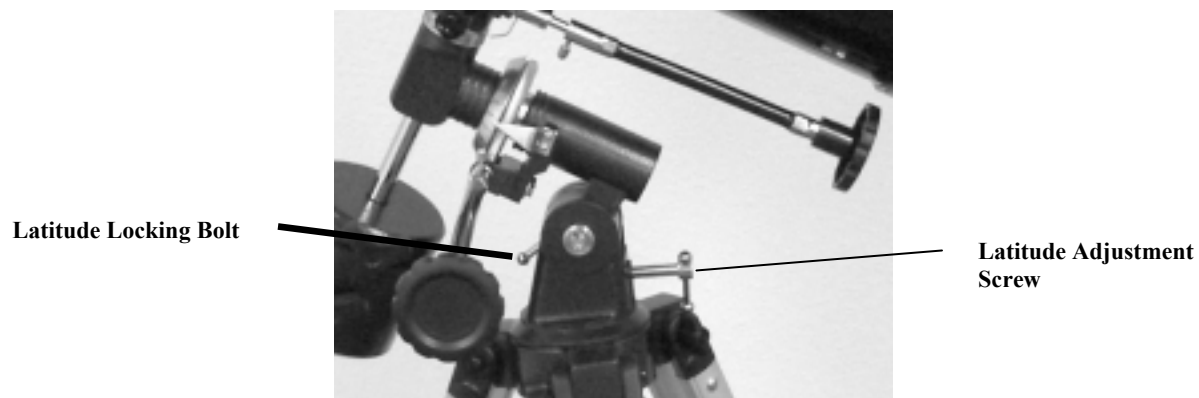


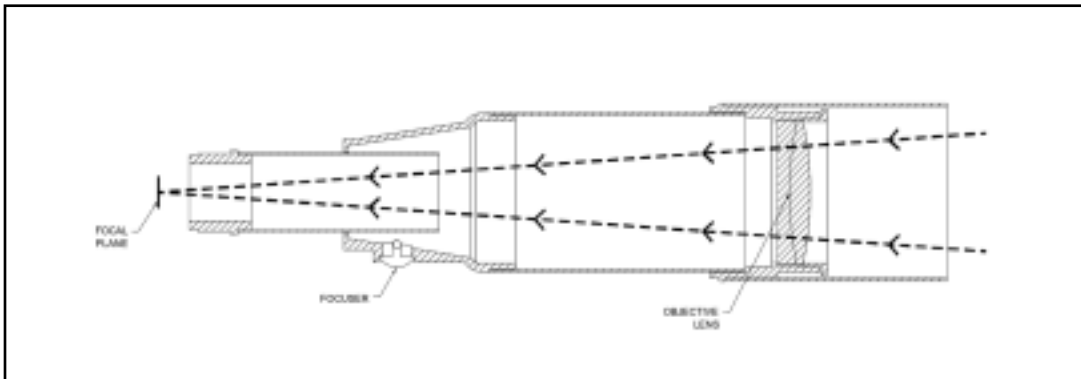
Figure 2-27



# CELESTRON Telescope Basics

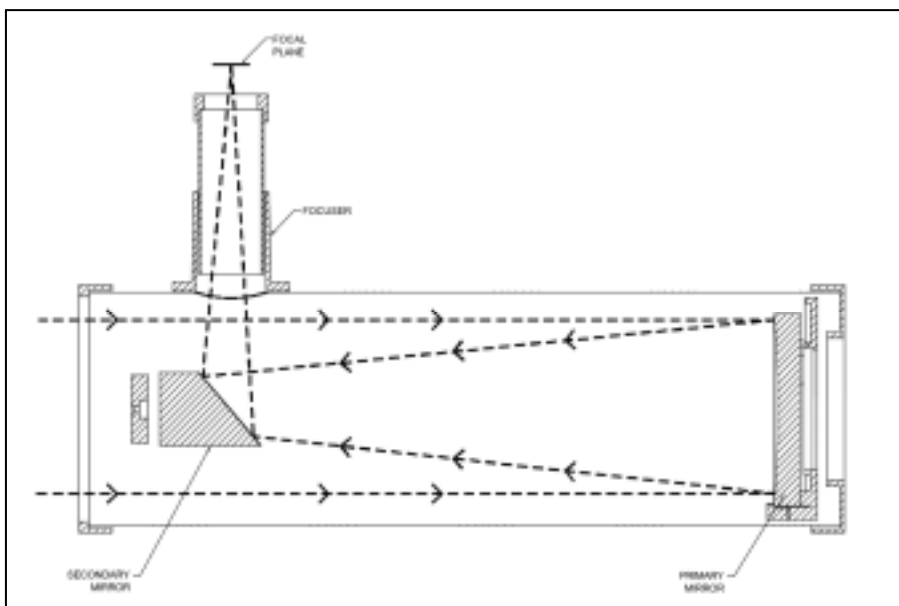
A telescope is an instrument that collects and focuses light. The nature of the optical design determines how the light is focused. Some telescopes, known as refractors, use lenses, and other telescopes, known as reflectors (Newtonians), use mirrors.

Developed in the early 1600s, the **refractor** is the oldest telescope design. It derives its name from the method it uses to focus incoming light rays. The refractor uses a lens to bend or refract incoming light rays, hence the name (see Figure 3-1). Early designs used single element lenses. However, the single lens acts like a prism and breaks light down into the colors of the rainbow, a phenomenon known as chromatic aberration. To get around this problem, a two-element lens, known as an achromat, was introduced. Each element has a different index of refraction allowing two different wavelengths of light to be focused at the same point. Most two-element lenses, usually made of crown and flint glasses, are corrected for red and green light. Blue light may still be focused at a slightly different point.



**Figure 3-1**  
*A cutaway view of the light path of the Refractor optical design*

A **Newtonian** reflector uses a single concave mirror as its primary. Light enters the tube traveling to the mirror at the back end. There light is bent forward in the tube to a single point, its focal point. Since putting your head in front of the telescope to look at the image with an eyepiece would keep the reflector from working, a flat mirror called a *diagonal* intercepts the light and points it out the side of the tube at right angles to the tube. The eyepiece is placed there for easy viewing.



**Figure 3-2**  
*Cutaway view of the light path of the Newtonian optical design*

Newtonian Reflector telescopes replace heavy lenses with mirrors to collect and focus the light, providing much more light-gathering power for the money spent. Because the light path is intercepted and reflected out to the side, you can have focal lengths up to 1000mm and still enjoy a telescope that is relatively compact and portable. A Newtonian Reflector telescope offers such impressive light-gathering characteristics you can take a serious interest in deep space astronomy even on a modest budget. Newtonian Reflector telescopes do require more care and maintenance because the primary mirror is exposed to air and dust. However, this small drawback does not hamper this type of telescope's popularity with those who want an economical telescope that can still resolve faint, distant objects.

## Image Orientation

The image orientation changes depending on how the eyepiece is inserted into the telescope. When using a star diagonal with refractors, the image is right-side-up, but reversed from left-to-right (i.e., mirror image). If inserting the eyepiece directly into the focuser of a refractor (i.e., without the diagonal), the image is upside-down and reversed from left-to-right (i.e., inverted). However, when using the PowerSeeker refractor and the standard erect image diagonal, the image is correctly oriented in every aspect.

Newtonian reflectors produce a right-side-up image but the image will appear rotated based on the location of the eyepiece holder in relation to the ground. However, by using the erect image eyepiece supplied with the PowerSeeker Newtonians, the image is correctly oriented



Figure 3-3

## Focusing

To focus your refractor or Newtonian telescope, simply turn the focus knob located directly below the eyepiece holder (see Figures 2-20 and 2-21). Turning the knob clockwise allows you to focus on an object that is farther than the one you are currently observing. Turning the knob counterclockwise from you allows you to focus on an object closer than the one you are currently observing.

**Note:** If you wear corrective lenses (specifically glasses), you may want to remove them when observing with an eyepiece attached to the telescope. However, when using a camera you should always wear corrective lenses to ensure the sharpest possible focus. If you have astigmatism, corrective lenses must be worn at all times.

## Calculating Magnification

You can change the power of your telescope just by changing the eyepiece (ocular). To determine the magnification of your telescope, simply divide the focal length of the telescope by the focal length of the eyepiece used. In equation format, the formula looks like this:

$$\text{Magnification} = \frac{\text{Focal Length of Telescope (mm)}}{\text{Focal Length of Eyepiece (mm)}}$$

Let's say, for example, you are using the 20mm eyepiece that came with your telescope. To determine the magnification you divide the focal length of your telescope (the PowerSeeker 80EQ for this example has a focal length of 900mm) by the focal length of the eyepiece, 20mm. Dividing 900 by 20 yields a magnification of 45x.

Although the power is variable, each instrument under average skies has a limit to the highest useful magnification. The general rule is that 60 power can be used for every inch of aperture. For example, the PowerSeeker 80EQ is 3.1" inches in diameter. Multiplying 3.1 by 80 gives a maximum useful magnification of 189 power. Although this is the maximum useful magnification, most observing is done in the range of 20 to 35 power for every inch of aperture which is 62 to 109 times for the PowerSeeker 80EQ telescope. You can determine the magnification for your telescope the same way.

## ***Determining Field of View***

Determining the field of view is important if you want to get an idea of the angular size of the object you are observing. To calculate the actual field of view, divide the apparent field of the eyepiece (supplied by the eyepiece manufacturer) by the magnification. In equation format, the formula looks like this:

$$\text{True Angular Field} = \frac{\text{Apparent Field of Eyepiece}}{\text{Magnification}}$$

As you can see, before determining the field of view, you must calculate the magnification. Using the example in the previous section, we can determine the field of view using the same 20mm eyepiece that is supplied standard with the PowerSeeker 80EQ telescope. The 20mm eyepiece has an apparent field of view of 50°. Divide the 50° by the magnification, which is 45 power. This yields an actual (true) field of 1.1°.

To convert degrees to feet at 1,000 yards, which is more useful for terrestrial observing, simply multiply by 52.5. Continuing with our example, multiply the angular field of 1.1° by 52.5. This produces a linear field width of 58 feet at a distance of one thousand yards.

## ***General Observing Hints***

When working with any optical instrument, there are a few things to remember to ensure you get the best possible image.

- Never look through window glass. Glass found in household windows is optically imperfect, and as a result, may vary in thickness from one part of a window to the next. This inconsistency can and will affect the ability to focus your telescope. In most cases you will not be able to achieve a truly sharp image, while in some cases, you may actually see a double image.
- Never look across or over objects that are producing heat waves. This includes asphalt parking lots on hot summer days or building rooftops.
- Hazy skies, fog, and mist can also make it difficult to focus when viewing terrestrially. The amount of detail seen under these conditions is greatly reduced.
- If you wear corrective lenses (specifically glasses), you may want to remove them when observing with an eyepiece attached to the telescope. When using a camera, however, you should always wear corrective lenses to ensure the sharpest possible focus. If you have astigmatism, corrective lenses must be worn at all times.

# **CELESTRON** **Astronomy Basics**

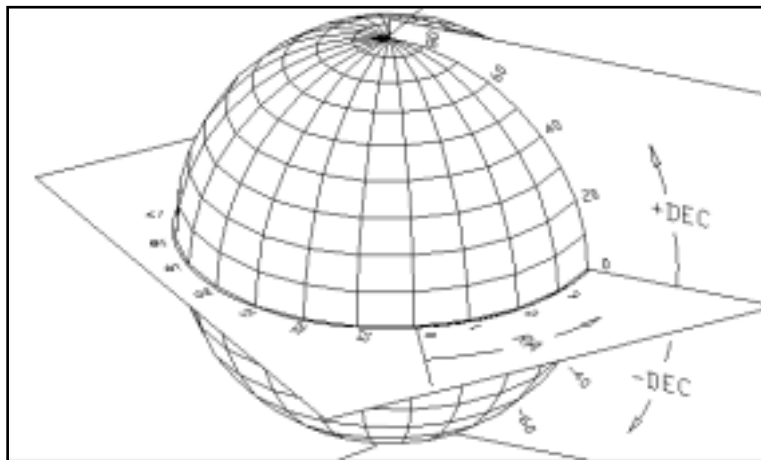
Up to this point, this manual covered the assembly and basic operation of your telescope. However, to understand your telescope more thoroughly, you need to know a little about the night sky. This section deals with observational astronomy in general and includes information on the night sky and polar alignment.

## **The Celestial Coordinate System**

To help find objects in the sky, astronomers use a celestial coordinate system that is similar to our geographical co-ordinate system here on Earth. The celestial coordinate system has poles, lines of longitude and latitude, and an equator. For the most part, these remain fixed against the background stars.

The celestial equator runs 360 degrees around the Earth and separates the northern celestial hemisphere from the southern. Like the Earth's equator, it bears a reading of zero degrees. On Earth this would be latitude. However, in the sky this is referred to as declination, or DEC for short. Lines of declination are named for their angular distance above and below the celestial equator. The lines are broken down into degrees, minutes of arc, and seconds of arc. Declination readings south of the equator carry a minus sign (-) in front of the coordinate and those north of the celestial equator are either blank (i.e., no designation) or preceded by a plus sign (+).

The celestial equivalent of longitude is called Right Ascension, or R.A. for short. Like the Earth's lines of longitude, they run from pole to pole and are evenly spaced 15 degrees apart. Although the longitude lines are separated by an angular distance, they are also a measure of time. Each line of longitude is one hour apart from the next. Since the Earth rotates once every 24 hours, there are 24 lines total. As a result, the R.A. coordinates are marked off in units of time. It begins with an arbitrary point in the constellation of Pisces designated as 0 hours, 0 minutes, 0 seconds. All other points are designated by how far (i.e., how long) they lag behind this coordinate after it passes overhead moving toward the west.

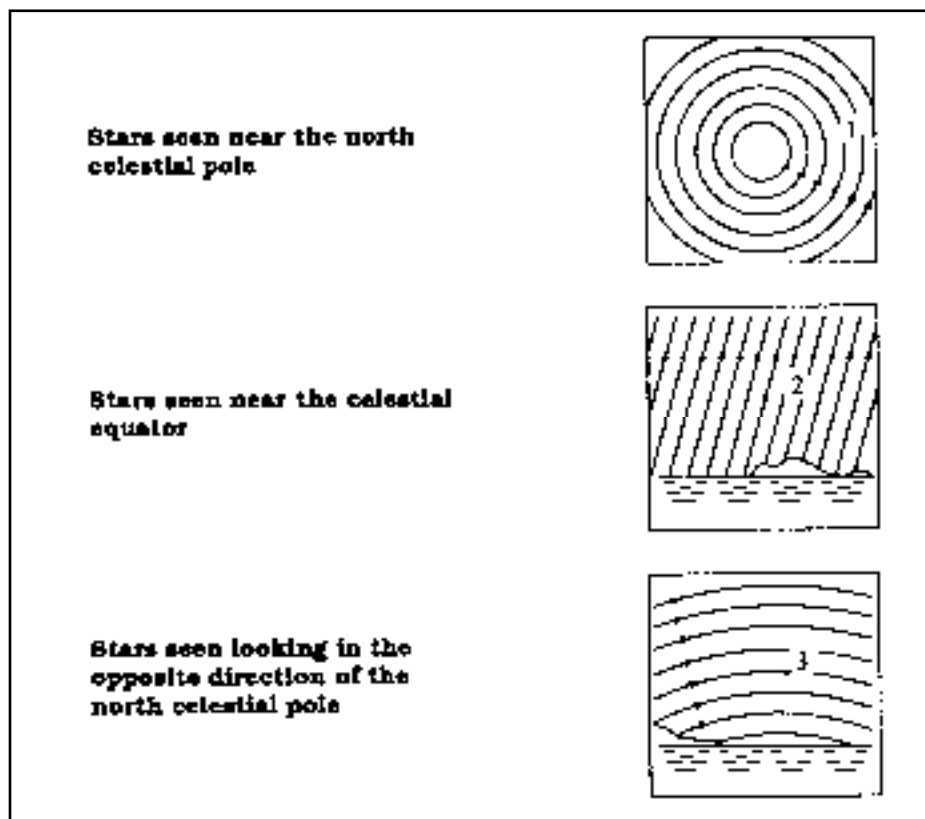


**Figure 4-1**  
The celestial sphere seen from the outside showing R.A. and DEC.

## **Motion of the Stars**

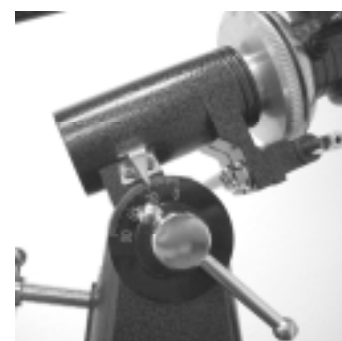
The daily motion of the Sun across the sky is familiar to even the most casual observer. This daily trek is not the Sun moving as early astronomers thought, but the result of the Earth's rotation. The Earth's rotation also causes the stars to do the same, scribing out a large circle as the Earth completes one rotation. The size of the circular path a star follows depends on where it is in the sky. Stars near the celestial equator form the largest circles rising in the east and setting in the west. Moving toward the north celestial pole, the point around which the stars in the northern hemisphere appear to rotate, these circles become smaller. Stars in the mid-celestial latitudes rise in the northeast and set in the northwest. Stars at high celestial latitudes are always above the horizon, and are said to be circumpolar because they never rise and never set. You will never see the stars complete one circle because the sunlight during the day washes out the starlight. However, part of this circular motion of stars in this region of the sky can be seen by setting up a camera on a tripod and opening the shutter for a couple hours. The timed exposure will reveal semicircles that revolve around the pole. (This description of stellar motions also applies to the southern hemisphere except all stars south of the celestial equator move around the south celestial pole.)





**Figure 4-2**

All stars appear to rotate around the celestial poles. However, the appearance of this motion varies depending on where you are looking in the sky. Near the north celestial pole the stars scribe out recognizable circles centered on the pole (1). Stars near the celestial equator also follow circular paths around the pole. But, the complete path is interrupted by the horizon. These appear to rise in the east and set in the west (2). Looking toward the opposite pole, stars curve or arc in the opposite direction scribing a circle around the opposite pole (3).



**Figure 4-3**

## ***Polar Alignment with the Latitude Scale***

The easiest way to polar align a telescope is with a latitude scale. Unlike other methods that require you to find the celestial pole by identifying certain stars near it, this method works off of a known constant to determine how high the polar axis should be pointed. The PowerSeeker equatorial mount can be adjusted from about 20 to 60 degrees (see figure 4-3).

The constant, mentioned above, is a relationship between your latitude and the angular distance the celestial pole is above the northern (or southern) horizon. The angular distance from the northern horizon to the north celestial pole is always equal to your latitude. To illustrate this, imagine that you are standing on the north pole, latitude  $+90^\circ$ . The north celestial pole, which has a declination of  $+90^\circ$ , would be directly overhead (i.e.,  $90^\circ$  above the horizon). Now, let's say that you move one degree south — your latitude is now  $+89^\circ$  and the celestial pole is no longer directly overhead. It has moved one degree closer toward the northern horizon. This means the pole is now  $89^\circ$  above the northern horizon. If you move one degree further south, the same thing happens again. You would have to travel 70 miles north or south to change your latitude by one degree. As you can see from this example, the distance from the northern horizon to the celestial pole is always equal to your latitude.

If you are observing from Los Angeles, which has a latitude of  $34^\circ$ , then the celestial pole is  $34^\circ$  above the northern horizon. All a latitude scale does then is to point the polar axis of the telescope at the right elevation above the northern (or southern) horizon.

To align your telescope:

1. Make sure the polar axis of the mount is pointing due north. Use a landmark that you know faces north.
2. Level the tripod. Leveling the tripod is only necessary if using this method of polar alignment.
3. Adjust the mount in altitude until the latitude indicator points to your latitude. Moving the mount affects the angle the polar axis is pointing. For specific information on adjusting the equatorial mount, please see the section "Adjusting the Mount."

This method can be done in daylight, thus eliminating the need to fumble around in the dark. Although this method does **NOT** put you directly on the pole, it will limit the number of corrections you will make when tracking an object.

## Pointing at Polaris

This method utilizes Polaris as a guidepost to the north celestial pole. Since Polaris is less than a degree from the celestial pole, you can simply point the polar axis of your telescope at Polaris. Although this is by no means perfect alignment, it does get you within one degree. Unlike the previous method, this must be done in the dark when Polaris is visible.

1. Set the telescope up so that the polar axis is pointing north – see Figure 4-6.
2. Loosen the Dec. clutch knob and move the telescope so that the tube is parallel to the polar axis. When this is done, the declination setting circle will read  $+90^\circ$ . If the declination setting circle is not aligned, move the telescope so that the tube is parallel to the polar axis.
3. Adjust the mount in altitude and/or azimuth until Polaris is in the field of view of the finder.

**Remember, while Polar aligning, do NOT move the telescope in R.A. or DEC. You do not want to move the telescope itself, but the polar axis. The telescope is used simply to see where the polar axis is pointing.**

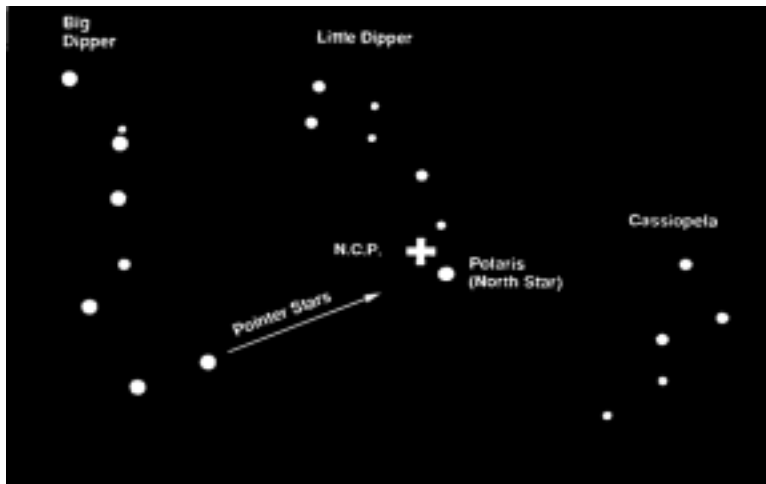
Like the previous method, this gets you close to the pole but not directly on it. The following method helps improve your accuracy for more serious observations and photography.

## Finding the North Celestial Pole

In each hemisphere, there is a point in the sky around which all the other stars appear to rotate. These points are called the celestial poles and are named for the hemisphere in which they reside. For example, in the northern hemisphere all stars move around the north celestial pole. When the telescope's polar axis is pointed at the celestial pole, it is parallel to the Earth's rotational axis.

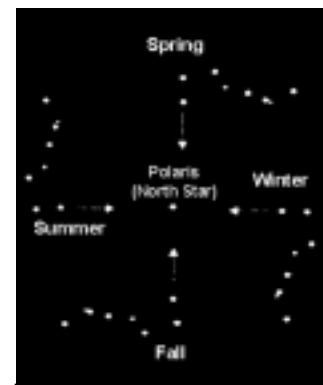
Many methods of polar alignment require that you know how to find the celestial pole by identifying stars in the area. For those in the northern hemisphere, finding the celestial pole is not too difficult. Fortunately, we have a naked eye star less than a degree away. This star, Polaris, is the end star in the handle of the Little Dipper. Since the Little Dipper (technically called Ursa Minor) is not one of the brightest constellations in the sky, it may be difficult to locate from urban areas. If this is the case, use the two end stars in the bowl of the Big Dipper (the pointer stars). Draw an imaginary line through them toward the Little Dipper. They point to Polaris (see Figure 4-5). The position of the Big Dipper (Ursa Major) changes during the year and throughout the course of the night (see Figure 4-4). When the Big Dipper is low in the sky (i.e., near the horizon), it may be difficult to locate. During these times, look for Cassiopeia (see Figure 4-5). Observers in the southern hemisphere are not as fortunate as those in the northern hemisphere. The stars around the south celestial pole are not nearly as bright as those around the north. The closest star that is relatively bright is Sigma Octantis. This star is just within naked eye limit (magnitude 5.5) and lies about 59 arc minutes from the pole.

*Definition: The north celestial pole is the point in the northern hemisphere around which all stars appear to rotate. The counterpart in the southern hemisphere is referred to as the south celestial pole.*



**Figure 4-5**

The two stars in the front of the bowl of the Big Dipper point to Polaris which is less than one degree from the true (north) celestial pole. Cassiopeia, the “W” shaped constellation, is on the opposite side of the pole from the Big Dipper. The North Celestial Pole (N.C.P.) is marked by the “+” sign.



**Figure 4-4**

The position of the Big Dipper changes throughout the year and the night.

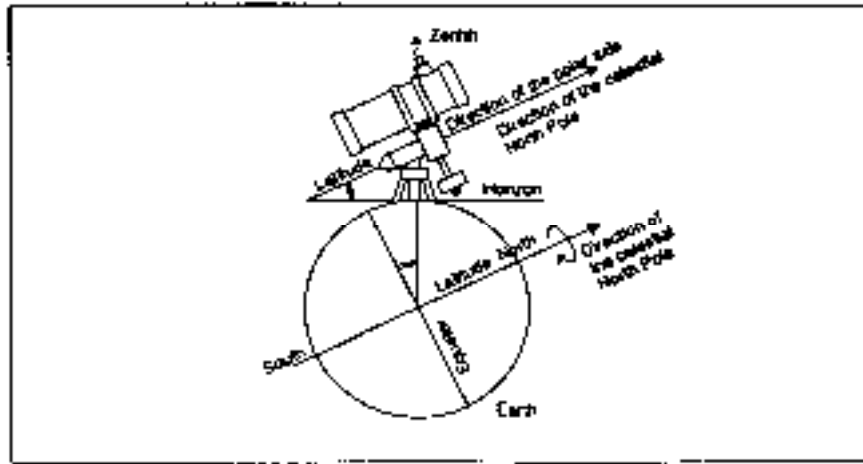


Figure 4-6

Aligning the equatorial mount to the polar axis of the Earth

## Polar Alignment in the Southern Hemisphere

Polar alignment to the South Celestial Pole (SCP) is a little more challenging due to the fact that there is no very bright star close to it like Polaris is in the NCP. There are various ways to polar align your telescope and for casual observing the methods below are adequate and will get you reasonably close to the SCP.

### Polar Alignment with the Latitude Scale

The easiest way to polar align a telescope is with a latitude scale. Unlike other methods that require you to find the celestial pole by identifying certain stars near it, this method works off of a known constant to determine how high the polar axis should be pointed.



Figure 4-7

The constant, mentioned above, is a relationship between your latitude and the angular distance the celestial pole is above the southern horizon. The angular distance from the southern horizon to the south celestial pole is always equal to your latitude. To illustrate this, imagine that you are standing on the south pole, latitude  $-90^\circ$ . The south celestial pole, which has a declination of  $-90^\circ$ , would be directly overhead (i.e.,  $90^\circ$  above the horizon). Now, let's say that you move one degree north — your latitude is now  $-89^\circ$  and the celestial pole is no longer directly overhead. It has moved one degree closer toward the southern horizon. This means the pole is now  $89^\circ$  above the southern horizon. If you move one degree further north, the same thing happens again. You would have to travel 70 miles north or south to change your latitude by one degree. As you can see from this example, the distance from the southern horizon to the celestial pole is always equal to your latitude.

If you are observing from Sydney, which has a latitude of  $-34^\circ$ , then the celestial pole is  $34^\circ$  above the southern horizon. All a latitude scale does then is to point the polar axis of the telescope at the right elevation above the southern horizon. To align your telescope:

1. Make sure the polar axis of the mount is pointing due south. Use a landmark that you know faces south.
2. Level the tripod. Leveling the tripod is only necessary if using this method of polar alignment.
3. Adjust the mount in altitude until the latitude indicator points to your latitude. Moving the mount affects the angle the polar axis is pointing. For specific information on adjusting the equatorial mount, please see the section "Adjusting the Mount" in your telescope manual.
4. If the above is done correctly, you should be able to observe near the pole through the finderscope and a low power eyepiece.

This method can be done in daylight, thus eliminating the need to fumble around in the dark. Although this method does **NOT** put you directly on the pole, it will limit the number of corrections you will make when tracking an object.

## Pointing at Sigma Octantis

This method utilizes Sigma Octantis as a guidepost to the celestial pole. Since Sigma Octantis is about  $1^\circ$  degree from the south celestial pole, you can simply point the polar axis of your telescope at Sigma Octantis. Although this is by no means perfect alignment, it does get you within one degree. Unlike the previous method, this must be done in the dark when Sigma Octantis is visible. Sigma Octantis has a magnitude of 5.5 and may be difficult to see and a binocular may be helpful as well as the finderscope.

1. Set the telescope up so that the polar axis is pointing south.
2. Loosen the DEC clutch knob and move the telescope so that the tube is parallel to the polar axis. When this is done, the declination setting circle will read  $90^\circ$ . If the declination setting circle is not aligned, move the telescope so that the tube is parallel to the polar axis.
3. Adjust the mount in altitude and/or azimuth until Sigma Octantis is in the field of view of the finder.
4. If the above is done correctly, you should be able to observe near the pole through the finderscope and a low power eyepiece.

**Remember, while Polar aligning, do NOT move the telescope in R.A. or DEC. You do not want to move the telescope itself, but the polar axis. The telescope is used simply to see where the polar axis is pointing.**

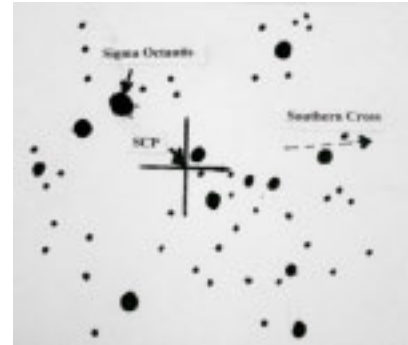


Figure 4-8

Like the previous method, this gets you close to the pole but not directly on it.

## Finding the South Celestial Pole (SCP)

This method helps improve your polar alignment and gets you closer to the pole than the above methods. This will improve your accuracy for more serious observations and photography.

In each hemisphere, there is a point in the sky around which all the other stars appear to rotate. These points are called the celestial poles and are named for the hemisphere in which they reside. For example, in the southern hemisphere all stars move around the south celestial pole. When the telescope's polar axis is pointed at the celestial pole, it is parallel to the Earth's rotational axis.

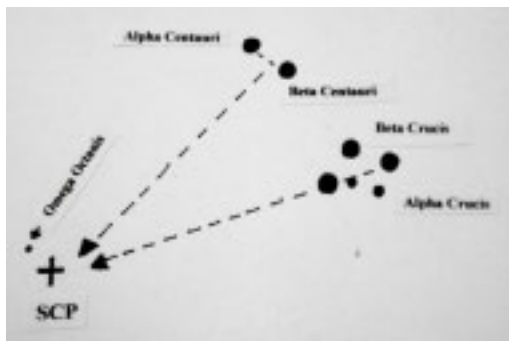


Figure 4-9

Many methods of polar alignment require that you know how to find the celestial pole by identifying stars in the area. Observers in the southern hemisphere are not as fortunate as those in the northern hemisphere. The stars around the south celestial pole are not nearly as bright as those around the north celestial pole. The closest star that is relatively bright is Sigma Octantis. This star is just within naked eye limit (magnitude 5.5) and lies about  $1^\circ$  from the south celestial pole but can be difficult to locate.

Therefore, with this method, you will use star patterns to find the south celestial pole. Draw an imaginary line toward the SCP through Alpha Centauri and Beta Centauri (which are in the Southern Cross). Draw another imaginary line toward the SCP at a right angle to a line connecting Alpha Centauri and Beta Centauri. The intersecting of these two imaginary lines will point you close to the south celestial pole.

## Aligning the Setting Circles

Before you can use the setting circles to find objects in the sky you need to align the R.A. setting circle which is incremented in minutes. The declination setting circle is scaled in degrees and it is factory set and should not need any adjustments. On the R.A. setting circle there are two sets of numbers on the dial – one for the northern hemisphere (top) and one for the southern hemisphere (bottom).

In order to align the R.A. setting circle, you will need to know the names of a few of the brightest stars in the sky. If you don't, they can be learned by using the Celestron Sky Maps (#93722) or consulting a current astronomy magazine.



**Figure 4-10**

Dec. Circle @ top and R.A. Circle @ bottom

To align the R.A. setting circle:

1. Locate a bright star near the celestial equator. The farther you are from the celestial pole the better your reading on the R.A. setting circle will be. The star you choose to align the setting circle with should be a bright one whose coordinates are known and easy to look up.
2. Center the star in the finderscope.
3. Look through the main telescope and see if the star is in the field. If not, find it and center it.
4. Look up the coordinates of the star.
5. Rotate the circle until the proper coordinate lines up with the R.A. indicator. The R.A. setting circle should rotate freely.

**NOTE:** Because the R.A. setting circle does **NOT** move as the telescope moves in R.A., the setting circle must be aligned each time you want to use it to find an object. However, you do not need to use a star each time. Instead, you can use the coordinates of the object you are currently observing.

Once the circles are aligned you can use them to find any objects with known coordinates. The accuracy of your setting circles is directly related to the accuracy of your polar alignment.

1. Select an object to observe. Use a seasonal star chart to make sure the object you chose is above the horizon. As you become more familiar with the night sky, this will no longer be necessary.
2. Look up the coordinates in a star atlas or reference book.
3. Hold the telescope and release the Dec. lock knob.
4. Move the telescope in declination until the indicator is pointing at the correct declination coordinate.
5. Lock the Dec. lock knob to prevent the telescope from moving.
6. Hold the telescope and release the R.A. lock knob.
7. Move the telescope in R.A. until the indicator points to the correct coordinate.
8. Lock the R.A. lock knob to prevent the telescope from slipping in R.A.
9. Look through the finderscope to see if you have located the object and center the object in the finderscope.
10. Look in the main optics and the object should be there. For some of the fainter objects, you may not be able to see them in the finderscope. When this happens, it is a good idea to have a star chart of the area so that you can “star hop” through the field to your target.
11. This process can be repeated for each object throughout any given night.

## Motor Drive

To allow tracking of celestial objects, Celestron offers a single axis DC motor drive for the PowerSeeker equatorial mount. Once polar aligned, the motor drive will accurately track objects in Right Ascension as they move across the sky. Only minor adjustments in Declination will be necessary to keep celestial objects centered in the eyepiece for long periods of time. Some models come standard with this motor drive and it is sold as an optional accessory ( Model # 93514 ) for other models.

**Installation of the Motor Drive** – for those purchasing it as an optional accessory.

The motor drive attaches to the PowerSeeker equatorial mount via a flexible coupler that mounts to the R.A. slow motion shaft and a motor bracket that holds the motor in place. To install the motor drive see the description and photos below:

1. Make sure the R.A. slow motion cable is attached to the R.A. shaft opposite of the latitude scale.
2. Remove the Allen head bolt located on the side of the polar shaft.
3. Slide the open end of the flexible motor coupler over the R.A. shaft. Make sure that the screw on the flexible motor coupler is positioned over the flat portion of the R.A. shaft.
4. Tighten the motor coupler screw with a flathead screwdriver.
5. Rotate the motor on the shaft until the slotted cutout on the motor bracket aligns with the threaded hole in the center of the mount's latitude pivot axis.
6. Place the Allen head bolt through the motor bracket and thread it into the hole on the side of the pivot axis. Then, tighten the bolt with an Allen wrench.

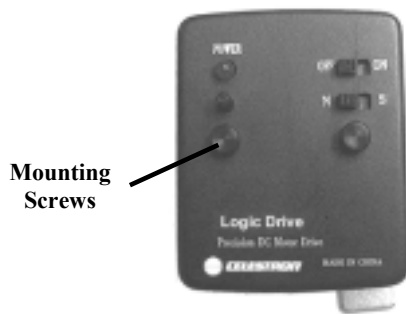


Figure 4-11

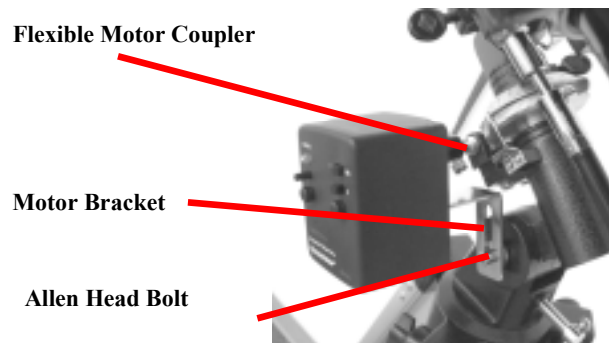


Figure 4-12

## Operating the Motor Drive

The motor drive is powered by one 9-volt alkaline battery. This can power the drive for up to 40 hours, depending on motor speed setting and ambient temperature. The battery should be installed already but if not (or replacing the battery), unscrew the two mounting screws – Figure 4-11. Remove the control panel plate from the motor assembly and then remove the motor bracket from the motor. Then, you will be able to get to the battery connected to cables for installing or replacing. Finally, reverse all steps to remount the motor drive to the mount.

The motor drive is equipped with a speed rate regulator (in Figure 4-11 it is above the mounting screw) that allows the motor drive to track at a faster or slower speed. This is useful when observing non-stellar objects like the moon or Sun which travel at a slightly different rate than the stars. To change the speed of the motor, slide the On/Off switch to the “ON” position and the red power indicator light will illuminate. Then, turn the speed rate regulator knob clockwise to increase the speed of the motor and counterclockwise to decrease the speed.

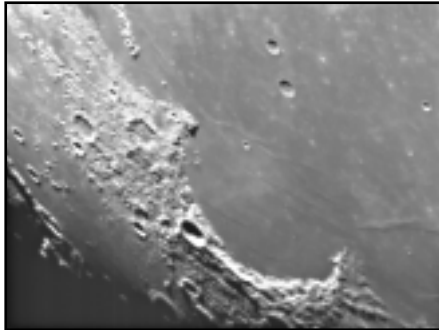
To determine the proper rate of speed, the telescope should be roughly polar aligned. Find a star on the celestial equator (approximately 0° declination) and center it in a low power eyepiece. Now turn the drive on and let the telescope track for 1 or 2 minutes. If after a few minutes, the star drifts to the West, the motor is tracking too slowly and you should increase the motor speed. If the star is drifting to the East, then decrease the motor speed. Repeat this process until the star remains centered in the eyepiece for several minutes. Remember to ignore any star drift in declination.

The drive also has a “N/S” switch to be set if operating in the Northern or Southern Hemisphere.

# **CELESTRON** **Celestial Observing**

With your telescope set up, you are ready to use it for observing. This section covers visual observing hints for both solar system and deep sky objects as well as general observing conditions which will affect your ability to observe.

## **Observing the Moon**



Often, it is tempting to look at the Moon when it is full. At this time, the face we see is fully illuminated and its light can be overpowering. In addition, little or no contrast can be seen during this phase.

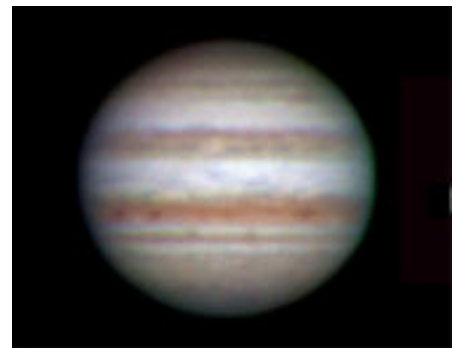
One of the best times to observe the Moon is during its partial phases (around the time of first or third quarter). Long shadows reveal a great amount of detail on the lunar surface. At low power you will be able to see most of the lunar disk at one time. Change to optional eyepieces for higher power (magnification) to focus in on a smaller area.

### **Lunar Observing Hints**

To increase contrast and bring out detail on the lunar surface, use optional filters. A yellow filter works well at improving contrast while a neutral density or polarizing filter will reduce overall surface brightness and glare.

## **Observing the Planets**

Other fascinating targets include the five naked eye planets. You can see Venus go through its lunar-like phases. Mars can reveal a host of surface detail and one, if not both, of its polar caps. You will be able to see the cloud belts of Jupiter and the great Red Spot (if it is visible at the time you are observing). In addition, you will also be able to see the moons of Jupiter as they orbit the giant planet. Saturn, with its beautiful rings, is easily visible at moderate power.



### **Planetary Observing Hints**

- Remember that atmospheric conditions are usually the limiting factor on how much planetary detail will be visible. So, avoid observing the planets when they are low on the horizon or when they are directly over a source of radiating heat, such as a rooftop or chimney. See the "Seeing Conditions" section later in this section.
- To increase contrast and bring out detail on the planetary surface, try using Celestron eyepiece filters.

## **Observing the Sun**

Although overlooked by many amateur astronomers, solar observation is both rewarding and fun. However, because the Sun is so bright, special precautions must be taken when observing our star so as not to damage your eyes or your telescope.

For safe solar viewing, use a proper solar filter that reduces the intensity of the Sun's light, making it safe to view. With a filter you can see sunspots as they move across the solar disk and faculae, which are bright patches seen near the Sun's edge.

- The best time to observe the Sun is in the early morning or late afternoon when the air is cooler.
- To center the Sun without looking into the eyepiece, watch the shadow of the telescope tube until it forms a circular shadow.

## Observing Deep-Sky Objects

Deep-sky objects are simply those objects outside the boundaries of our solar system. They include star clusters, planetary nebulae, diffuse nebulae, double stars and other galaxies outside our own Milky Way. Most deep-sky objects have a large angular size. Therefore, low-to-moderate power is all you need to see them. Visually, they are too faint to reveal any of the color seen in long exposure photographs. Instead, they appear black and white. And, because of their low surface brightness, they should be observed from a dark-sky location. Light pollution around large urban areas washes out most nebulae making them difficult, if not impossible, to observe. Light Pollution Reduction filters help reduce the background sky brightness, thus increasing contrast.

## Seeing Conditions

Viewing conditions affect what you can see through your telescope during an observing session. Conditions include transparency, sky illumination, and seeing. Understanding viewing conditions and the effect they have on observing will help you get the most out of your telescope.

### Transparency

Transparency is the clarity of the atmosphere which is affected by clouds, moisture, and other airborne particles. Thick cumulus clouds are completely opaque while cirrus can be thin, allowing the light from the brightest stars through. Hazy skies absorb more light than clear skies making fainter objects harder to see and reducing contrast on brighter objects. Aerosols ejected into the upper atmosphere from volcanic eruptions also affect transparency. Ideal conditions are when the night sky is inky black.

### Sky Illumination

General sky brightening caused by the Moon, aurora, natural airglow, and light pollution greatly affect transparency. While not a problem for the brighter stars and planets, bright skies reduce the contrast of extended nebulae making them difficult, if not impossible to see. To maximize your observing, limit deep sky viewing to moonless nights far from the light polluted skies found around major urban areas. LPR filters enhance deep sky viewing from light polluted areas by blocking unwanted light while transmitting light from certain deep sky objects. You can, on the other hand, observe planets and stars from light polluted areas or when the Moon is out.

### Seeing

Seeing conditions refers to the stability of the atmosphere and directly affects the amount of fine detail seen in extended objects. The air in our atmosphere acts as a lens which bends and distorts incoming light rays. The amount of bending depends on air density. Varying temperature layers have different densities and, therefore, bend light differently. Light rays from the same object arrive slightly displaced creating an imperfect or smeared image. These atmospheric disturbances vary from time-to-time and place-to-place. The size of the air parcels compared to your aperture determines the "seeing" quality. Under good seeing conditions, fine detail is visible on the brighter planets like Jupiter and Mars, and stars are pinpoint images. Under poor seeing conditions, images are blurred and stars appear as blobs.

The conditions described here apply to both visual and photographic observations.



**Figure 5-1**

Seeing conditions directly affect image quality. These drawings represent a point source (i.e., star) under bad seeing conditions (left) to excellent conditions (right). Most often, seeing conditions produce images that lie somewhere between these two extremes.



# **CELESTRON** **Astrography**

The PowerSeeker series of telescopes was designed for visual observing. After looking at the night sky for a while you may want to try your hand at photography of it. There are several forms of photography possible with your telescope for celestial as well as terrestrial pursuits. Below is just a very brief discussion of some of the methods of photography available and suggest you search out various books for detailed information on the subject matter.

As a minimum you will need a digital camera or a 35mm SLR camera. Attach your camera to the telescope with:

- Digital camera – you will need the Universal Digital Camera Adapter (# 93626). The adapter allows the camera to be mounted rigidly for terrestrial as well as prime focus astrophotography.
- 35mm SLR camera – you will need to remove your lens from the camera and attach a T-Ring for your specific camera brand. Then, you will need a T-Adapter (# 93625) to attach on one end to the T-Ring and the other end to the telescope focus tube. Your telescope is now the camera lens.

## **Short Exposure Prime Focus Photography**

Short exposure prime focus photography is the best way to begin imaging celestial objects. It is done by attaching your camera to the telescope as described in the paragraph above. A couple of points to keep in mind:

- Polar align the telescope and start the optional motor drive for tracking.
- You can image the Moon as well as the brighter planets. You will have to experiment with various settings and exposure times. Much information can be obtained from your camera instruction manual which can supplement what you can find in detailed books on the subject matter.
- Do your photography from a dark sky observing site if possible.

## **Piggyback Photography**



Figure 6-1

For the 70EQ, 80EQ, 114EQ, and 127EQ telescopes, piggyback photography is done with a camera and its normal lens riding on top of the telescope. Through this method you can capture entire constellations and record large scale nebulae. You attach your camera to the piggyback adapter screw (Figure 6-1) located on the top of the tube mounting ring (your camera will have a threaded hole on the bottom to fit this screw). You will need to polar align the telescope and start the optional motor drive for tracking.

## **Planetary & Lunar Photography with Special Imagers**

During the last few years a new technology has evolved which makes taking superb images of the planets and moon relatively easy and the results are truly amazing. Celestron offers the NexImage (# 93712) which is a special camera and included is software for image processing. You can capture planetary images your first night out which rivals what professionals were doing with large telescopes just a few short years ago.

## **CCD Imaging for Deep Sky Objects**

Special cameras have been developed for taking images of deep sky images. These have evolved over the last several years to become much more economical and amateurs can take fantastic images. Several books have been written on how to get the best images possible. The technology continues to evolve with better and easier to use products on the market.

## **Terrestrial Photography**

Your telescope makes an excellent telephoto lens for terrestrial (land) photography. You can take images of various scenic views, wildlife, nature, and just about anything. You will have to experiment with focusing, speeds, etc. to get the best image desired. You can adapt your camera per the instructions at the top of this page.



# Telescope Maintenance

While your telescope requires little maintenance, there are a few things to remember that will ensure your telescope performs at its best.

## **Care and Cleaning of the Optics**

Occasionally, dust and/or moisture may build up on the objective lens or primary mirror depending on which type of telescope you have. Special care should be taken when cleaning any instrument so as not to damage the optics.

If dust has built up on the optics, remove it with a brush (made of camel's hair) or a can of pressurized air. Spray at an angle to the glass surface for approximately two to four seconds. Then, use an optical cleaning solution and white tissue paper to remove any remaining debris. Apply the solution to the tissue and then apply the tissue paper to the optics. Low pressure strokes should go from the center of the lens (or mirror) to the outer portion. **Do NOT rub in circles!**

You can use a commercially made lens cleaner or mix your own. A good cleaning solution is isopropyl alcohol mixed with distilled water. The solution should be 60% isopropyl alcohol and 40% distilled water. Or, liquid dish soap diluted with water (a couple of drops per one quart of water) can be used.

Occasionally, you may experience dew build-up on the optics of your telescope during an observing session. If you want to continue observing, the dew must be removed, either with a hair dryer (on low setting) or by pointing the telescope at the ground until the dew has evaporated.

If moisture condenses on the inside of the optics, remove the accessories from the telescope. Place the telescope in a dust-free environment and point it down. This will remove the moisture from the telescope tube.

To minimize the need to clean your telescope, replace all lens covers once you have finished using it. Since the cells are NOT sealed, the covers should be placed over the openings when not in use. This will prevent contaminants from entering the optical tube.

Internal adjustments and cleaning should be done only by the Celestron repair department. If your telescope is in need of internal cleaning, please call the factory for a return authorization number and price quote.

## **Collimation of a Newtonian**

The optical performance of most Newtonian reflecting telescopes can be optimized by re-collimating (aligning) the telescope's optics, as needed. To collimate the telescope simply means to bring its optical elements into balance. Poor collimation will result in optical aberrations and distortions.

Before collimating your telescope, take time to familiarize yourself with all its components. The primary mirror is the large mirror at the back end of the telescope tube. This mirror is adjusted by loosening and tightening the three screws, placed 120 degrees apart, at the end of the telescope tube. The secondary mirror (the small, elliptical mirror under the focuser, in the front of the tube) also has three adjustment screws (you will need optional tools (described below) to perform collimation. To determine if your telescope needs collimation first point your telescope toward a bright wall or blue sky outside.

### **Aligning the Secondary Mirror**

The following describes the procedure for daytime collimation of your telescope using the optional Newtonian Collimation Tool (#94183) offered by Celestron. To collimate the telescope without the Collimation Tool, read the following section on night time star collimation. For very precise collimation, the optional Collimation Eyepiece 1 1/4" (#94182) is offered.

If you have an eyepiece in the focuser, remove it. Rack the focuser tube in completely, using the focusing knobs, until its silver tube is no longer visible. You will be looking through the focuser at a reflection of the secondary mirror, projected from the primary mirror. During this step, ignore the silhouetted reflection from the primary mirror. Insert the collimating cap into the focuser and look through it. With the focus pulled in all the way, you should be able to see the entire primary mirror reflected in the secondary mirror. If the primary mirror is not centered in the secondary mirror, adjust the secondary mirror screws by alternately tightening and loosening them until the periphery of the primary mirror is centered in your view. **DO NOT** loosen or tighten the center screw in the secondary mirror support, because it maintains proper mirror position.

## Aligning the Primary Mirror

Now adjust the primary mirror screws to re-center the reflection of the small secondary mirror, so it's silhouetted against the view of the primary. As you look into the focuser, silhouettes of the mirrors should look concentric. Repeat steps one and two until you have achieved this.

Remove the collimating cap and look into the focuser, where you should see the reflection of your eye in the secondary mirror.

### Newtonian collimation views as seen through the focuser using the collimating cap

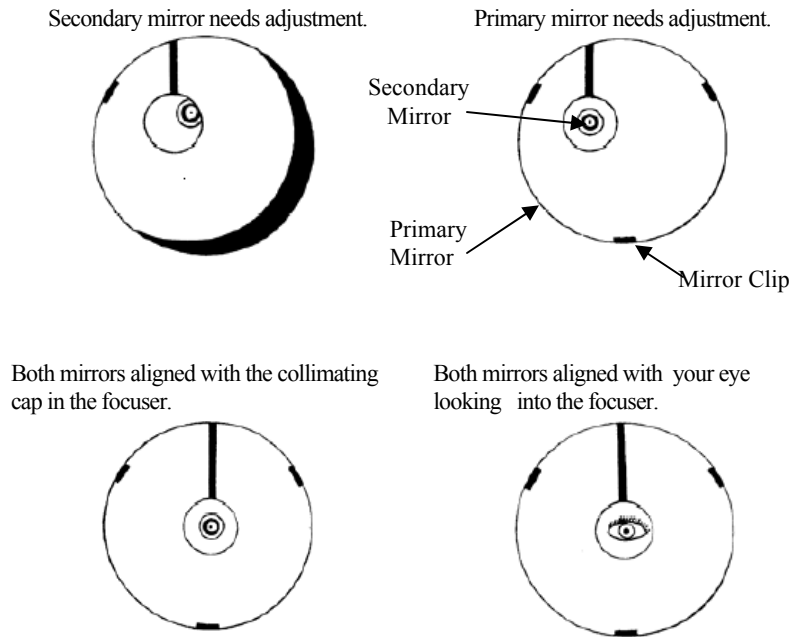


Figure 7-1 PowerSeeker 114EQ

## Night Time Star Collimating

After successfully completing daytime collimation, night time star collimation can be done by closely adjusting the primary mirror while the telescope tube is on its mount and pointing at a bright star. The telescope should be set up at night and a star's image should be studied at medium to high power (30-60 power per inch of aperture). If a non-symmetrical focus pattern is present, then it may be possible to correct this by re-collimating only the primary mirror.

### Procedure (Please read this section completely before beginning):

To star collimate in the Northern Hemisphere, point at a stationary star like the North Star (Polaris). It can be found in the north sky, at a distance above the horizon equal to your latitude. It's also the end star in the handle of the Little Dipper. Polaris is not the brightest star in the sky and may even appear dim, depending upon your sky conditions. For the Southern Hemisphere, point at Sigma Octantis.

Prior to re-collimating the primary mirror, locate the collimation screws on the rear of the telescope tube. The rear cell (shown in Figure 7-1) has three large thumbscrews (on some models they are not thumbscrews) which are used for collimation and three small thumbscrews which are used to lock the mirror in place. The collimation screws tilt the primary mirror. You will start by loosening the small locking screws a few turns each. Normally, motions on the order of an  $\frac{1}{8}$  turn will make a difference, with approximately a  $\frac{1}{2}$  to  $\frac{3}{4}$  turn being the maximum required for the large collimation screws. Turn one collimation screw at a time and with a collimation tool or eyepiece see how the collimation is affected (see the following paragraph below). It will take some experimenting but you will eventually get the centering you desire.

It is best to use the optional collimation tool or collimating eyepiece. Look into the focuser and notice if the secondary reflection has moved closer to the center of the primary mirror.

With Polaris or a bright star centered within the field of view, focus with either the standard ocular or your highest power ocular, i.e. the shortest focal length in mm, such as a 6mm or 4mm. Another option is to use a longer focal length ocular with a Barlow lens. When a star is in focus it should look like a sharp pinpoint of light. If, when focusing on the star, it is irregular in shape or appears to have a flare of light at its edge, this means your mirrors aren't in alignment. If you notice the appearance of a flare of light from the star that remains stable in location, just as you go in and out of exact focus, then re-collimation will help sharpen the image.

When satisfied with the collimation, tighten the small locking screws



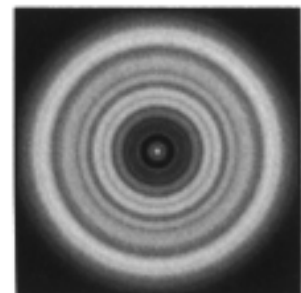
**Figure 7-2**

Even though the star pattern appears the same on both sides of focus, they are asymmetric. The dark obstruction is skewed off to the left side of the diffraction pattern indicating poor collimation.

Take note of the direction the light appears to flare. For example, if it appears to flare toward the three o'clock position in the field of view, then you must move whichever screw or combination of collimation screws necessary to move the star's image toward the direction of the flaring. In this example, you would want to move the image of the star in your eyepiece, by adjusting the collimation screws, toward the three o'clock position in the field of view. It may only be necessary to adjust a screw enough to move the star's image from the center of the field of view to about halfway, or less, toward the field's edge (when using a high power ocular).

Collimation adjustments are best made while viewing the star's position in the field of view and turning the adjustment screws simultaneously. This way, you can see exactly which way the movement occurs. It may be helpful to have two people working together: one viewing and instructing which screws to turn and by how much, and the other performing the adjustments.

**IMPORTANT:** After making the first, or each adjustment, it is necessary to re-aim the telescope tube to re-center the star again in the center of the field of view. The star image can then be judged for symmetry by going just inside and outside of exact focus and noting the star's pattern. Improvement should be seen if the proper adjustments are made. Since three screws are present, it may be necessary to move at least two to achieve the necessary mirror movement.



**Figure 7-3**

A collimated telescope should appear as a symmetrical ring pattern similar to the diffraction disk seen here.

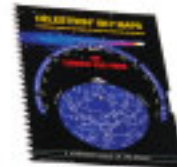


# **CELESTRON**

## **Optional Accessories**

You will find that additional accessories for your PowerSeeker telescope will enhance your viewing pleasure and expand the usefulness of your telescope. This is just a short listing of various accessories with a brief description. Visit the Celestron website or the Celestron Accessory Catalog for complete descriptions and all accessories available.

**Sky Maps (# 93722)** – Celestron Sky Maps are the ideal teaching guide for learning the night sky. Even if you already know your way around the major constellations, these maps can help you locate all kinds of fascinating objects.



**Omni Plossl Eyepieces** – These eyepieces are economically priced and offer razor sharp views across the entire field. They are a 4-element lens design and have the following focal lengths: 4mm, 6mm, 9mm, 12.5mm, 15mm, 20mm, 25mm, 32mm, and 40mm – all in 1.25” barrels.

**Omni Barlow Lens (# 93326)** – Used with any eyepiece, it doubles the magnification of that eyepiece. A Barlow lens is a negative lens that increases the focal length of a telescope. The 2x Omni is a 1.25” barrel, is under 3” (76mm) long, and weighs only 4oz. (113gr.).

**Moon Filter (# 94119-A)** – This is an economical 1.25” eyepiece filter for reducing the brightness of the moon and improving contrast, so greater detail can be observed on the lunar surface.



**UHC/LPR Filter 1.25” (# 94123)** – This filter is designed to enhance your views of deep sky astronomical objects when viewed from urban areas. It selectively reduces the transmission of certain wavelengths of light, specifically those produced by artificial lights.

**Flashlight, Night Vision (# 93588)** – The Celestron flashlight uses two red LED’s to preserve night vision better than red filters or other devices. Brightness is adjustable. Operates on a single 9-volt included battery.

**Collimation Tool (# 94183)** – Collimating your Newtonian telescope is easily accomplished with this handy accessory which includes detailed instructions.

**Collimation Eyepiece – 1.25” (# 94182)** – The collimation eyepiece is ideal for precise collimation of Newtonian telescopes.

**Digital Camera Adapter – Universal (# 93626)** – A universal mounting platform that allows you to do afocal photography (photography through the eyepiece of a telescope) using 1.25” eyepieces with your digital camera.



**T-Adapter – Universal 1.25” (# 93625)** – This adapter fits the 1.25” focuser of your telescope. It allows you to attach your 35mm SLR camera for terrestrial as well as lunar and planetary photography.

**Motor Drive (# 93514)** – A single axis (R.A.) motor drive for the PowerSeeker telescopes compensates for the earth’s rotation keeping an object in the eyepiece field of view. This makes observing much more enjoyable and eliminates the constant use of the manual slow motion controls.

<b>POWERSEEKER SPECIFICATIONS</b>						
Model Number	<b>21043</b>	<b>21037</b>	<b>21048</b>	<b>21045</b>	<b>21049</b>	
Description	<b>PS 60EQ</b>	<b>PS 70EQ</b>	<b>PS 80EQ</b>	<b>PS 114EQ</b>	<b>PS 127EQ</b>	
Optical Design	Refractor	Refractor	Refractor	Newtonian	Newtonian	
Aperture	60mm (2.4")	70mm (2.8")	80mm (3.1")	114mm (4.5")	127mm (5")	
Focal Length	900mm	700mm	900mm	900mm	1000mm	
Focal Ratio	f/15	f/10	f/11	f/8	f/8	
Optical Coatings	Fully Coated	Fully Coated	Fully Coated	Fully Coated	Fully Coated	
Finderscope	5x24	5x24	5x24	5x24	5x24	
Diagonal 1.25"	Erect Image	Erect Image	Erect Image	n/a	n/a	
Eyepieces 1.25"	20mm (45x)	20mm (35x)	20mm (45x)	20mm Erect	20mm Erect	
				Image (45x)	Image (50x)	
	4mm (225x)	4mm (175x)	4mm (225x)	4mm (225x)	4mm (250x)	
Barlow Lens 1.25" 3x	yes	yes	yes	yes	yes	
Angular Field of View w/20mm eyepiece	1.1°	1.4°	1.1°	1.1°	1.0°	
Linear FOV w/20mm eyepiece -ft/1000yds	58	74	58	58	53	
Mount	Equatorial	Equatorial	Equatorial	Equatorial	Equatorial	
RA & DEC Setting Circles	yes	yes	yes	yes	yes	
RA & DEC Slow-Motion Cables	yes	yes	yes	yes	yes	
CD-ROM "The Sky" Level 1	yes	yes	yes	yes	yes	
Highest Useful Magnification	142x	165x	189x	269x	300x	
Limiting Stellar Magnitude	11.4	11.7	12.0	12.8	13.0	
Resolution -- Raleigh (arc seconds)	2.31	1.98	1.73	1.21	1.09	
Resolution -- Dawes Limit " "	1.93	1.66	1.45	1.02	0.91	
Light Gathering Power	73x	100x	131x	265x	329x	
Counterweight – approximate weight (rounded)	2 lbs. (0.9kg)	4 lbs. (1.8kg)	4 lbs. (1.8kg)	6 lbs. (2.7kg)	7.5 lbs. (3.4kg)	
Optical Tube Length	38" (97cm)	30" (76cm)	37" (94cm)	35" (89cm)	18" (46cm)	
Telescope Weight	14 lbs. (6.4kg)	14 lbs. (6.4kg)	18 lbs. (8.2kg)	19 lbs. (8.6kg)	22 lbs. (10.0kg)	
<b>Note: Specifications are subject to change without notice or obligation</b>						



# ***Teleskope der PowerSeeker® Serie***

## **BEDIENUNGSANLEITUNG**

- *PowerSeeker 60EQ Nr. 21043*
- *PowerSeeker 70EQ Nr. 21037*
- *PowerSeeker 80EQ Nr. 21048*
- *PowerSeeker 114EQ Nr. 21045*
- *PowerSeeker 127EQ Nr. 21049*

# Inhaltsverzeichnis

EINFÜHRUNG.....	3
ZUSAMMENBAU .....	6
Aufbau des Stativs .....	6
Aufsetzen der äquatorialen Montierung.....	7
Installation der Gegengewichtsstange und des Gegengewichts (bzw. der Gegengewichte).....	7
Anbringung der Zeitlupen-Kontrollkabel .....	8
Anbringen des Teleskoptubus an der Montierung .....	8
Installation des Zenitspiegels und Okulars (Refraktor).....	9
Installation der Okulare in den Newton-Teleskopen.....	9
Installation des Sucherfernrohrs .....	10
Ausrichtung des Suchers (Finderscope).....	10
Sucherfernrohr mit Halterung .....	10
Installation und Verwendung der Barlow-Linse .....	10
Manuelle Bewegung des Teleskops .....	11
Ausbalancieren der Montierung in RA .....	11
Ausbalancieren der Montierung in Dek .....	11
Justierung der äquatorialen Montierung .....	12
Höhenjustierung der Montierung.....	12
GRUNDLAGEN DER TELESKOP.....	13
Bildorientierung .....	14
Fokussierung.....	14
Berechnung der Vergrößerung.....	14
Ermittlung des Gesichtsfelds .....	15
Allgemeine Hinweise zur Beobachtung.....	15
GRUNDLAGEN DER ASTRONOMIE.....	16
Das Himmelskoordinatensystem .....	16
Bewegung der Sterne .....	16
Polausrichtung mit der Breitenskala .....	17
Ausrichtung auf den Polarstern.....	17
Lokalisierung des nördlichen Himmelspols.....	18
Polausrichtung in der südlichen Hemisphäre.....	18
Ausrichtung der Einstellringe .....	20
Motorantrieb .....	22
HIMMELSBEOBACHTUNG .....	23
Mondbeobachtung .....	23
Beobachtung der Planeten.....	23
Beobachtung der Sonne .....	23
Beobachtung der Deep-Sky-Objekte .....	24
Beobachtungsbedingungen .....	24
ASTROFOTOGRAFIE.....	25
Primärfokus-Fotografie mit kurzen Belichtungszeiten .....	25
Huckepack-Fotografie .....	25
Planeten- und Mondfotografie mit Spezial-Imager.....	25
CCD-Aufnahmen von Deep-Sky-Objekten .....	25
Terrestrische Fotografie .....	25
PFLEGE DES TELESKOPS .....	26
Pflege und Reinigung der Optik .....	26
Kollimation eines Newton-Teleskops.....	26
OPTIONALES ZUBEHÖR.....	29
TECHNISCHE DATEN FÜR POWERSEEKER .....	30





Herzlichen Glückwunsch zum Kauf Ihres PowerSeeker-Teleskops. Die Teleskope der PowerSeeker Serie sind in verschiedenen Modellen erhältlich. Diese Bedienungsanleitung gilt für fünf Modelle, die auf der deutschen äquatorialen Montierung montiert werden - 60 mm-Refraktor, 70 mm-Refraktor, 114 mm-Newton und 127 mm-Newton. Die PowerSeeker-Serie ist aus Materialien von höchster Qualität gefertigt, um Stabilität und Haltbarkeit zu gewährleisten. All das ergibt ein Teleskop, das Ihnen mit minimalen Wartungsanforderungen viele Jahre Freude bereitet.

Diese Teleskope, die einen außergewöhnlichen Wert bieten, wurden für Erstkäufer entwickelt. Die PowerSeeker-Serie zeichnet sich durch ein kompaktes, portables Design sowie eine umfangreiche optische Leistung aus, die den Anfänger auf dem Gebiet der Amateurastronomie begeistern wird.

Für unsere PowerSeeker-Teleskope wird eine **eingeschränkte Zwei-Jahres-Garantie** gegeben. Nähere Einzelheiten finden Sie auf unserer Website unter [www.celestron.com](http://www.celestron.com).

Die vielen Standardmerkmale der PowerSeeker-Teleskope umfassen:

- Vollständig glasbeschichtete optische Elemente für klare, scharfe Bilder.
- Leichtgängige, feste äquatoriale Montierung mit Einstellringen in beiden Achsen.
- Das vormontierte Aluminiumstativ gewährleistet eine stabile Plattform.
- Schneller und einfacher Aufbau ohne Werkzeuge.
- CD-ROM „The Sky“ Level 1 -- Astronomiesoftware, die lehrreiche Informationen zum Himmel und Himmelskarten zum Ausdrucken enthält.
- Alle Modelle können mit dem im Lieferumfang enthaltenen Standardzubehör zur terrestrischen und astronomischen Beobachtung verwendet werden.

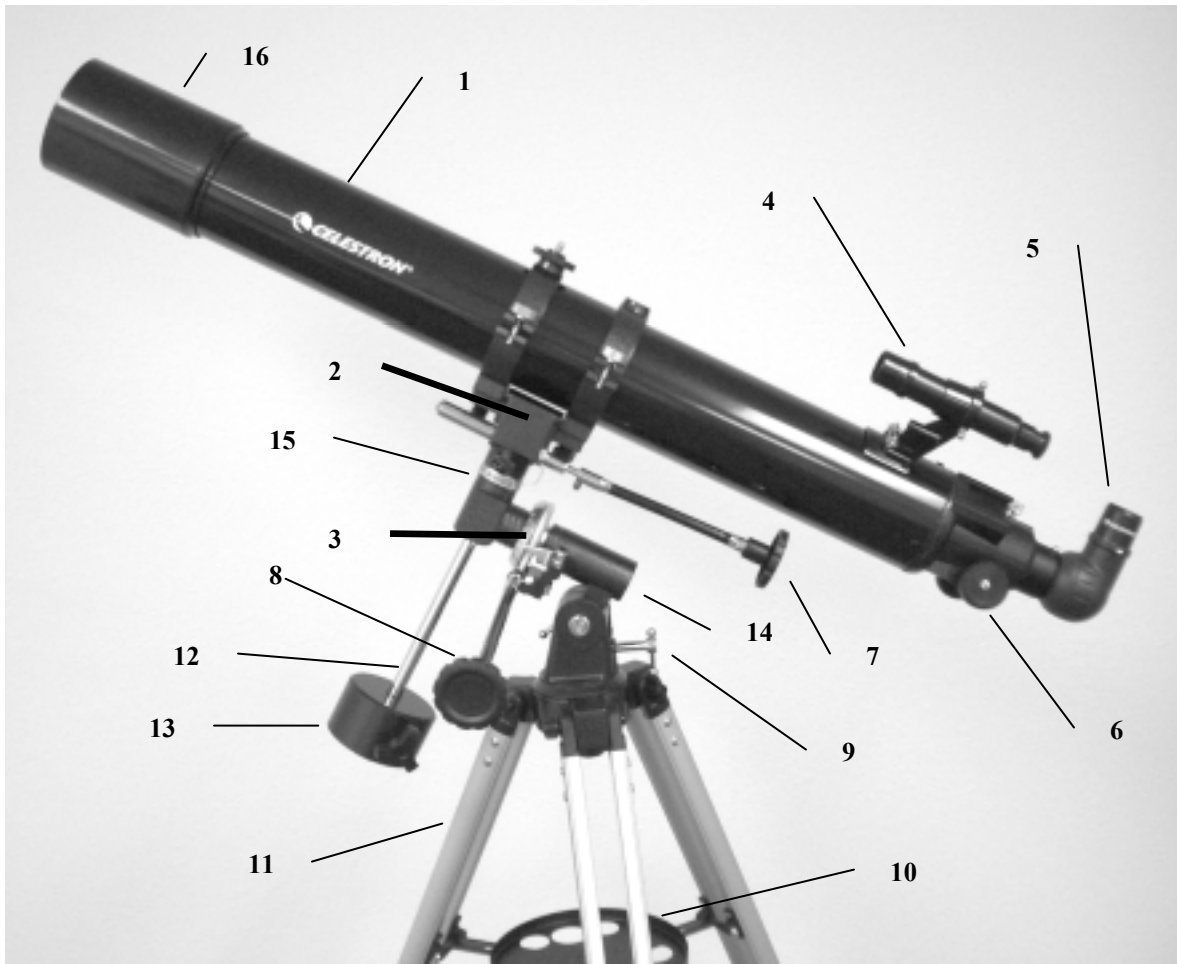
Nehmen Sie sich Zeit, bevor Sie sich aufmachen, das Universum zu erkunden, um dieses Handbuch durchzulesen. Vielleicht brauchen Sie ein paar Beobachtungssessions, um sich mit Ihrem Teleskop vertraut zu machen. Halten Sie daher diese Bedienungsanleitung griffbereit, bis Sie den Betrieb Ihres Fernrohrs komplett beherrschen. Das Handbuch enthält detaillierte Informationen zu allen Verwendungsschritten sowie das erforderliche Referenzmaterial und nützliche Hinweise, mit denen Sie Ihr Beobachtungserlebnis so einfach und angenehm wie möglich gestalten können.

Ihr Teleskop wurde so entwickelt, dass es Ihnen viele Jahre Freude bereitet und interessante Beobachtungen ermöglicht. Sie müssen jedoch vor der Verwendung Ihres Teleskops einige Gesichtspunkte beachten, um Ihre Sicherheit und den Schutz Ihres Instruments zu gewährleisten.

### **Achtung:**

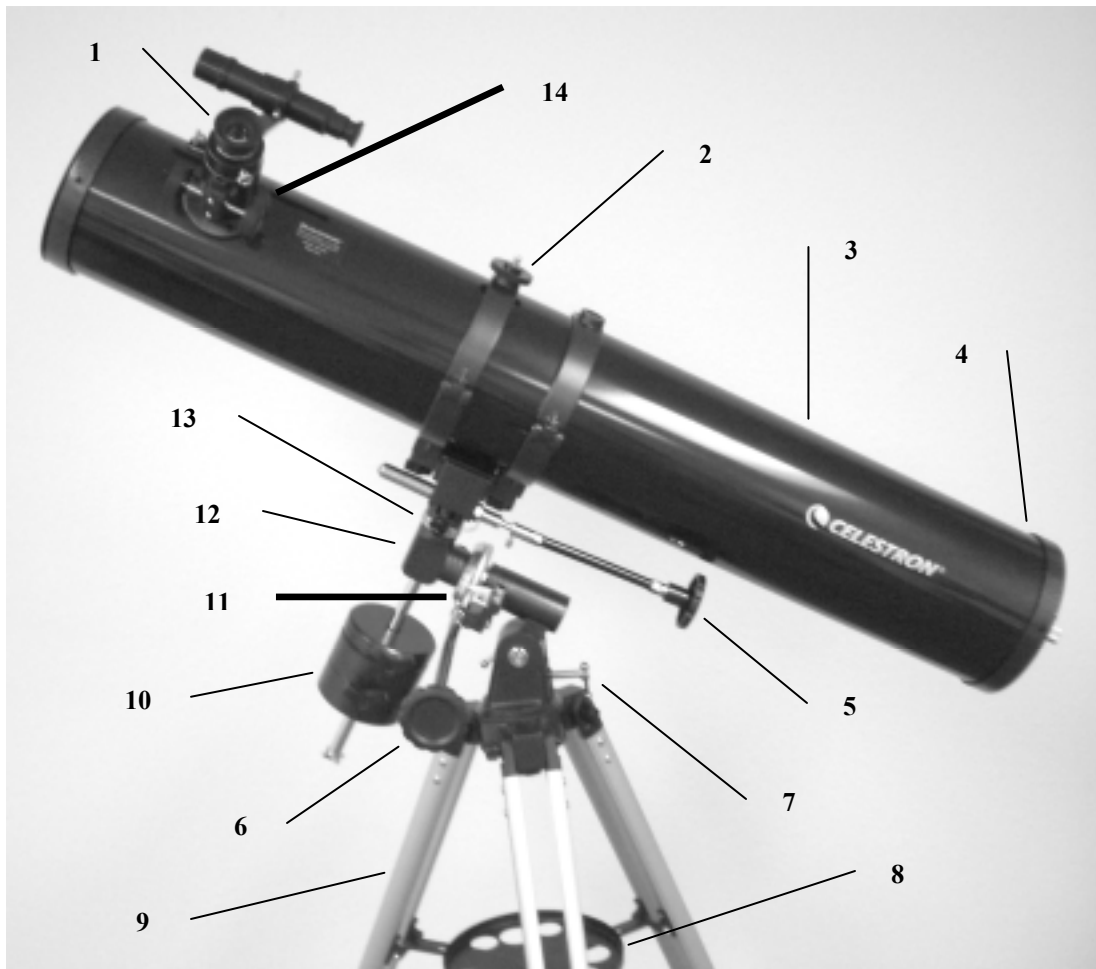


- **Niemals mit bloßem Auge oder mit einem Teleskop (außer bei Verwendung eines vorschriftsmäßigen Sonnenfilters) direkt in die Sonne schauen. Sie könnten einen permanenten und irreversiblen Augenschaden davontragen.**
- **Niemals das Teleskop zur Projektion eines Bildes der Sonne auf eine Oberfläche verwenden. Durch die interne Wärmeakkumulation kann das Teleskop und etwaiges daran angeschlossenes Zubehör beschädigt werden.**
- **Niemals einen Okularsonnenfilter oder einen Herschel-Keil verwenden. Die interne Wärmeakkumulation im Teleskop kann zu Rissen oder Brüchen dieser Instrumente führen. Dadurch könnte ungefiltertes Sonnenlicht ins Auge gelangen.**
- **Das Teleskop nicht unbeaufsichtigt lassen, wenn Kinder oder Erwachsene, die möglicherweise nicht mit den richtigen Betriebsverfahren Ihres Teleskops vertraut sind, gegenwärtig sind.**



**Abb. 1-1 PowerSeeker 80EQ-Refraktor**  
 PowerSeeker 60EQ und PowerSeeker 70EQ ähnlich

1.	Teleskoprohr mit Optik	9.	Breiteneinstellschraube
2.	Montagehalterung mit Tubusringen	10.	Stativzubehörablage
3.	RA-Einstellkreis	11.	Stativ
4.	Sucherfernrohr	12.	Gegengewichtsstange
5.	Okular und Zenitspiegel	13.	Gegengewicht
6.	Fokussierknopf	14.	Äquatoriale Montierung
7.	Deklinationachsen-Zeitlupen-Kontrollkabel	15.	Deklinationachsen-Einstellkreis
8.	RA-Zeitlupen-Kontrollkabel	16.	Objektivlinse



**Abb. 1-2 PowerSeeker 114EQ Newton-Teleskop  
PowerSeeker 127EQ-Newton ähnlich**

1.	Okular	8.	Stativzubehörablage
2.	Tubusring	9.	Stativ
3.	Teleskoprohr mit Optik	10.	Gegengewicht
4.	Hauptspiegel	11.	RA-Einstellkreis
5.	Deklinationsachsen-Zeitlupen-Kontrollkabel	12.	Äquatoriale Montierung
6.	RA-Zeitlupen-Kontrollkabel	13.	Deklinationsachsen-Einstellkreis
7.	Breiteneinstellschraube	14.	Fokussierknopf

# **CELESTRON** **Zusammenbau**

Dieser Abschnitt enthält die Anleitung zum Zusammenbau des PowerSeeker-Teleskops. Ihr Teleskop sollte das erste Mal in einem Innenraum aufgebaut werden, um die Identifikation der verschiedenen Teile zu erleichtern und damit Sie sich besser mit dem richtigen Aufbauverfahren vertraut machen können, bevor Sie es im Freien versuchen.

Das PowerSeeker-Teleskop ist immer in einem Karton verpackt. Die in der Verpackung enthaltenen Teile sind: Rohr mit Optik, Tubusringe (außer 60EQ), deutsche äquatoriale Montierung, Gegengewichtsstange, Gegengewicht, RA- und Dek.-Zeitlupen-Kontrollkabel, 4mm-Okular – 1,25 Zoll, 20mm-Okular – 1,25 Zoll (aufrechtes Bild für 114EQ und 127EQ), Zenit Spiegel für aufrechtes Bild 1,25 Zoll (für 60EQ, 70EQ und 80EQ), 3x Barlow-Linse, „The Sky“ Level 1 CD-ROM.

## **Aufbau des Stativs**

1. Nehmen Sie das Stativ aus der Verpackung (Abb. 2-1). Das Stativ ist bereits vormontiert, um den Aufbau zu vereinfachen.
2. Stellen Sie das Stativ aufrecht hin und ziehen Sie die Stativbeine auseinander, bis alle Beine ganz ausgezogen sind. Drücken Sie dann leicht auf die Beinstrebe des Stativs (Abb. 2-2). Der obere Teil des Stativs wird Stativkopf genannt.
3. Als Nächstes installieren wir die Zubehörablage des Stativs (Abb. 2-3) auf der Beinstrebe des Stativs (in der Mitte von Abb. 2-2).
4. Unten an der Stativzubehörablage ist eine Schraube am Mittelpunkt befestigt. Die Schraube wird gegen den Uhrzeigersinn in ein Gewindeloch in der Mitte der Beinstrebe des Stativs eingeschraubt. Zur Beachtung: die Beinstrebe des Stativs leicht hochziehen, um die Befestigung zu erleichtern. Drehen Sie die Ablage weiter, bis sie fest von Hand angezogen ist – ziehen Sie die Ablage nicht zu fest an.



Abb. 2-1



Abb. 2-2



Abb. 2-3

5. Jetzt ist das Stativ komplett zusammengebaut (Abb. 2-4).
6. Die Beine des Stativs können auf die gewünschte Höhe ausgezogen werden. Die geringste Höhe ist 66 cm (26 Zoll). Mit voll ausgefahrenen Beinen hat das Stativ eine Höhe von 119 cm (47 Zoll). Entriegeln Sie die Feststellknöpfe unten an jedem Stativbein (Abb. 2-5), indem Sie sie gegen den Uhrzeigersinn drehen, und ziehen Sie die Beine auf die gewünschte Höhe heraus. Arretieren Sie dann die Feststellknöpfe wieder fest. Das Stativ mit vollständig ausgezogenen Beinen sieht wie in Abb. 2-6 abgebildet aus.
7. Das Stativ hat in den geringsten Höhen den festesten und stabilsten Stand.



Abb. 2-4

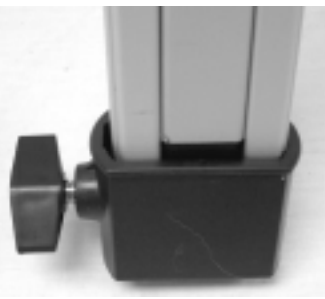


Abb. 2-5



Abb. 2-6

## **Aufsetzen der äquatorialen Montierung**

Die äquatoriale Montierung ermöglicht Ihnen, die Rotationsachse des Teleskops zu neigen, so dass Sie die Sterne verfolgen können, während sie über den Himmel wandern. Die PowerSeeker-Montierung ist eine deutsche äquatoriale Montierung, die am Stativkopf aufgesetzt wird. Aufsetzen der Montierung:

1. Nehmen Sie die äquatoriale Montierung aus der Verpackung (Abb. 2-8). Der Breiteneinstellbolzen ist an der Montierung angebracht (Abb. 2-27). Die Breiteneinstellschraube wird an der Gewindeöffnung in der Montierung eingesetzt, wie in Abb. 2-10 gezeigt.
2. Die Montierung wird am Stativkopf angesetzt, genauer gesagt, am Knopf mit angebrachter Schraube unter dem Stativkopf (Abb. 2-7). Drücken Sie die Montierung (großer flacher Teil mit kleinem hervorstehendem Rohr) in die mittlere Öffnung des Stativkopfs, bis sie damit abschließt, und halten Sie sie still. Fassen Sie dann mit Ihrer anderen Hand unter den Stativkopf und drehen Sie den Knopf gegen den Uhrzeigersinn in das Unterteil der Montierung. Drehen Sie den Knopf so lange weiter, bis er fest angezogen ist. Die fertige Montage der Montierung des Stativs ist in Abb. 2-9 ersichtlich.



Abb. 2-7



Abb. 2-8



Abb. 2-9



Abb. 2-10

## **Installation der Gegengewichtsstange und des Gegengewichts (bzw. der Gegengewichte)**

Die Montierung ist zur richtigen Ausbalancierung des Teleskops mit einer Gegengewichtsstange und einem oder zwei Gegengewichten ausgestattet (je nach Ihrem Modell). Installationschritte:

1. Entfernen Sie die Gegengewicht-Anschlagschutzschraube von der Gegengewichtsstange (am entgegengesetzten Ende der Gewindestange), indem Sie sie gegen den Uhrzeigersinn losschrauben – siehe Abb. 2-11.
2. Setzen Sie die großen Gewinde der Gegengewichtsstange in die Gewindeöffnung in der Dek.-Achse der Montierung ein und drehen Sie sie im Uhrzeigersinn (siehe Abb. 2-12), bis sie fest sitzt. Jetzt können die Gegengewichte (bzw. das Gegengewicht) angesetzt werden.
3. Richten Sie die Montierung so aus, dass die Gegengewichtsstange zum Boden zeigt.
4. Drehen Sie den Feststellknopf an der Seite des Gegengewichts los, so dass das Gewinde nicht durch die mittlere Öffnung des Gegengewichts vorsteht.
5. Schieben Sie das Gegengewicht ca. zur Hälfte auf die Gegengewichtsstange und ziehen Sie den Feststellknopf fest an. Die richtige Ausrichtung des Gewichts ist in Abb. 2-13 gezeigt.
6. Schieben Sie das zweite Gegengewicht (falls Ihr Modell ein zweites Gewicht hat) auf die Gegengewichtsstange, so dass es direkt am ersten anliegt. Gut festziehen.
7. Setzen Sie die Anschlagschutzschraube wieder auf und drehen Sie sie fest ein. Die fertige Montage ist in Abb. 2-13 gezeigt.

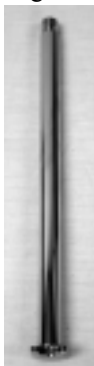


Abb. 2-11



Abb. 2-12



Abb. 2-13

## Anbringung der Zeitlupen-Kontrollkabel

Die PowerSeeker-Montierung wird mit zwei Zeitlupen-Kontrollkabeln geliefert, mithilfe derer feine Zeigeeinstellungen am Teleskop in der RA- und der Deklinationsachse vorgenommen werden können. Installation der Kabel:

1. Machen Sie die beiden Kabel mit Knöpfen darauf ausfindig. Das längere ist für die RA-Achse. Stellen Sie sicher, dass die Schraube an jedem Kabelende nicht durch die Öffnung vorsteht.
2. Schieben Sie das Kabel auf den RA-Schaft (siehe Abb. 2-14), so dass die Schraube über der Rille im RA-Schaft angesetzt wird. Es gibt zwei RA-Schäfte, einer auf jeder Seite der Montierung. Es ist egal, welchen Schaft Sie verwenden. Sie haben die gleiche Funktion (außer wenn ein Motorantrieb verwendet wird). Verwenden Sie einfach den, den Sie praktischer finden.
3. Ziehen Sie die Schraube am RA-Kabel zur sicheren Befestigung an.
4. Das DEK-Zeitlupen-Kontrollkabel wird genauso angebracht wie das RA-Kabel. Der Schaft, über den der DEK-Zeitlupen-Knopf aufgesetzt wird, befindet sich am oberen Teil der Montierung, direkt unter der Teleskop-Montageplattform.



Abb. 2-14

RA-Schaft unten, unterhalb des RA-Einstellrings Dek.-Schaft oben, oberhalb des Dek.-Einstellrings



Abb. 2-15

RA- und Dek.-Kabel angeschlossen

## Anbringen des Teleskoptubus an der Montierung

Der optische Tubus des Teleskops wird an der äquatorialen Montierung mit Tubusringen (außer bei Modell 60EQ) befestigt. Diese halten ihn an der Montagehalterung oben an der Montierung fest (Abb. 2-16). Beim 60EQ-Refraktor wird der Tubus direkt an der Montagehalterung mit den am optischen Tubus angebrachten Stiftschrauben befestigt. **Stellen Sie vor dem Aufsetzen des Teleskoptubus sicher, dass die Feststellknöpfe für Deklination (DEK) und Rektaszension (RA) festgezogen sind (Abb. 2-24). Stellen Sie dann sicher, dass die BreitenEinstellschraube und der Breitenfeststellbolzen (Abb. 2-27) festgezogen sind.** Damit wird gewährleistet, dass die Montierung sich nicht plötzlich bewegt, wenn der Teleskoptubus mit der Optik aufgesetzt wird. Entfernen Sie auch den Deckel der Objektivlinse (Refraktor) oder den Deckel der vorderen Öffnung (Newton). Anbau des Teleskoptubus:

1. Entfernen Sie das Schutzpapier vom optischen Tubus. Zuerst müssen die Tubusringe entfernt werden (Abb. 2-16), bevor das Papier entfernt werden kann.
2. Entfernen Sie die Knöpfe von den Gewindestangen unten an den Tubusringen (Abb. 2-16).
3. Stecken Sie jetzt die Stangen durch die Öffnungen oben an der Montageplattform (Abb. 2-17) und stecken Sie die Knöpfe wieder auf und ziehen Sie sie fest. Es sollte jetzt wie in Abb. 2-18 gezeigt aussehen.
4. Öffnen Sie die Tubusringe (drehen Sie die großen verchromten Knöpfe los), so dass der optische Tubus aufgesetzt werden kann.
5. Halten Sie den optischen Tubus vorsichtig mit einer Hand fest und zentrieren Sie die Tubusringe. Schließen Sie die Ringe und verriegeln und ziehen Sie die Rändelknöpfe der Tubusringe fest. Es sollte wie in Abb. 2-19 gezeigt aussehen.
6. Beachten Sie, dass Sie, je nach Ihrer persönlichen Präferenz, die Tubusringe auch zuerst am optischen Tubus anbringen und ihn dann an der Montageplattform der äquatorialen Montierung befestigen können.

**HINWEIS:** Lösen Sie niemals die Knöpfe am Teleskoptubus oder der Montierung, sondern nur die Rektaszensions (Right Ascension; RA)- und Deklinations (Declination, DEC)-Knöpfe.

**Tipp:** Um die größte Festigkeit des Teleskops und der Montierung sicherzustellen, müssen die Knöpfe/Schrauben, mit denen die Stativbeine festgehalten werden, festgezogen sein.



Abb. 2-16

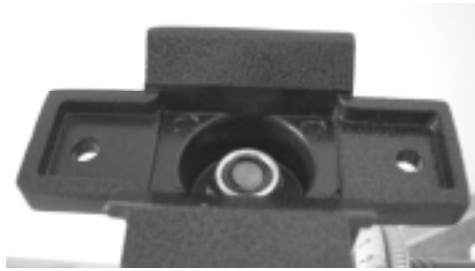


Abb. 2-17



Abb. 2-18



Abb. 2-19

## **Installation des Zenitspiegels und Okulars (Refraktor)**

Der Zenitspiegel ist ein Prisma, das das Licht im rechten Winkel zum Lichtpfad des Refraktors ablenkt. Das ermöglicht Ihnen die Beobachtung in einer bequemeren Position, als wenn Sie gerade durchschauen müssten. Dieser Zenitspiegel ist ein Aufrecht-Bild-Modell, das das Bild so korrigiert, dass es mit der richtigen Seite nach oben und mit seitenrichtiger Ausrichtung erscheint. Das ist einfacher für die Verwendung zur terrestrischen Beobachtung. Der Zenitspiegel kann auch in jede Position gedreht werden, die für Sie am günstigsten ist. Installation des Zenitspiegels und der Okulare:

1. Setzen Sie die kleine Stechhülse des Zenitspiegels in den 1,25 Zoll-Okularadapter des Fokussiertubus am Refraktor – Abb. 2-20. Achten Sie darauf, dass die beiden Daumenschrauben am Okularadapter vor der Installation nicht in den Fokussiertubus ragen und dass der Verschlussdeckel vom Okularadapter entfernt wurde.
2. Setzen Sie das verchromte Ende der Stechhülse eines der Okulare in den Zenitspiegel und ziehen Sie die Daumenschraube fest. Achten Sie bei diesem Vorgang wieder darauf, dass die Daumenschraube vor Einstecken des Okulars nicht in den Zenitspiegel ragt.
3. Die Okulare können durch Umkehr des Verfahrens in Schritt 2 oben auf andere Brennweiten eingestellt werden.



Abb. 2-20

## **Installation der Okulare in den Newton-Teleskopen**

Das Okular ist ein optisches Element, das das vom Teleskop fokussierte Bild vergrößert. Ohne das Okular wäre eine Benutzung des Teleskops zur Visualisierung nicht möglich. Okulare werden in der Regel durch Angabe ihrer Brennweite und des Durchmessers der Stechhülse charakterisiert. Je länger die Brennweite (d.h. je höher dieser Wert) desto geringer die Okularvergrößerung (d.h. Vergrößerungsleistung). Im Allgemeinen werden Sie bei der Betrachtung eine niedrige bis mäßige Vergrößerungsleistung verwenden. Nähere Informationen zur Bestimmung der Vergrößerungsleistung finden Sie im Abschnitt „Berechnung der Vergrößerung“. Das Okular wird direkt in den Fokussierer der Newton-Teleskope gesteckt. Aufsetzen der Okulare:

1. Achten Sie darauf, dass die Daumenschrauben nicht in den Fokussiertubus ragen. Stecken Sie dann die Chrom-Steckhülse des Okulars in den Fokussiertubus (zuerst den Verschlussdeckel des Fokussierers entfernen) und ziehen Sie die Daumenschrauben fest (Abb. 2-21).
2. Das 20 mm-Okular hat die Bezeichnung „bildaufrichtendes Okular“, da es das Bild so korrigiert, dass es mit der richtigen Seite nach oben und mit seitenrichtiger Ausrichtung erscheint. Durch dieses Merkmal kann das Teleskop für terrestrische Beobachtung eingesetzt werden.
3. Zum Austausch der Okulare wird das oben beschriebene Verfahren umgekehrt.



Abb. 2-21

## Installation des Sucherfernrohrs

Installation des Sucherfernrohrs:

1. Machen Sie das Sucherfernrohr ausfindig (es ist in der Sucherfernrohrhalterung montiert) – siehe Abb. 1-1 und 1-2.
2. Entfernen Sie die Rändelmutter an den Gewindestangen am optischen Tubus – siehe Abb. 2-22.
3. Montieren Sie die Sucherfernrohrhalterung, indem Sie sie über die Stangen platzieren, die vom optischen Tubus vorstehen. Halten Sie sie dann so angesetzt und schrauben Sie die Rändelmutter auf und ziehen Sie diese fest. Beachten Sie, dass das Sucherfernrohr so orientiert werden sollte, dass die Linse mit dem größeren Durchmesser zur Vorderseite des optischen Tubus hin gerichtet ist.
4. Nehmen Sie den Objektivdeckel von beiden Enden des Teleskops ab.



Abb. 2-22

## Ausrichtung des Suchers (Finderscope)

Verfahren zur Ausrichtung des Sucherfernrohrs:

1. Machen Sie ein entferntes Objekt am Tage ausfindig und zentrieren Sie es in einem Okular mit geringer Vergrößerungskraft (20 mm) im Hauptteleskop.
2. Schauen Sie durch den Sucher (Okularende des Sucherfernrohrs) und notieren Sie die Position des gleichen Objekts.
3. Drehen Sie, ohne das Hauptteleskop zu bewegen, die Einstellungs-Daumenschrauben, die sich um die Sucherfernrohrhalterung befinden, bis das Fadenkreuz des Sucherfernrohrs auf dem mit dem Hauptteleskop gewählten Objekt zentriert ist.

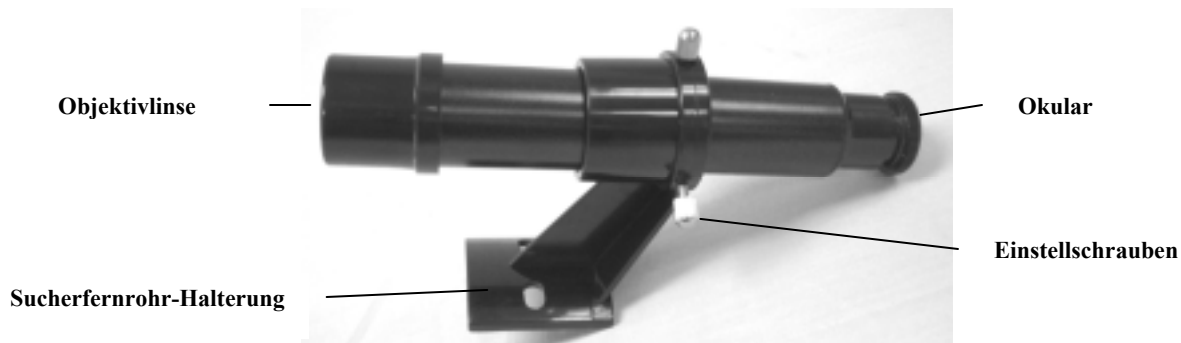


Abb. 2-22a Sucherfernrohr mit Halterung

## Installation und Verwendung der Barlow-Linse

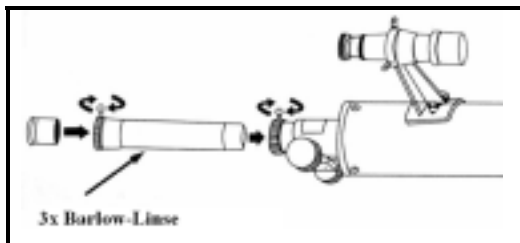


Abb. 2-23

Im Lieferumfang Ihres Teleskops ist auch eine 3x Barlow-Linse, die die Vergrößerungsleistung jedes Okulars verdreifacht. Die stark vergrößerten Bilder sollten jedoch nur unter idealen Bedingungen verwendet werden – siehe den Abschnitt „Berechnung der Vergrößerung“ dieser Bedienungsanleitung.

Zur Verwendung der Barlow-Linse mit Refraktoren entfernen Sie den Zenitspiegel und stecken die Barlow-Linse direkt in den Fokussiertubus. Dann stecken Sie ein Okular in die Barlow-Linse zur Beobachtung. Sie können auch den Zenitspiegel in die Barlow-Linse einstecken und dann ein Okular im Zenitspiegel verwenden, aber es ist u.U. nicht möglich, mit allen Okularen eine Scharfstellung zu erzielen.

Bei Newton-Teleskopen stecken Sie die Barlow-Linse direkt in den Fokussierer. Stecken Sie dann ein Okular in die Barlow-Linse.

**Hinweis:** Beginnen Sie mit einem Okular von geringer Vergrößerungsleistung. Die Scharfstellung ist dann einfacher.

3x Barlow-Linsenvergrößerung					
	60EQ	70EQ	80EQ	114EQ	127EQ
mit 20 mm-Okular	135x	105x	135x	135x	150x
mit 4 mm-Okular	675x	525x	675x	675x	450x



## Manuelle Bewegung des Teleskops



Abb. 2-24

Dek.-Feststellknopf oben am Dek.-Ring  
und RA-Feststellknopf oben am RA-  
Ring

Für eine richtige Verwendung des Teleskops müssen Sie das Teleskop manuell auf verschiedene Teile des Himmels verschieben, um verschiedene Objekte zu beobachten. Um grobe Einstellungen vorzunehmen, drehen Sie die RA- und Dek.-Feststellknöpfe leicht los und bewegen Sie das Teleskop in die gewünschte Richtung. Um Feineinstellungen bei festgestellten Knöpfen vorzunehmen, drehen Sie die Zeitlupen-Kontrollkabel.

Sowohl die RA- und die Dek.-Achse weisen Feststellknöpfe zur Einkupplung jeder Teleskopachse auf. Um die Kupplungen am Teleskop zu lösen, entriegeln Sie die Feststellknöpfe.

## Ausbalancieren der Montierung in RA

Um eine ungebührliche Belastung der Montierung zu vermeiden, muss das Teleskop richtig um die Polachse ausbalanciert werden. Außerdem ist die richtige Ausbalancierung wichtig für die genaue Verfolgung, wenn ein optionaler Motorantrieb verwendet wird. Ausbalancieren der Montierung:

1. Geben Sie den RA-Feststellknopf (siehe Abb. 2-24) frei und positionieren Sie das Teleskop seitlich weg zu einer Seite der Montierung hin gerichtet (darauf achten, dass der Knopf der Schwalbenschwanz-Halterung fest angezogen ist). Die Gegengewichtsstange erstreckt sich nun horizontal auf der entgegengesetzten Seite der Montierung (siehe Abb. 2-25).
2. Lassen Sie das Teleskop – **ALLMÄHLICH** – los, um zu sehen, in welche Richtung das Teleskop „abrollt“ oder fällt.
3. Drehen Sie den Gegengewicht-Feststellknopf auf den Gegengewichten (nacheinander, wenn Sie zwei Gegengewichte haben) los, während Sie das/die Gegengewicht(e) festhalten und sie langsam freigeben.
4. Bewegen Sie die Gegengewicht an einen Punkt, wo das Teleskop ausbalanciert wird (d.h. es bleibt stehen, wenn der RA-Knopf gelöst wird).
5. Ziehen Sie die Feststellknöpfe fest, um die Gegengewichte festzuhalten.

## Ausbalancieren der Montierung in Dek.

Das Teleskop sollte auch auf der Deklinationsachse (Dek.) ausbalanciert werden, um plötzliche Bewegungen zu vermeiden, wenn der Dek.-Feststellknopf (Abb. 2-24) gelöst wird. Ausbalancieren des Teleskops in der Dek.-Achse:

1. Lösen Sie den RA-Feststellknopf und drehen Sie das Teleskop, so dass es sich auf einer Seite der Montierung befindet (d.h. wie im vorstehenden Abschnitt zur Ausbalancierung des Teleskops in RA beschrieben).
2. Arretieren Sie den RA-Feststellknopf, um das Teleskop in seiner Position festzustellen.
3. Lösen Sie den Dek.-Feststellknopf und drehen Sie das Teleskop, bis der Tubus parallel zum Boden ist (Abb. 2-26).
4. Lassen Sie den Tubus dann – **ALLMÄHLICH** – los, um zu sehen, in welche Richtung er sich um die Deklinationsachse dreht. **LASSEN SIE DAS TELESKOP NICHT GANZ LOS!**
5. Drehen Sie beim 70EQ, 80EQ, 114EQ und 127EQ mit einer Hand die Rändelschrauben los, die den Teleskoptubus in den Tubusringen festhalten, und schieben Sie das Teleskop entweder vorwärts oder rückwärts, bis es unbeweglich bleibt, wenn der Dek.-Feststellknopf losgedreht wird. Für das 60EQ-Modell gibt es keine Einstellung, da es fest in der Montagehalterung der Montierung installiert ist.
6. Ziehen Sie die Tubusringschrauben fest, um das Teleskop zu arretieren.

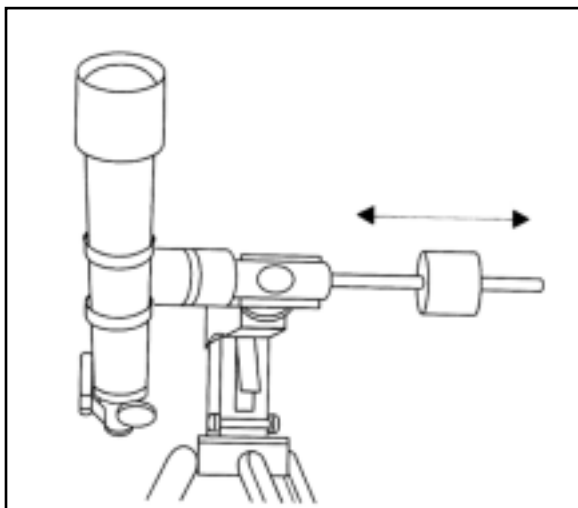


Abb. 2-25

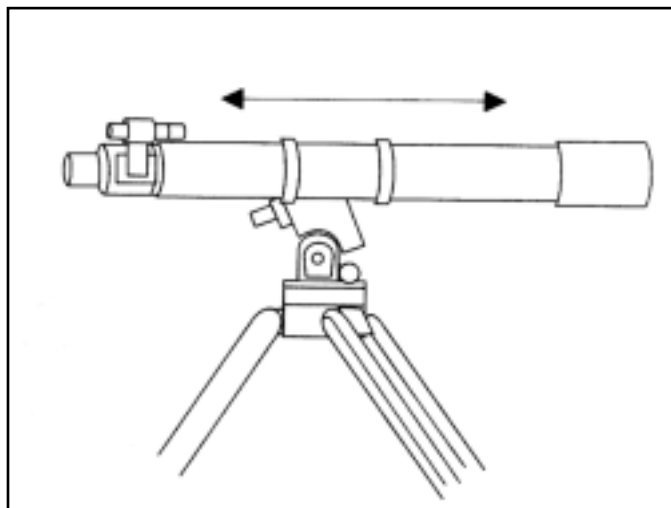


Abb. 2-26

## **Justierung der äquatorialen Montierung**

Um die genaue Verfolgung durch einen Motorantrieb zu ermöglichen, muss die Rotationsachse des Teleskops parallel zur Rotationsachse der Erde sein. Dieses Verfahren nennt man Polausrichtung. Polausrichtung wird NICHT durch Bewegung des Teleskops in der RA- oder Dek.-Achse erreicht, sondern durch vertikale Justierung (Höhe) der Montierung. Dieser Abschnitt behandelt einfach die korrekte Bewegung des Teleskops während des Polausrichtungsverfahrens. Das tatsächliche Verfahren der Polausrichtung, d.h. Parallelstellung der Rotationsachse des Teleskops mit der Erdrotationsachse, wird an späterer Stelle in dieser Bedienungsanleitung unter „Polausrichtung“ beschrieben.

## **Höhenjustierung der Montierung**

- Um den Breitengrad der Polachse zu erhöhen, drehen Sie den Breitenfeststellbolzen leicht los – siehe Abb. 2-27.
- Um den Breitengrad der Polachse zu erhöhen oder zu vermindern, ziehen Sie die Breitereinstellschraube fest bzw. drehen Sie diese los. Ziehen Sie dann den Breitenfeststellbolzen fest an. Die Schrauben vorsichtig drehen, um ein Anstoßen oder Aufschürfen der Finger an anderen Schrauben etc. zu verhindern.

Die Breitereinstellung an der PowerSeeker-Montierung hat einen Bereich von ca. 20° bis 60°.

Es empfiehlt sich, endgültige Höheneinstellungen vorzunehmen, indem die Montierung gegen die Schwerkraft bewegt wird (d.h. unter Verwendung der hinteren Breitereinstellschraube zur Anhebung der Montierung). Dazu sollten Sie die Breitereinstellschraube losdrehen und dann manuell den vorderen Teil der Montierung so weit es geht nach unten drücken. Ziehen Sie dann die Einstellschraube fest, um die Montierung auf die gewünschte Breite einzustellen.

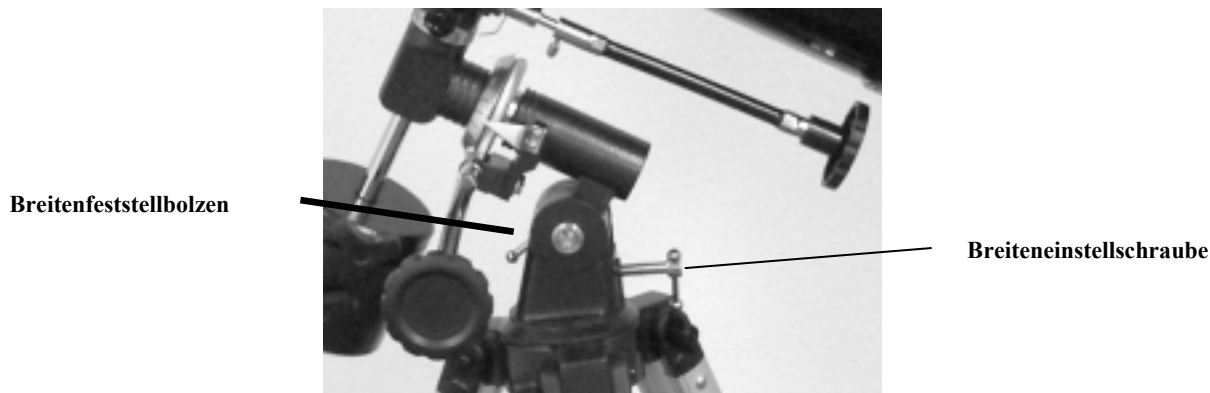
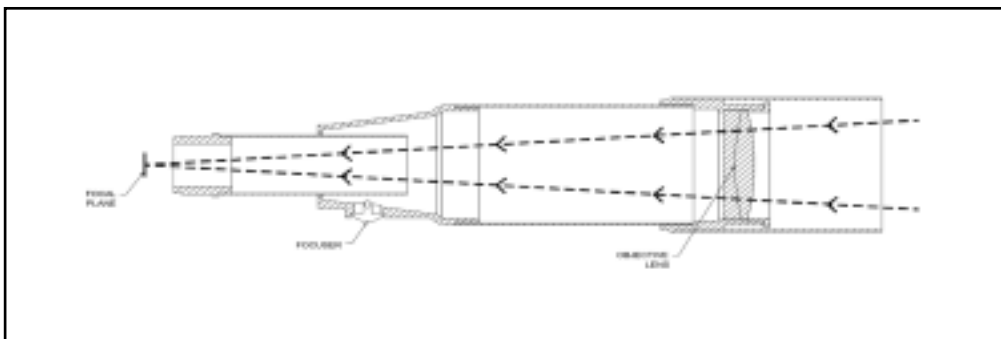


Abb. 2-27

# Grundlagen der Teleskop

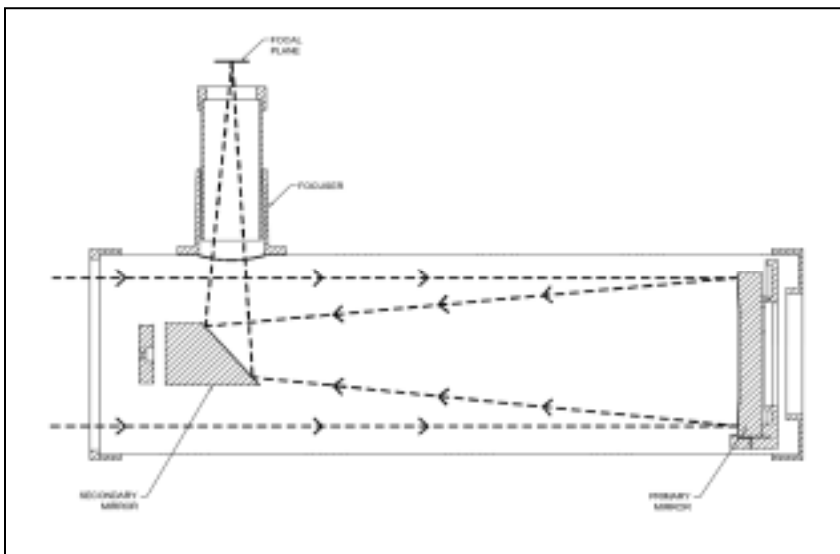
Ein Teleskop ist ein Instrument, das Licht sammelt und fokussiert. Die Art des optischen Designs bestimmt, wie das Licht fokussiert wird. Teleskope, die Linsen verwenden, werden Refraktoren genannt. Teleskope, die Spiegel verwenden, werden Reflektoren (Newton) genannt.

Der **Refraktor** wurde Anfang der 1600er entwickelt. Er ist das älteste Teleskopdesign. Sein Name leitet sich von dem Verfahren ab, das zur Fokussierung der eintretenden Lichtstrahlen verwendet wird. Der Refraktor verwendet eine Linse zur Beugung oder Refraktion der eintretenden Lichtstrahlen, daher der Name (siehe Abb. 3-1). Frühe Designs verwendeten Ein-Element-Linsen. Die Einzellinse wirkt jedoch wie ein Prisma und das Licht bricht sich in den Regenbogenfarben. Dieses Phänomen ist als chromatische Aberration bekannt. Um dieses Problem zu vermeiden, wurde eine Zwei-Element-Linse, die unter der Bezeichnung Achromatlinse bekannt ist, eingeführt. Jedes Element hat einen anderen Refraktionsindex, der ermöglicht, dass zwei verschiedene Lichtwellenlängen am gleichen Punkt fokussiert werden. Die meisten Zwei-Element-Linsen, die für gewöhnlich aus Flintglas und Kronglas bestehen, werden für rotes und grünes Licht korrigiert. Blaues Licht kann immer noch an einem leicht abweichenden Punkt fokussiert werden.



**Abb. 3-1**  
*Schnittzeichnung des Lichtpfads der Refraktor-Optik*

Ein **Newton-Reflektor** verwendet einen einzelnen konkaven Spiegel als Primärelement. Das Licht tritt in einen Tubus ein und trifft auf den Spiegel am hinteren Ende. Dort wird das Licht nach vorn im Tubus auf einen Punkt, seinen Brennpunkt, gebeugt. Da der Reflektor nicht funktionieren würde, wenn man seinen Kopf vor das Teleskop hält, um das Bild mit einem Okular zu betrachten, fängt ein flacher Spiegel, der *Zenitspiegel* genannt wird, das Licht ab und richtet es im rechten Winkel zum Tubus auf die Seiten des Tubus. Dort befindet sich das Okular zur einfachen Betrachtung.



**Abb. 3-2**  
*Schnittzeichnung des Lichtpfads der Newton-Optik*

Newton-Reflektorteleskope ersetzen schwere Linsen durch Spiegel, die das Licht sammeln und fokussieren, so dass der Benutzer eine bessere Lichtsammelleistung für den gezahlten Preis erhält. Da der Lichtweg unterbrochen und das Licht seitlich wegreflektiert wird, lassen sich Brennweiten von bis zu 1000 mm realisieren, wobei das Teleskop trotzdem noch relativ kompakt und portabel gehalten werden kann. Ein Newton-Reflektorteleskop bietet so beeindruckende Lichtsammelleistungen, dass Sie selbst mit einem bescheidenen Budget ein ernsthaftes Interesse an der Astronomie des tiefen Weltraums zeigen können. Die Newton-Reflektorteleskope erfordern jedoch mehr Pflege und Wartung, weil der Hauptspiegel Luft und Staub ausgesetzt wird. Aber dieser kleine Nachteil tut der Popularität dieser Art von Teleskop bei den Benutzern, die sich ein preiswertes Teleskop mit der Fähigkeit zur Auflösung von lichtschwachen, entfernten Objekten wünschen, keinen Abbruch.

## Bildorientierung

Die Bildorientierung ändert sich je nachdem, wie das Okular im Teleskop eingesetzt wird. Bei Verwendung eines Star-Zenitspiegels mit Refraktoren ist das Bild aufrecht, aber seitenverkehrt (links und rechts vertauscht, d.h. Spiegelbild). Wenn das Okular direkt in den Fokussierer eines Refraktors gesetzt wird (d.h. ohne den Zenitspiegel), ist das Bild auf dem Kopf und seitenverkehrt (d.h. invertiert). Bei Verwendung des PowerSeeker-Refraktors und des Standardzenitspiegels für aufrechtes Bild sind die Bilder jedoch in jeder Hinsicht richtig orientiert.

Newton-Reflektoren produzieren ein aufrechtes Bild, aber das Bild erscheint gedreht, basierend auf der Position des Okularhalters relativ zum Boden. Wenn jedoch das Aufrechtbild-Okular, das im Lieferumfang der PowerSeeker-Newtons enthalten ist, verwendet wird, ist das Bild richtig ausgerichtet.



Abb. 3-3

## Fokussierung

Zur Fokussierung Ihres Refraktor- oder Newton-Teleskops drehen Sie einfach den Fokussierknopf direkt unter dem Okularhalter (Abb. 2-20 und 2-21). Wenn der Knopf im Uhrzeigersinn gedreht wird, können Sie ein Objekt scharf einstellen, das weiter entfernt ist als das gegenwärtig beobachtete Objekt. Wenn der Knopf gegen den Uhrzeigersinn gedreht wird, können Sie ein Objekt scharf einstellen, das näher ist als das gegenwärtig beobachtete Objekt.

**Hinweis:** Wenn Sie Korrekturlinsen/-gläser (insbesondere eine Brille) tragen, werden Sie es vielleicht bevorzugen, diese abzusetzen, wenn Sie Beobachtungen durch ein Okular des Fernrohrs vornehmen. Bei Verwendung einer Kamera sollten Sie jedoch immer Ihre Korrekturlinsen auflassen, um die schärfstmögliche Einstellung zu gewährleisten. Wenn Sie Hornhautverkrümmung (Astigmatismus) haben, müssen Sie Ihre Korrekturlinsen immer tragen.

## Berechnung der Vergrößerung

Die Vergrößerungskraft des Teleskops kann durch Wechsel des Okulars geändert werden. Zur Bestimmung der Vergrößerung Ihres Teleskops teilen Sie einfach die Brennweite des Teleskops durch die Brennweite des verwendeten Okulars. Die Formel kann in Form einer Gleichung ausgedrückt werden:

$$\text{Vergrößerung} = \frac{\text{Brennweite des Teleskops (mm)}}{\text{Brennweite des Okulars (mm)}}$$

Angenommen, Sie verwenden das 20mm-Okular, das im Lieferumfang des Teleskops enthalten ist. Um die Vergrößerung zu bestimmen, teilen Sie die Brennweite Ihres Teleskops (das in diesem Beispiel verwendete PowerSeeker 80EQ hat eine Brennweite von 900 mm) durch die Brennweite des Okulars, nämlich 20 mm. Die Division von 900 durch 20 ergibt eine Vergrößerungskraft von 45x.

Obwohl die Vergrößerungsleistung variabel ist, hat jedes Gerät unter einem normalen Himmel eine obere Grenze der maximalen nützlichen Vergrößerung. Die allgemeine Regel ist, dass eine Vergrößerungsleistung von 60 für jeden Zoll Blendenöffnung verwendet werden kann. Zum Beispiel hat das PowerSeeker 80EQ-Teleskop einen Durchmesser von 3,1 Zoll. 3,1 mal 60 ergibt eine maximale nützliche Vergrößerung von 189. Obwohl das die maximale nützliche Vergrößerung ist, finden die meisten Beobachtungen im Bereich von 20 bis 35 Vergrößerung für jeden Zoll Blendenöffnung statt, d.h. beim PowerSeeker 80EQ-Teleskop ist es das 62- bis 109-Fache. Sie können die Vergrößerung für Ihr Teleskop auf die gleiche Weise ermitteln.

## **Ermittlung des Gesichtsfelds**

Die Bestimmung des Gesichtsfelds ist wichtig, wenn Sie sich eine Vorstellung von der Winkelgröße des beobachteten Objekts machen wollen. Zur Berechnung des tatsächlichen Gesichtsfelds dividieren Sie das scheinbare Gesichtsfeld des Okulars (vom Hersteller des Okulars angegeben) durch die Vergrößerung. Die Formel kann in Form einer Gleichung ausgedrückt werden:

$$\text{Wahres Feld} = \frac{\text{Scheinbares Feld des Okulars}}{\text{Vergrößerung}}$$

Wie Sie sehen, müssen Sie vor der Berechnung des Gesichtsfelds erst die Vergrößerung berechnen. Unter Verwendung des Beispiels im vorherigen Abschnitt können wir das Gesichtsfeld mit dem gleichen 20 mm-Okular, das im Standardlieferumfang des PowerSeeker 80EQ-Teleskops enthalten ist, bestimmen. Das 20-mm-Okular hat ein scheinbares Gesichtsfeld von 50°. Teilen Sie die 50° durch die Vergrößerung, d.h. 45. Das ergibt ein tatsächliches (wahres) Feld von 1,1°.

Zur Umrechnung von Grad in Fuß bei 914 m (1000 Yard), was zur terrestrischen Beobachtung nützlicher ist, multiplizieren Sie einfach mit 52,5. Multiplizieren Sie nun weiter in unserem Beispiel das Winkelfeld von 1,1° mit 52,5. Das ergibt eine lineare Feldbreite von 58 Fuß im Abstand von 914 m (1000 Yard).

## **Allgemeine Hinweise zur Beobachtung**

Bei der Arbeit mit jedem optischen Gerät gibt es ein paar Dinge, an die man denken muss, um sicherzustellen, dass man das bestmögliche Bild erhält.

- Niemals durch Fensterglas schauen. Glas in Haushaltsfenstern ist optisch nicht perfekt und verschiedene Teile des Fensters können daher von unterschiedliche Dicke sein. Diese Unregelmäßigkeiten beeinträchtigen (u.U.) die Fähigkeit der Scharfstellung des Teleskops. In den meisten Fällen werden Sie kein wirklich scharfes Bild erzielen können. In anderen Fällen können Sie sogar ein doppeltes Bild sehen.
- Niemals durch oder über Objekte hinwegsehen, die Hitzewellen produzieren. Dazu gehören Asphaltparkplätze an heißen Sommertagen oder Gebäudedächer.
- Ein diesiger Himmel, starker oder leichter Nebel können die Scharfstellung bei der terrestrischen Beobachtung ebenfalls erschweren. Unter diesen Bedingungen sind Details nur schwierig zu sehen.
- Wenn Sie Korrekturlinsen/-gläser (insbesondere eine Brille) tragen, werden Sie es vielleicht bevorzugen, diese abzusetzen, wenn Sie Beobachtungen durch ein Okular des Fernrohrs vornehmen. Bei Verwendung einer Kamera sollten Sie jedoch immer Ihre Korrekturlinsen auflassen, um die schärfstmögliche Einstellung zu gewährleisten. Wenn Sie Hornhautverkrümmung (Astigmatismus) haben, müssen Sie Ihre Korrekturlinsen immer tragen.

# **Grundlagen der Astronomie**

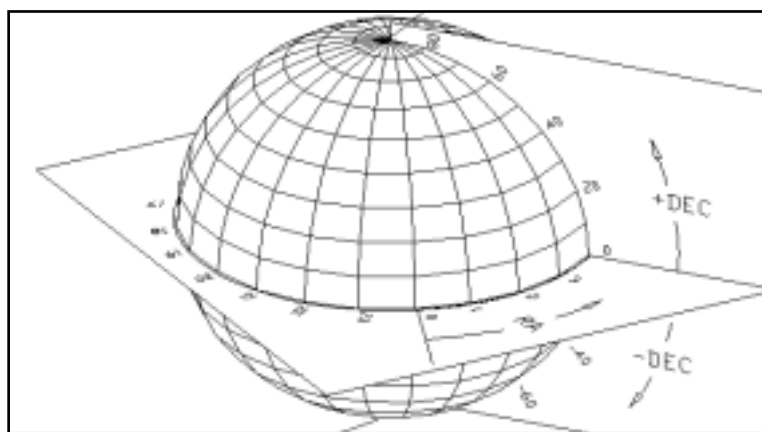
Bis jetzt hat dieses Handbuch den Aufbau und den Grundbetrieb Ihres Teleskops behandelt. Um ein gründlicheres Verständnis Ihres Teleskops zu bekommen, müssen Sie jedoch ein paar Dinge über den Nachthimmel lernen. Dieser Abschnitt befasst sich mit der Beobachtungsastronomie im Allgemeinen und umfasst Informationen zum Nachthimmel und zur Polarausrichtung.

## **Das Himmelskoordinatensystem**

Um die Auffindung von Objekten im Himmel zu erleichtern, verwenden Astronomen ein Himmelskoordinatensystem, das unserem geographischen Koordinatensystem hier auf der Erde ähnelt. Das Himmelskoordinatensystem hat Pole, Linien für Breiten- und Längengrade und einen Äquator. Diese sind zum Großteil unveränderlich vor den Hintergrundsternen.

Der Himmelsäquator verläuft 360 Grad um die Erde und scheidet den Himmel in eine nördliche und eine südliche Himmelshemisphäre. Wie der Erdäquator hat er einen Wert von Null Grad. Auf der Erde wäre das Breitengrad. Aber im Himmel wird das als Deklination, kurz DEC, bezeichnet. Die Deklinationslinien werden im Hinblick auf ihre Winkeldistanz über und unter dem Himmelsäquator bezeichnet. Die Linien sind in Grade, Bogenminuten und Bogensekunden gegliedert. Die Deklinationsangaben südlich des Äquators haben ein Minuszeichen (-) vor der Koordinate und diejenigen nördlich vom Himmelsäquator haben entweder ein Leerzeichen (d.h. keine Kennzeichnung) oder es ist ein Pluszeichen (+) vorangestellt.

Die Entsprechung des Längengrades im Himmel wird Rektaszension (Right Ascension; RA) genannt. Wie die Längengrade auf der Erde verlaufen diese von Pol zu Pol und haben einen gleichmäßigen Abstand voneinander (15 Grad). Obwohl die Längengrade durch eine Winkeldistanz getrennt sind, sind sie auch ein Zeitmaß. Jeder Längengrad ist eine Stunde vom nächsten entfernt. Da die Erde alle 24 Stunden eine Umdrehung abschließt, gibt es insgesamt 24 Grade. Daher werden die Rektaszensionskoordinaten in Zeiteinheiten markiert. Der Startpunkt ist ein beliebiger Punkt im Sternbild Fische, der als 0 Stunden, 0 Minuten und 0 Sekunden bezeichnet wird. Alle anderen Punkte werden danach gekennzeichnet, wie weit (d.h. wie lange) sie hinter dieser Koordinate zurückliegen, nachdem sie darüber in westlicher Richtung verläuft.



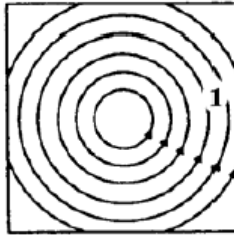
**Abb. 4-1.**

Die Himmelskugel, von außen betrachtet, mit Angabe von RA und DEK.

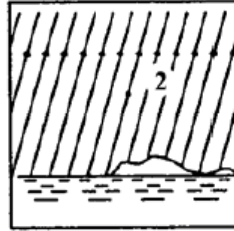
## **Bewegung der Sterne**

Die tägliche Bewegung der Sonne über den Himmel hinweg ist selbst dem unbeteiligten Beobachter bekannt. Diese tägliche Zug ist aber keine Bewegung der Sonne, wie die ersten Astronomen dachten, sondern das Ergebnis der Drehung der Erde. Die Drehung der Erde hat den gleichen Effekt auf die Sterne, die einen großen Kreis beschreiben, während die Erde eine Drehung ausführt. Die Größe der Kreisbahn, die von einem Stern vollzogen wird, hängt von seiner Position im Himmel ab. Sterne in der Nähe des Himmelsäquators bilden die größten Kreise, die im Osten aufgehen und im Westen untergehen. Auf den Himmelsnordpol zu, den Punkt, um den die Sterne in der nördlichen Hemisphäre sich zu drehen scheinen, werden diese Kreise kleiner. Die Sterne in den mittleren Himmelsbreitengraden gehen im Nordosten auf und im Nordwesten unter. Die Sterne in hohen Himmelsbreitengraden befinden sich immer über dem Horizont. Man nennt sie zirkumpolare Sterne, weil sie nie aufgehen und nie untergehen. Man sieht nie, wie die Sterne einen Kreis abschließen, weil das Sonnenlicht am Tage das Sternenlicht auswäscht. Ein Teil dieser Kreisbewegung der Sterne in dieser Region des Himmels kann jedoch beobachtet werden, wenn man eine Kamera auf einem Stativ installiert und den Kameraverschluss ein paar Stunden öffnet. Die zeitgesteuerte Belichtung wird Halbkreise deutlich machen, die den Pol umlaufen. (Diese Beschreibung der stellaren Bewegungen trifft auch für die südliche Hemisphäre zu, mit dem Unterschied, dass alle Sterne südlich des Himmelsäquators um den Himmelsüdpol wandern.)

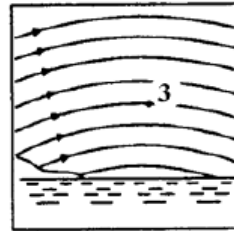
**Sterne in der Nähe des nördlichen Himmelspols**



**Sterne in der Nähe des Himmelsäquators**



**In entgegengesetzter Richtung des nördlichen Himmelspols sichtbare Sterne**



**Abb. 4-2**

Alle Sterne drehen sich scheinbar um die Himmelspole. Jedoch ist das Erscheinungsbild dieser Bewegung je nach dem Punkt der Himmelsbeobachtung unterschiedlich. In der Nähe des nördlichen Himmelspols beschreiben die Sterne erkennbare Kreise mit dem Pol als Mittelpunkt (1). Sterne in der Nähe des Himmelsäquators folgen auch Kreisbahnen um den Pol. Aber die komplette Bahn wird durch den Horizont unterbrochen. Diese scheinen im Osten aufzugehen und im Westen unterzugehen (2). Der Blick auf den entgegengesetzten Pol zeigt die Sternkurve oder den Bogen in die entgegengesetzte Richtung, die einen Kreis um den entgegengesetzten Pol beschreiben (3).



**Abb. 4-3**

## **Polausrichtung mit der Breitenskala**

Die einfachste Art und Weise, ein Teleskop auszurichten ist mit einer Breitenskala. Im Gegensatz zu anderen Verfahren, bei denen Sie den Himmelspol durch Identifizierung von bestimmten Sternen in seiner Nähe ausfindig machen müssen, basiert diese Methode auf einer bekannten Konstante zur Bestimmung, wie hoch die Polachse gerichtet werden sollte. Die äquatoriale PowerSeeker-Montierung kann im Bereich von 20 bis 60 Grad justiert werden (siehe Abb. 4-3).

Die oben genannte Konstante ist eine Beziehung zwischen Ihrem Breitengrad und der Winkeldistanz des Himmelspols über dem nördlichen (oder südlichen) Horizont. Die Winkeldistanz vom nördlichen Horizont bis zum nördlichen Himmelspol ist immer gleich Ihrer Breite. Stellen Sie sich zur Illustration vor, dass Sie auf dem Nordpol, Breitengrad  $+90^\circ$  stehen. Der nördliche Himmelspol, der eine Deklination von  $+90^\circ$  hat, wäre direkt über Ihnen (d.h.  $90^\circ$  über dem Horizont). Angenommen Sie gehen ein Grad nach Süden – jetzt ist Ihr Breitengrad  $+89^\circ$  und der Himmelspol ist nicht mehr direkt über Ihnen. Er ist um einen Grad näher an den nördlichen Horizont gewandert. Das bedeutet, dass der Pol jetzt  $89^\circ$  über dem nördlichen Horizont ist. Wenn Sie noch einen Grad weiter nach Süden gehen, passiert das Gleiche noch einmal. Sie würden 70 Meilen nach Norden oder Süden fahren müssen, um Ihren Breitengrad um einen Grad zu ändern. Wie Sie aus diesem Beispiel ersehen, ist die Distanz vom nördlichen Horizont zum Himmelspol immer gleich Ihrem Breitengrad.

Wenn Ihr Beobachtungsstandort Los Angeles, Breitengrad  $34^\circ$ , ist, dann ist der Himmelspol  $34^\circ$  über dem nördlichen Horizont. Eine Breitenskala macht nichts weiter, als dass sie die Polachse des Teleskops in die richtige Höhe über dem nördlichen (oder südlichen) Horizont richtet.

Ausrichtung des Teleskops:

1. Stellen Sie sicher, dass die Polachse der Montierung in den wahren Norden zeigt. Verwenden Sie eine Markierung, von der Sie wissen, dass sie nach Norden gerichtet ist.
2. Nivellieren Sie das Stativ. Die Nivellierung des Stativs ist nur erforderlich, wenn dieses Verfahren zur Polausrichtung verwendet wird.
3. Justieren die Höhe der Montierung, bis die Breitenanzeige auf Ihre Breite zeigt. Die Verschiebung der Montierung wirkt sich auf den Winkel aus, in den die Polachse zeigt. Nähere Informationen zur Einstellung der äquatorialen Montierung finden Sie im Abschnitt „Justierung der Montierung“.

Dieses Verfahren kann bequem bei Tageslicht durchgeführt werden. Obwohl dieses Verfahren Sie **NICHT** direkt auf den Pol ausrichtet, schränkt es doch die Anzahl der Korrekturen ein, die Sie bei der Verfolgung eines Objekts vornehmen werden.

## Ausrichtung auf den Polarstern

Dieses Verfahren verwendet den Polarstern als Wegweiser zum nördlichen Himmelspol. Da der Polarstern weniger als ein Grad vom Himmelspol entfernt ist, können Sie einfach die Polachse Ihres Teleskops auf den Polarstern ausrichten. Dies ist zwar keinesfalls eine perfekte Ausrichtung, aber sie weicht nur im Rahmen von 1 Grad ab. Im Gegensatz zum vorherigen Verfahren muss dieses im Dunkeln, wenn der Polarstern sichtbar ist, erfolgen.

1. Stellen Sie das Teleskop so auf, dass die Polachse nach Norden zeigt (siehe Abb. 4-6).
2. Drehen Sie den Dek-Kupplungsknopf los und bewegen Sie das Teleskop, so dass der Tubus parallel zur Polachse ist. Nach Abschluss wird auf dem Deklinations-Einstellring  $+90^\circ$  ausgewiesen. Wenn der Deklinations-Einstellring nicht ausgerichtet ist, verstellen Sie das Teleskop so, dass der Tubus parallel zur Polachse ist.
3. Justieren Sie die Montierung in der Höhe und/oder Azimut, bis der Polarstern im Sichtfeld des Suchers ist.

**Beachten Sie, dass Sie bei der Polarausrichtung das Teleskop NICHT in der RA- oder DEK.-Achse bewegen. Es soll nicht das Teleskop selbst, sondern die Polachse bewegt werden. Das Teleskop wird einfach verwendet, um zu sehen, wohin die Polachse zeigt.**

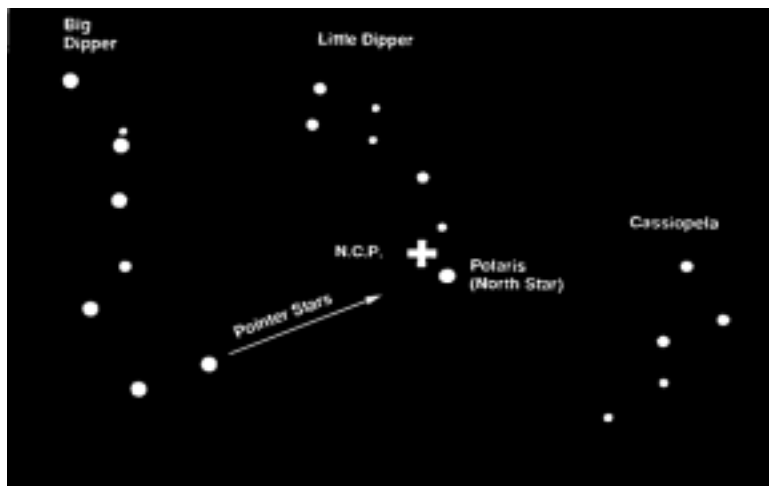
Wie beim vorherigen Verfahren kommen Sie dadurch zwar nicht direkt, aber doch sehr dicht an den Pol heran. Das folgende Verfahren verhilft Ihnen zu einer verbesserten Präzision für ernsthafte Beobachtungen und Fotografie.

## Lokalisierung des nördlichen Himmelspols

In jeder Hemisphäre gibt es einen Punkt im Himmel, um den sich alle anderen Sterne zu drehen scheinen. Diese Punkte nennt man Himmelspole. Sie werden nach der Hemisphäre benannt, in der sie sich befinden. Zum Beispiel bewegen sich alle Sterne in der nördlichen Hemisphäre um den nördlichen Himmelspol. Wenn die Polachse des Teleskops auf den Himmelspol gerichtet ist, ist sie parallel zur Rotationsachse der Erde.

Viele Verfahren der Polarausrichtung erfordern, dass man weiß, wie man den Himmelspol durch Identifikation von Sternen in dem Bereich finden kann. Für Beobachter in der nördlichen Hemisphäre ist die Lokalisierung des Himmelspols nicht so schwer. Glücklicherweise haben wir einen mit bloßem Auge sichtbaren Stern, der weniger als ein Grad entfernt ist. Dieser Stern, der Polarstern, ist auch der Endstern der Deichsel im Kleinen Wagen. Da der Kleine Wagen (Lateinischer Name: Ursa Minor; kleiner Bär) nicht zu den hellsten Konstellationen im Himmel zählt, ist er möglicherweise in Stadtgebieten schwer auszumachen. Ist das der Fall, verwenden Sie die beiden Endsterne im Kasten des Großen Wagens (die „Zeigesterne“). Ziehen Sie eine imaginäre Linie durch sie in Richtung auf den Kleinen Wagen. Sie zeigen auf den Polarstern (siehe Abb. 4-5). Die Position des Großen Wagens (Ursa Major) ändert sich im Laufe des Jahres und im Laufe der Nacht (siehe Abb. 4-4). Wenn der Große Wagen tief am Himmel steht (d.h. in der Nähe des Horizonts), ist er u.U. schwer zu lokalisieren. Suchen Sie in diesen Zeiten Cassiopeia (Abb. 4-5). Beobachter in der südlichen Hemisphäre haben es schwerer als die in der nördlichen Hemisphäre. Die Sterne um den südlichen Himmelspol sind nicht annähernd so hell wie die um den nördlichen Himmelspol. Der am dichtesten gelegene Stern ist der relativ helle Sigma Octantis. Dieser Stern liegt gerade noch so im Grenzbereich, wo er mit bloßem Auge sichtbar ist (Größe 5,5). Er ist ca. 59 Bogenminuten vom Pol entfernt.

*Definition: Der nördliche Himmelspol ist der Punkt in der nördlichen Hemisphäre, um den alle Sterne sich zu drehen scheinen. Das Gegenstück in der südlichen Hemisphäre wird als südlicher Himmelspol bezeichnet.*



**Abb. 4-5**

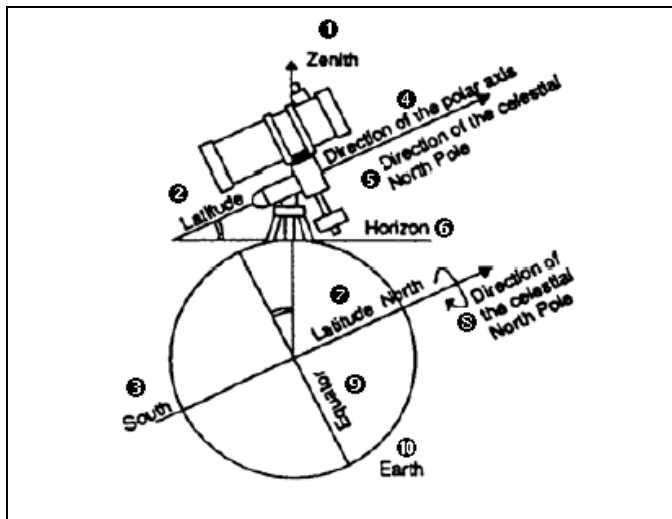
Die beiden Sterne an der Vorderseite des Kastens des Großen Wagens zeigen auf den Polarstern, der weniger als 1 Grad vom wahren (nördlichen) Himmelspol entfernt ist. Cassiopeia, das Sternbild mit der „W-Form“, ist auf der entgegengesetzten Seite des Pols vom Großen Wagen. Der nördliche Himmelspol (N.C.P.) wird durch das „+“ - Zeichen identifiziert.



**Abb. 4-4**

Die Position des Großen Wagens ändert sich im Laufe des Jahres und im Laufe der Nacht.





- ① Zenit
- ② Breitengrad
- ③ Süd
- ④ Richtung der Polachse
- ⑤ Richtung des Himmelsnordpols
- ⑥ Horizont
- ⑦ Breitengrad Nord
- ⑧ Richtung des Himmelsnordpols
- ⑨ Äquator
- ⑩ Erde

Abb. 4-6

Ausrichtung der äquatorialen Montierung mit der Polachse der Erde

## Polausrichtung in der südlichen Hemisphäre

Die Polausrichtung mit dem südlichen Himmelspol (SCP) stellt eine etwas größere Herausforderung dar, weil sich – im Gegensatz zum Polarstern am nördlichen Himmelspol – kein heller Stern in seiner Nähe befindet. Es gibt verschiedene Möglichkeiten zur Polausrichtung Ihres Teleskops. Zur gelegentlichen Beobachtung sind die Methoden, die unten beschrieben werden, ausreichend. Sie ermöglichen Ihnen, ziemlich nahe an den südlichen Himmelspol zu kommen.

### Polausrichtung mit der Breitenskala

Die einfachste Art und Weise, ein Teleskop auszurichten ist mit einer Breitenskala. Im Gegensatz zu anderen Verfahren, bei denen Sie den Himmelspol durch Identifizierung von bestimmten Sternen in seiner Nähe ausfindig machen müssen, basiert diese Methode auf einer bekannten Konstante zur Bestimmung, wie hoch die Polachse gerichtet werden sollte.



Abb. 4-7

Die oben genannte Konstante ist eine Beziehung zwischen Ihrem Breitengrad und der Winkeldistanz des Himmelspols über dem südlichen Horizont. Die Winkeldistanz vom südlichen Horizont bis zum südlichen Himmelspol ist immer gleich Ihrem Breitengrad. Stellen Sie sich zur Illustration vor, dass Sie auf dem Südpol, Breitengrad  $-90^\circ$ , stehen. Der südliche Himmelspol, der eine Deklination von  $-90^\circ$  hat, wäre direkt über Ihnen (d.h.  $90^\circ$  über dem Horizont). Angenommen Sie gehen einen Grad nach Norden – jetzt ist Ihr Breitengrad  $-89^\circ$  und der Himmelspol ist nicht mehr direkt über Ihnen. Er ist um einen Grad näher an den südlichen Horizont gewandert. Das bedeutet, dass der Pol jetzt  $89^\circ$  über dem südlichen Horizont ist. Wenn Sie noch einen Grad weiter nach Norden gehen, passiert das Gleiche noch einmal. Sie würden 70 Meilen nach Norden oder Süden fahren müssen, um Ihren Breitengrad um einen Grad zu ändern. Wie Sie aus diesem Beispiel ersehen, ist die Distanz vom südlichen Horizont zum Himmelspol immer gleich Ihrem Breitengrad.

Wenn Ihr Beobachtungsstandort Sydney, Breitengrad  $-34^\circ$ , ist, dann ist der Himmelspol  $34^\circ$  über dem südlichen Horizont. Eine Breitenskala macht nichts weiter, als dass sie die Polachse des Teleskops in die richtige Höhe über dem südlichen Horizont richtet. Ausrichtung des Teleskops:

1. Stellen Sie sicher, dass die Polachse der Montierung genau nach Süden zeigt. Verwenden Sie eine Markierung, von der Sie wissen, dass sie nach Süden gerichtet ist.
2. Nivellieren Sie das Stativ. Die Nivellierung des Stativs ist nur erforderlich, wenn dieses Verfahren zur Polausrichtung verwendet wird.
3. Justieren die Höhe der Montierung, bis die Breitenanzeige auf Ihre Breite zeigt. Die Verschiebung der Montierung wirkt sich auf den Winkel aus, in den die Polachse zeigt. Nähere Informationen zur Einstellung der äquatorialen Montierung finden Sie im Abschnitt „Justierung der Montierung“ Ihrer Teleskop-Bedienungsanleitung.
4. Wenn das oben beschriebene Verfahren richtig ausgeführt wird, sollten Sie Beobachtungen in der Nähe des Pols durch das Sucherfernrohr und ein schwächeres Okular durchführen können.

Dieses Verfahren kann bequem bei Tageslicht durchgeführt werden. Obwohl dieses Verfahren Sie **NICHT** direkt auf den Pol ausrichtet, schränkt es doch die Anzahl der Korrekturen ein, die Sie bei der Verfolgung eines Objekts vornehmen werden.

## Zeigen auf Sigma Octantis

Dieses Verfahren verwendet den Stern Sigma Octantis als Wegweiser zum Himmelspol. Da Sigma Octantis ca.  $1^\circ$  Grad vom südlichen Himmelspol entfernt ist, können Sie einfach die Polachse Ihres Teleskops auf Sigma Octantis ausrichten. Dies ist zwar keinesfalls eine perfekte Ausrichtung, aber sie weicht nur im Rahmen von  $1^\circ$  ab. Im Gegensatz zum vorherigen Verfahren muss dieses im Dunkeln, wenn Sigma Octantis sichtbar ist, erfolgen. Sigma Octantis hat eine Größe von 5,5 und ist möglicherweise schwer zu sehen. Ein Fernglas sowie das Sucherfernrohr können sich hier als hilfreich erweisen.

1. Installieren Sie das Teleskop so, dass die Polachse nach Süden zeigt.
2. Drehen Sie den Dek.-Kupplungsknopf los und bewegen Sie das Teleskop, so dass der Tubus parallel zur Polachse ist. Nach Abschluss wird auf dem Deklinations-Einstellring  $90^\circ$  ausgewiesen. Wenn der Deklinations-Einstellring nicht ausgerichtet ist, verstellen Sie das Teleskop so, dass der Tubus parallel zur Polachse ist.
3. Justieren Sie die Montierung in der Höhe und/oder Azimut, bis Sigma Octantis im Sichtfeld des Suchers ist.
4. Wenn das oben beschriebene Verfahren richtig ausgeführt wird, sollten Sie Beobachtungen in der Nähe des Pols durch das Sucherfernrohr und ein schwächeres Okular durchführen können.

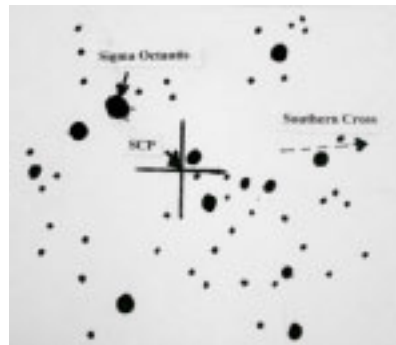


Abb. 4-8

**Beachten Sie, dass Sie bei der Polarausrichtung das Teleskop NICHT in der RA- oder DEK.-Achse bewegen. Es soll nicht das Teleskop selbst, sondern die Polachse bewegt werden. Das Teleskop wird einfach verwendet, um zu sehen, wohin die Polachse zeigt.**

Wie beim vorherigen Verfahren kommen Sie dadurch zwar nicht direkt, aber doch sehr dicht an den Pol heran.

## Lokalisierung des südlichen Himmelspols (SCP)

Dieses Verfahren ermöglicht eine verbesserte Polausrichtung und eine bessere Annäherung an den Pol als die oben beschriebenen Verfahren. Es verhilft Ihnen zu einer höheren Genauigkeit für ernsthaftere Beobachtungen und Fotografie.

In jeder Hemisphäre gibt es einen Punkt im Himmel, um den sich alle anderen Sterne zu drehen scheinen. Diese Punkte nennt man Himmelspole. Sie werden nach der Hemisphäre benannt, in der sie sich befinden. Zum Beispiel bewegen sich alle Sterne in der südlichen Hemisphäre um den südlichen Himmelspol. Wenn die Polachse des Teleskops auf den Himmelspol gerichtet ist, ist sie parallel zur Rotationsachse der Erde.

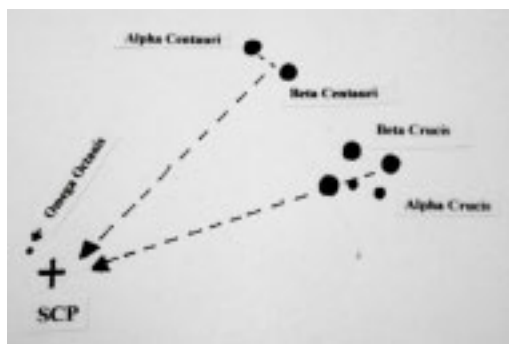


Abb. 4-9

Viele Verfahren der Polausrichtung erfordern, dass man weiß, wie man den Himmelspol durch Identifikation von Sternen in dem Bereich finden kann. Beobachter in der südlichen Hemisphäre haben es schwerer als die in der nördlichen Hemisphäre. Die Sterne um den südlichen Himmelspol sind nicht annähernd so hell wie die um den nördlichen Himmelspol. Der am dichtesten gelegene Stern ist der relativ helle Sigma Octantis. Dieser Stern liegt gerade noch so im Grenzbereich, wo er mit bloßem Auge sichtbar ist (Größe 5,5), und er liegt ca.  $1^\circ$  vom südlichen Himmelspol. Jedoch ist er möglicherweise schwer auffindbar.

Daher verwenden Sie bei diesem Verfahren Sternkonstellationen zur Lokalisierung des südlichen Himmelspols. Ziehen Sie eine imaginäre Linie zum südlichen Himmelspol durch Alpha Crucis und Beta Crucis (im „Kreuz des Südens“). Ziehen Sie eine andere imaginäre Linie zum südlichen Himmelspol im rechten Winkel zu einer Verbindungslinie zwischen Alpha Centauri und Beta Centauri. Der Schnittpunkt dieser zwei imaginären Linien bringt Sie in die Nähe des südlichen Himmelspols.

## Ausrichtung der Einstellringe

Bevor Sie die Einstellringe zur Lokalisierung von Objekten im Himmel verwenden können, müssen Sie den RA-Einstellring (Inkremente von Minuten) ausrichten. Der Deklinations-Einstellring weist eine Gradskala auf. Er wird werksseitig eingestellt und erfordert keine Einstellungen. Die Skala auf dem RA-Einstellring enthält zwei Reihen von Zahlen – eine für die nördliche Hemisphäre (oben) und eine für die südliche Hemisphäre (unten).

Um den RA-Einstellring auszurichten, müssen Sie die Namen von einigen der hellsten Sterne im Himmel kennen. Sie können diese Namen mit Hilfe der Celestron-Himmelskarten (Sky Maps, Bestell.-Nr. 93722) lernen oder indem Sie eine aktuelle Astronomiezeitschrift einsehen.



**Abb. 4 -10**  
Dek.-Ring oben, RA-Ring unten

Ausrichtung des RA-Einstellrings:

1. Machen Sie einen hellen Stern in der Nähe des Himmelsäquators ausfindig. Je weiter Sie vom Himmelspol entfernt sind, umso besser können Sie den RA-Einstellring ablesen. Der Stern, den Sie zur Ausrichtung des Einstellrings ausgewählt haben, sollte ein heller Stern sein, dessen Koordinaten bekannt und einfach nachzusehen sind.
2. Zentrieren Sie den Stern im Sucherteleskop.
3. Schauen Sie durch das Hauptteleskop, um zu sehen, ob der Stern im Gesichtsfeld ist. Wenn nicht, suchen und zentrieren Sie ihn.
4. Sehen Sie die Koordinaten des Sterns nach.
5. Drehen Sie den Ring, bis die richtigen Koordinaten mit dem RA-Anzeiger ausgerichtet sind. Der RA-Einstellring sollte sich frei drehen lassen.

**HINWEIS:** Da sich der RA-Einstellring **NICHT** dreht, wenn das Teleskop in der RA-Achse bewegt wird, muss der Einstellring jedes Mal ausgerichtet werden, wenn Sie mit ihm ein Objekt finden wollen. Es muss jedoch nicht jedes Mal ein Stern verwendet werden. Sie können auch die Koordinaten des Objekts, das Sie gegenwärtig beobachten, verwenden.

Sobald die Ringe ausgerichtet sind, können Sie sie verwenden, um beliebige Objekte mit bekannten Koordinaten zu finden. Die Präzision Ihrer Einstellringe hängt direkt von der Präzision Ihrer Polausrichtung ab.

1. Wählen Sie ein Objekt zur Beobachtung. Verwenden Sie die Sternkarten für die Jahreszeiten, um sicherzustellen, dass das gewählte Objekt über dem Horizont steht. Je mehr Sie mit dem Nachthimmel vertraut sind, desto weniger ist das notwendig.
2. Schlagen Sie die Koordinaten in einem Sternenatlas oder Referenzhandbuch nach.
3. Halten Sie das Teleskop fest und drehen Sie den Dek.-Feststellknopf los.
4. Bewegen Sie das Teleskop in der Deklinationsachse, bis die Anzeige auf die richtige Deklinationskoordinate zeigt.
5. Stellen Sie den Dek.-Feststellknopf fest, damit sich das Teleskop nicht bewegt.
6. Halten Sie das Teleskop fest und drehen Sie den RA-Feststellknopf los.
7. Bewegen Sie das Teleskop in der RA-Achse, bis die Anzeige auf die richtige Koordinate zeigt.
8. Stellen Sie den RA-Feststellknopf fest, damit sich das Teleskop nicht aus der RA-Achse verlagert.
9. Schauen Sie durch den Sucher um zu sehen, ob Sie das Objekt lokalisiert haben, und zentrieren Sie das Objekt im Sucher.
10. Nun sollten Sie das Objekt durch das Hauptteleskop sehen können. Manche schwächere Objekte sind eventuell nicht im Sucherteleskop zu sehen. In dem Fall bietet sich die Verwendung einer Sternkarte des Bereichs an, um Ihr Zielobjekt durch „Starhopping“ zu finden.
11. Dieses Verfahren kann für jedes Objekt im Verlauf der Nacht wiederholt werden.

## Motorantrieb

Um die Verfolgung von Himmelsobjekten zu ermöglichen, bietet Celestron einen einachsigen Gleichstrommotor für die äquatoriale PowerSeeker-Montierung an. Nach der Polausrichtung verfolgt der Motorantrieb präzise Objekte in Rektaszension (RA), während sich diese über den Himmel bewegen. Nur geringfügige Einstellungen der Deklination sind dann erforderlich, um Himmelsobjekte für lange Zeiträume im Okular zentriert zu halten. Dieser Motorantrieb ist im Lieferumfang mancher Modelle enthalten. Er wird auch als optionales Zubehör (Best.-Nr. 93514) für andere Modelle angeboten.

### Installation des Motorantriebs – bei Kauf als optionales Zubehör.

Die Befestigung des Motorantriebs erfolgt über ein flexibles Verbindungsstück, das am RA-Zeitlupenschaft installiert wird, und eine Motorhalterung, die den Motor festhält. Richten Sie sich bei der Installation des Motors nach der nachstehende Beschreibung und den Fotos:

1. Stellen Sie sicher, dass das RA-Zeitlupen-Kontrollkabel am RA-Schaft gegenüber der Breitengradskala befestigt ist.
2. Entfernen Sie die Innensechskantschraube an der Seite des Polschafts.
3. Schieben Sie das offene Ende des flexiblen Motorverbindungsstücks über den RA-Schaft. Achten Sie darauf, dass die Schraube am flexiblen Motorverbindungsstück über dem flachen Teil des RA-Schafts positioniert ist.
4. Ziehen Sie die Schraube des Motorverbindungsstücks mit einem Schlitzschraubendreher fest.
5. Drehen Sie den Motor auf dem Schaft, bis der geschlitzte Ausschnitt an der Motorhalterung mit der Gewindeöffnung im Zentrum der Breitengrad-Schwenkachse der Montierung ausgerichtet ist.
6. Stecken Sie die Innensechskantschraube durch die Motorhalterung und schrauben Sie sie in die Öffnung seitlich an der Schwenkachse. Ziehen Sie dann die Schraube mit einem Inbusschlüssel fest.

Befestigungsschrauben



Abb. 4-11

Flexibles Motorverbindungsstück

Motorhalterung

Innensechskantschraube

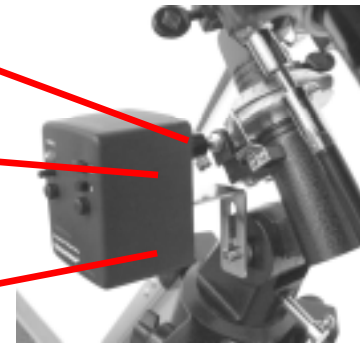


Abb. 4-12

### Betrieb des Motorantriebs

Der Motorantrieb wird mit einer 9-Volt-Alkaline-Batterie betrieben. Der Antrieb kann damit bis zu 40 Stunden betrieben werden, je nach der Motorgeschwindigkeitseinstellung und der Umgebungstemperatur. Die Batterie sollte bereits eingesetzt sein, aber falls das nicht der Fall ist (oder wenn die Batterie ausgewechselt wird) drehen Sie die beiden Befestigungsschrauben los – siehe Abb. 4-11. Nehmen Sie zuerst die Bedienfeldplatte von der Motoreinheit und dann die Motorhalterung vom Motor ab. Dann haben Sie Zugang zur Batterie, die an Kabel angeschlossen ist, zur Installation oder zum Ersatz. Führen Sie dann diese Schritte in der umgekehrten Reihenfolge aus, um den Motorantrieb wieder an der Montierung zu befestigen.

Der Motorantrieb ist mit einem Geschwindigkeitsregler ausgerüstet (in Abb. 4-11 befindet er sich oberhalb der Befestigungsschraube), der die Motorverfolgung mit höherer oder geringerer Geschwindigkeit erlaubt. Das ist nützlich bei der Beobachtung von nicht-stellaren Objekten wie der Sonne oder dem Mond, die sich mit einer von den Sternen leicht abweichenden Geschwindigkeit bewegen. Zur Änderung der Geschwindigkeit des Motors schieben Sie den Ein/Aus-Schalter in die „ON-Position“. Daraufhin leuchtet die rote Stromanzeige auf. Drehen Sie dann den Geschwindigkeitsregelknopf im Uhrzeigersinn, um die Geschwindigkeit des Motors zu erhöhen, oder gegen den Uhrzeigersinn, um die Geschwindigkeit zu verringern.

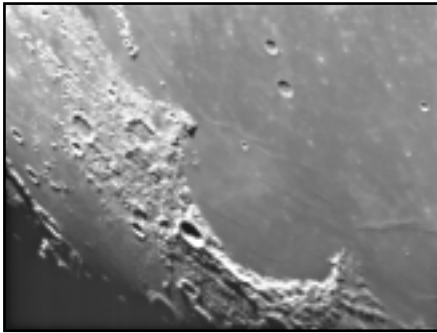
Zur Ermittlung der richtigen Geschwindigkeit sollte das Teleskop in etwa polausgerichtet sein. Suchen Sie einen Stern auf dem Himmelsäquator (ca. 0° Deklination) und zentrieren Sie ihn in einem Okular von geringer Vergrößerungsleistung. Schalten Sie nun den Antrieb ein und lassen Sie das Teleskop 1 oder 2 Minuten verfolgen. Wenn der Stern nach ein paar Minuten nach Westen abdriftet, verfolgt der Motor zu langsam und die Motorgeschwindigkeit sollte erhöht werden. Wenn der Stern nach Osten abdriftet, verringern Sie die Motorgeschwindigkeit. Wiederholen Sie diesen Prozess, bis der Stern einige Minuten im Okular zentriert bleibt. Ein Abdriften des Sterns in der Deklinationsachse kann ignoriert werden.

Der Antrieb ist auch mit einem N/S-Schalter ausgestattet, der zum Betrieb in der nördlichen oder südlichen Hemisphäre eingestellt werden kann.

# **CELESTRON** **Himmelsbeobachtung**

Wenn Ihr Teleskop aufgebaut ist, ist es zur Beobachtung bereit. Dieser Abschnitt enthält Hinweise zur visuellen Beobachtung von Sonnensystem- und Deep-Sky-Objekten sowie Informationen zu allgemeinen Bedingungen, die einen Einfluss auf Ihre Beobachtungsfähigkeit haben.

## **Mondbeobachtung**



Die Versuchung, den Mond zu beobachten, ist bei Vollmond am größten. Zu diesem Zeitpunkt ist das Mondgesicht voll beleuchtet und sein Licht kann übermächtig sein. Außerdem ist in dieser Phase wenig oder kein Kontrast sichtbar.

Die partiellen Phasen (ungefähr das erste oder dritte Viertel) gelten als optimale Zeiten der Mondbeobachtung. Die langen Schatten enthüllen dann viele Details auf der Mondoberfläche. Sie können mit geringer Vergrößerung den größten Teil der Mondscheibe auf einmal sehen. Wenn Sie einen kleineren Bereich schärfer einstellen wollen, wechseln Sie zu einem optionalen Okular mit höherer Vergrößerung.

### **Empfehlungen zur Mondbeobachtung**

Optionale Filter können zur Steigerung des Kontrasts und zur besseren Sichtbarmachung von Details auf der Mondoberfläche verwendet werden. Ein Gelbfilter ist geeignet, um den Kontrast zu verbessern. Ein polarisierender Filter oder Filter mit neutraler Dichte reduziert die gesamte Oberflächenhelligkeit und Blendung.

## **Beobachtung der Planeten**

Andere faszinierende Ziele sind u.a. die fünf Planeten, die mit bloßem Auge zu sehen sind. Man kann sehen, wie Venus ihre mondähnlichen Phasen durchläuft. Der Mars kann eine Menge Oberflächendetails sowie eine oder sogar beide Polarkappen erkennen lassen. Sie werden auch die Wolkengürtel von Jupiter und den großen roten Fleck gut erkennen können (wenn er zum Beobachtungszeitpunkt sichtbar ist). Außerdem können Sie die Jupitermonde auf ihrer Umlaufbahn um den Riesenplaneten erkennen. Die Ringe des Saturn sind leicht mit mäßiger Vergrößerung sichtbar.



### **Empfehlungen zur Planetenbeobachtung**

- Die atmosphärischen Bedingungen sind in der Regel die Faktoren, die einschränken, wie viele feine Details der Planeten erkennbar sind. Man sollte daher die Planeten möglichst nicht dann beobachten, wenn sie sich tief am Horizont befinden oder wenn sie direkt über einer Wärmestrahlungsquelle, wie z.B. ein Dach oder Kamin, stehen. Nähere Informationen dazu finden Sie unter „Beobachtungsbedingungen“ weiter unten in diesem Abschnitt.
- Celestron-Okularfilter können zur Steigerung des Kontrasts und zur besseren Sichtbarmachung von Details auf der Planetenoberfläche verwendet werden.

## **Beobachtung der Sonne**

Obwohl sie oftmals von Amateurastronomen übersehen wird, ist die Sonnenbeobachtung interessant und macht Spaß. Wegen der Helligkeit der Sonne müssen jedoch bei der Beobachtung dieses Sterns besondere Vorsichtsmaßnahmen ergriffen werden, um Schäden an Ihren Augen und am Teleskop zu verhindern.

Zur Sonnenbeobachtung muss ein angemessener Sonnenfilter verwendet werden, der die Intensität des Sonnenlichts verringert, damit man die Sonne sicher betrachten kann. Mit einem Filter können Sie Sonnenflecken erspähen, während diese über die Sonnenscheibe und Faculae, d.h. helle Flecken in der Nähe des Sonnenrandes, wandern.

- Die beste Zeit zur Sonnenbeobachtung ist am frühen Morgen oder Spätnachmittag, wenn die Luft kühler ist.
- Zur Zentrierung der Sonne, ohne durch das Okular zu schauen, beobachten Sie den Schatten des Teleskoptubus, bis er einen kreisförmigen Schatten bildet.

## Beobachtung der Deep-Sky-Objekte

Deep-Sky-Objekte (extrasolare Objekte) sind einfach die Objekte außerhalb der Grenzen unseres Sonnensystems. Sie umfassen Sternhaufen, planetarische Nebel, diffuse Nebel, Doppelsterne (Double Stars) und andere Galaxien außerhalb unserer eigenen Milchstraße. Die meisten Deep-Sky-Objekte haben eine große Winkelgröße. Sie sind daher mit geringer bis mäßiger Vergrößerung gut zu erkennen. Sie sind visuell zu schwach, um die in Fotos mit langen Belichtungszeiten sichtbare Farbe erkennen zu lassen. Sie erscheinen stattdessen schwarz-weiß. Und wegen ihrer geringen Oberflächenhelligkeit sollten sie von einem Standort mit dunklem Himmel aus beobachtet werden. Durch die Lichtverschmutzung in großen Stadtgebieten werden die meisten Nebel ausgewaschen. Dadurch wird ihre Beobachtung schwierig, wenn nicht sogar unmöglich. Filter zur Reduktion der Lichtverschmutzung helfen, die Hintergrundhimmelselligkeit zu reduzieren und somit den Kontrast zu steigern.

## Beobachtungsbedingungen

Die Beobachtungsbedingungen beeinflussen, was Sie in einer Beobachtungssession durch Ihr Teleskop erspähen können. Diese Bedingungen sind u.a. Transparenz, Himmelsbeleuchtung und Sicht. Ein Verständnis der Beobachtungsbedingungen und ihre Wirkung auf die Beobachtung hilft Ihnen, einen optimalen Nutzen aus Ihrem Teleskop zu ziehen.

### Transparenz

Transparenz ist die Klarheit der Atmosphäre, die durch Wolken, Feuchtigkeit und andere Schwebeteilchen beeinträchtigt wird. Dicke Cumuluswolken sind völlig undurchsichtig, während Zirruswolken dünn sein und das Licht von den hellsten Sternen durchlassen können. Ein trüber Himmel absorbiert mehr Licht als ein klarer Himmel. Dadurch sind schwächere Objekte schwerer erkennbar und der Kontrast von helleren Objekten wird verringert. Aerosole, die aus Vulkanausbrüchen in die obere Atmosphäre geschleudert werden, können sich ebenfalls auf die Transparenz auswirken. Ideale Bedingungen liegen vor, wenn der Nachthimmel pechschwarz ist.

### Himmelsbeleuchtung

Die allgemeine Erhellung des Himmels durch den Mond, Polarlicht, das natürliche Luftleuchten und Lichtverschmutzung haben eine große Auswirkung auf die Transparenz. Obwohl dies kein Problem bei helleren Sternen und Planeten ist, reduziert ein heller Himmel den Kontrast von längeren Nebeln, wodurch sie nur schwer oder gar nicht zu sehen sind. Beschränken Sie Ihre Deep-Sky-Beobachtungen auf mondlose Nächte in weiter Entfernung des lichtverschmutzten Himmels im Umfeld von großen Städten, um optimale Beobachtungsbedingungen zu schaffen. LPR-Filter verbessern die Deep-Sky-Beobachtung aus Bereichen mit Lichtverschmutzung, weil sie unerwünschtes Licht abblocken und nur Licht von bestimmten Deep-Sky-Objekten durchlassen. Planeten und Sterne können jedoch von lichtverschmutzten Regionen aus oder wenn der Mond scheint beobachtet werden.

### Sicht

Die Sichtbedingungen beziehen sich auf die Stabilität der Atmosphäre. Sie haben eine direkte Auswirkung auf die feinen Details, die man in entfernteren Objekten sehen kann. Die Luft in unserer Atmosphäre wirkt wie eine Linse, die hereinkommende Lichtstrahlen beugt und verzerrt. Der Umfang der Beugung hängt von der Luftdichte ab. Verschiedene Temperaturschichten haben verschiedene Dichten und beugen daher das Licht anders. Die Lichtstrahlen vom gleichen Objekt kommen leicht verlagert an und führen so zu einem unvollkommenen oder verschmierten Bild. Diese atmosphärischen Störungen sind von Zeit zu Zeit und Ort zu Ort verschieden. Die Größe der Luftpakete im Vergleich zu Ihrer Blendenöffnung bestimmt die Qualität der „Sicht“. Unter guten Sichtbedingungen sind feine Details auf den helleren Planeten, wie z.B. Jupiter und Mars, sichtbar und die Sterne sind als haargenaue Bilder zu sehen. Unter schlechten Sichtbedingungen sind die Bilder unscharf und die Sterne erscheinen als Klumpen.

Die hier beschriebenen Bedingungen gelten für visuelle und fotografische Beobachtungen.



Abb. 5-1

Die Sichtbedingungen wirken sich direkt auf die Bildqualität aus. Diese Abbildungen stellen eine Punktquelle (d.h. Stern) unter schlechten Sichtbedingungen (links) bis ausgezeichneten Sichtbedingungen (rechts) dar. Meistens produzieren Sichtbedingungen Bilder, die irgendwo zwischen diesen Extremen liegen.



Die Teleskope der PowerSeeker-Serie wurden für visuelle Beobachtung entwickelt. Nachdem Sie den nächtlichen Himmel durch Ihre Beobachtungen besser kennen gelernt haben, haben Sie vielleicht den Wunsch, Fotos davon zu machen. Mehrere fotografische Ansätze sind mit Ihrem Teleskop für Himmels- und terrestrische Fotografie möglich. Eine Auswahl der möglichen fotografischen Verfahren wird nachstehend beschrieben. Wir empfehlen Ihnen auch, verschiedene Bücher mit detaillierten Informationen zu diesem Thema zu Rate zu ziehen.

Als Mindestanforderung brauchen Sie eine Digitalkamera oder eine 35 mm SLR-Kamera. Aufsetzen der Kamera auf das Teleskop:

- Digitalkamera – Sie benötigen einen Universal-Digitalkamera-Adapter (Best.-Nr. 93626). Mit dem Adapter kann die Kamera für terrestrische Fotografie und Primärfokus-Astrofotografie fest installiert werden.
- 35 mm SLR-Kamera – Sie müssen Ihr Objektiv von der Kamera abnehmen und einen T-Ring für Ihr jeweiliges Kameramodell aufsetzen. Dann brauchen Sie noch einen T-Adapter (Best.-Nr. 93625) zum Aufsatz am T-Ring an einem Ende und am anderen Ende am Teleskop-Fokustubus. Jetzt ist das Kameraobjektiv Ihr Teleskop.

### **Primärfokus-Fotografie mit kurzen Belichtungszeiten**

Die Primärfokus-Fotografie mit kurzen Belichtungszeiten ist das für Anfänger am besten geeignete Verfahren zur Aufnahme von Himmelsobjekten. Hierzu setzen Sie Ihre Kamera auf das Teleskop auf, wie es im Abschnitt oben beschrieben wurde. Ein paar Punkte sind zu beachten:

- Teleskop polar ausrichten (parallaktisch) und den optionalen Motorantrieb für Tracking starten.
- Sie können den Mond und die helleren Planeten aufnehmen. Sie werden mit verschiedenen Einstellungen und Belichtungszeiten experimentieren müssen. Viele der notwendigen Informationen sind in der Bedienungsanleitung Ihrer Kamera enthalten. Außerdem finden Sie detaillierte Informationen in Büchern zu diesem Thema.
- Wählen Sie für Ihre Fotoaufnahmen möglichst einen Beobachtungsstandort mit dunklem Himmel.

### **Huckepack-Fotografie**



Abb. 6-1

Die mit den 70EQ, 80EQ, 114EQ und 127EQ-Teleskopen mögliche Huckepack-Fotografie erfolgt mit einer oben auf dem Teleskop aufgesetzten Kamera und ihrem normalen Objektiv. Mit dieser Technik können Sie komplette Sternbilder erfassen und große Nebel aufzeichnen. Befestigen Sie Ihre Kamera mit der Huckepack-Adapterschraube (Abb. 6-1), die sich oben auf dem Tubusmontagering befindet (Ihre Kamera muss an der Unterseite eine Gewindeöffnung haben, in die diese Schraube passt). Sie müssen das Teleskop polar ausrichten (parallaktisch) und den optionalen Motorantrieb für Tracking starten.

### **Planeten- und Mondfotografie mit Spezial-Imager**

In den letzten Jahren ist eine neue Technologie entwickelt worden, mit der hervorragende Planeten- und Mondaufnahmen relativ einfach geworden sind. Die Ergebnisse sind einfach erstaunlich! Celestron bietet NexImage (Best.-Nr. 93712), eine Spezialekamera mit Software zur Bildbearbeitung, an. Damit können Sie Planetaufnahmen in Ihrer ersten Beobachtungsnacht machen, die es mit professionellen Fotos aufnehmen können, die vor nur ein paar Jahren mit großen Teleskopen gemacht wurden.

### **CCD-Aufnahmen von Deep-Sky-Objekten**

Spezialekameras wurden zur Aufnahme von Deep-Sky-Bildern entwickelt. Diese sind in den letzten Jahren weiterentwickelt worden und sind jetzt preiswerter geworden, so dass Amateure fantastische Fotos damit machen können. Auf dem Markt sind Bücher erhältlich, die Ihnen vermitteln, wie Sie optimale Bilder erzielen. Die Technologie wird immer weiter verfeinert, so dass die auf dem Markt erhältlichen Produkte besser und benutzerfreundlicher werden.

### **Terrestrische Fotografie**

Ihr Teleskop kann als hervorragendes Teleobjektiv für terrestrische (Land-) Fotografie verwendet werden. Landschaftsaufnahmen, Fotos von Wildtieren, Naturaufnahmen – alles ist möglich. Um optimale Bilder zu erzielen, müssen Sie mit der Scharfstellung, Geschwindigkeiten etc. experimentieren. Sie können Ihre Kamera mit einem Adapter, wie oben auf dieser Seite beschrieben, anschließen.



# **Pflege des Teleskops**

Ihr Teleskop erfordert wenig Pflege, aber einige Punkte sollten Sie doch beachten, um sicherzustellen, dass Sie eine optimale Leistung von Ihrem Teleskop erhalten.

## **Pflege und Reinigung der Optik**

Gelegentlich sammelt sich Staub und/oder Feuchtigkeit auf der Objektivlinse oder dem Hauptspiegel an, je nachdem welche Art von Teleskop Sie haben. Wie bei jedem anderen Instrument ist die Reinigung mit besonderer Vorsicht durchzuführen, damit die Optik nicht beschädigt wird.

Wenn sich auf der Optik Staub angesammelt hat, entfernen Sie ihn mit einem Pinsel (Kamelhaar) oder einer Druckluftdose. Sprühen Sie ca. 2 bis 4 Sekunden im Winkel auf die Glasoberfläche. Entfernen Sie dann alle Reste mit einer Reinigungslösung für optische Produkte und einem weißen Papiertuch. Geben Sie die Lösung auf das Tuch und reinigen Sie dann die Optik mit dem Papiertuch. Reinigen Sie die Linse (oder den Spiegel) mit geringer Druckanwendung von der Mitte nach außen. **NICHT mit einer Kreisbewegung reiben!**

Die Reinigung kann mit einem im Handel erhältlichen Linsenreiniger oder einer selbst hergestellten Mischung vorgenommen werden. Eine geeignete Reinigungslösung ist mit destilliertem Wasser vermischter Isopropylalkohol. Zur Herstellung der Lösung nehmen Sie 60 % Isopropylalkohol und 40 % destilliertes Wasser. Auch ein mit Wasser verdünntes Flüssiggeschirrspülmittel (ein paar Tropfen pro ca. 1 Liter) kann verwendet werden.

Gelegentlich kann sich in einer Beobachtungssession Tau auf der Optik des Teleskops ansammeln. Wenn Sie weiter beobachten wollen, muss der Tau entfernt werden, und zwar mit einem Fön (niedrige Einstellung) oder indem das Teleskop auf den Boden gerichtet wird, bis der Tau verdampft ist.

Wenn im Innern der Optik Feuchtigkeit kondensiert, nehmen Sie die Zubehörteile vom Teleskop ab. Bringen Sie das Teleskop in eine staubfreie Umgebung und richten Sie es auf den Boden. Auf diese Weise wird die Feuchtigkeit aus dem Teleskoptubus entfernt.

Setzen Sie nach dem Gebrauch alle Objektivabdeckungen wieder auf, um den Reinigungsbedarf Ihres Teleskops möglichst gering zu halten. Da die Zellen NICHT verschlossen sind, müssen die Öffnungen bei Nichtgebrauch mit den Abdeckungen geschützt werden. Auf diese Weise wird verhindert, dass verschmutzende Substanzen in den optischen Tubus eindringen.

Interne Einstellungen und Reinigungen dürfen nur durch die Reparaturabteilung von Celestron ausgeführt werden. Wenn Ihr Teleskop eine interne Reinigung erfordert, rufen Sie das Werk an, um sich eine Rücksende-Genehmigungsnummer geben zu lassen und den Preis zu erfragen.

## **Kollimation eines Newton-Teleskops**

Die optische Leistung der meisten Newton-Reflektorteleskope kann bei Bedarf durch Neukollimation (Ausrichtung) der Teleskopoptik optimiert werden. Kollimation eines Teleskops bedeutet ganz einfach, dass die optischen Elemente ausgeglichen werden. Eine unzureichende Kollimation hat optische Unregelmäßigkeiten und Verzerrungen zur Folge.

Vor Ausführung der Kollimation Ihres Teleskops müssen Sie sich mit allen seinen Komponenten vertraut machen. Der Hauptspiegel ist der große Spiegel am hinteren Ende des Teleskoptubus. Dieser Spiegel wird durch Lösen und Festziehen der drei Schrauben (im Abstand von 120 Grad voneinander) am Ende des Teleskoptubus eingestellt. Der Zweitspiegel (der kleine elliptische Spiegel unter dem Fokussierer, vorne im Tubus) weist ebenfalls drei Einstellungsschrauben zur Durchführung der Kollimation auf (dazu brauchen Sie optionale Werkzeuge, die nachstehend beschrieben werden). Um festzustellen, ob Ihr Teleskop kollimiert werden muss, richten Sie zunächst das Teleskop auf eine helle Wand oder den blauen Himmel draußen.

### **Ausrichtung des Zweitspiegels**

Das im Folgenden beschriebene Verfahren gilt für die Kollimation Ihres Teleskops am Tage und setzt die Verwendung des optionalen Newton-Kollimationsinstruments (Best.-Nr. 94183), das bei Celestron erhältlich ist, voraus. Zur Kollimation des Teleskops ohne das Kollimationsinstrument lesen Sie bitte den Abschnitt über Sternkollimation bei Nacht unten. Für eine hochpräzise Kollimation ist das optionale Kollimationsokular 1 ¼ Zoll (Best.-Nr. 94182) erhältlich.

Wenn sich im Fokussierer ein Okular befindet, entfernen Sie es. Schieben Sie den Fokussiertubus unter Einsatz der Fokussierknöpfe vollständig ein, bis der Silbertubus nicht mehr sichtbar ist. Sie werden durch den Fokussierer auf eine Reflexion des Zweitspiegels schauen, die vom Hauptspiegel projiziert wird. Während dieses Schritts ignorieren Sie die silhouettenhafte Reflexion des Hauptspiegels. Stecken Sie den Kollimationsdeckel in den Fokussierer und schauen Sie hindurch. Wenn der Fokus ganz eingezogen ist, sollte der gesamte Hauptspiegel als Reflexion im Zweitspiegel sichtbar sein. Wenn der Hauptspiegel nicht im Zweitspiegel zentriert ist, stellen Sie die Schrauben des Zweitspiegels ein, indem Sie sie abwechselnd festziehen und lösen, bis die Peripherie des Hauptspiegels in Ihrem Sichtfeld zentriert ist. Die mittlere Schraube in der Halterung des Zweitspiegels NICHT lösen oder festziehen, da sie den Spiegel in der richtigen Position hält.

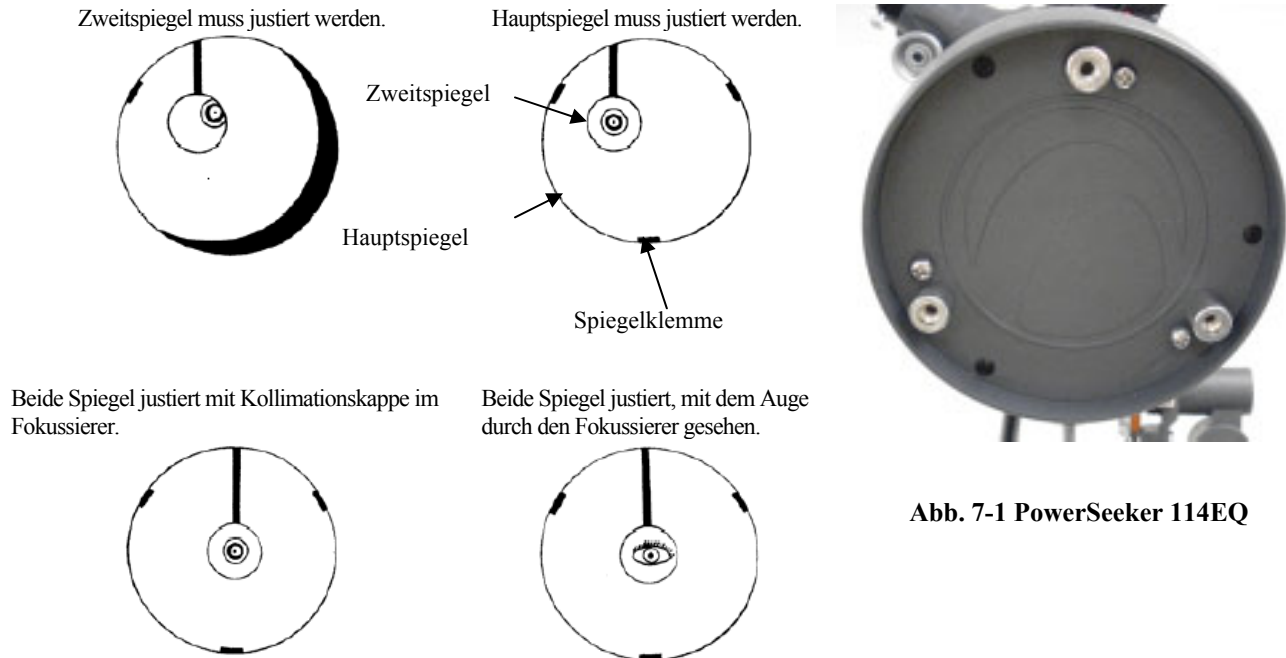


## Ausrichtung des Hauptspiegels

Stellen Sie jetzt die Schrauben des Hauptspiegels ein, um die Reflexion des kleinen Zweitspiegels so neu zu zentrieren, dass sie silhouettenhaft gegen die Ansicht des Hauptspiegels erscheint. Wenn Sie in den Fokussierer schauen, sollten die Silhouetten des Spiegels konzentrisch erscheinen. Wiederholen Sie Schritt 1 und 2, bis das der Fall ist.

Entfernen Sie den Kollimatordeckel und blicken Sie in den Fokussierer, wo Sie jetzt die Reflexion Ihres Auges im Zweitspiegel sehen sollen.

### Kollimationsansichten mit Newton, durch den Fokussierer mit der Kollimationskappe gesehen



## Sternkollimation bei Nacht

Nach erfolgreichem Abschluss der Kollimation bei Tage kann die Sternkollimation bei Nacht erfolgen. Hierzu wird der Hauptspiegel sorgfältig eingestellt, während sich der Teleskoptubus auf seiner Montierung befindet und auf einen hellen Stern gerichtet ist. Das Teleskop sollte bei Nacht aufgebaut werden und das Bild eines Sterns sollte bei mittlerer bis hoher Vergrößerung (30-60-fache Vergrößerung pro Zoll Blendenöffnung) betrachtet werden. Wenn ein nicht symmetrisches Fokusbild vorliegt, kann es möglich sein, das zu korrigieren, indem nur der Hauptspiegel neu kollimiert wird.

### Verfahren (lesen Sie vor Beginn diesen Abschnitt ganz durch):

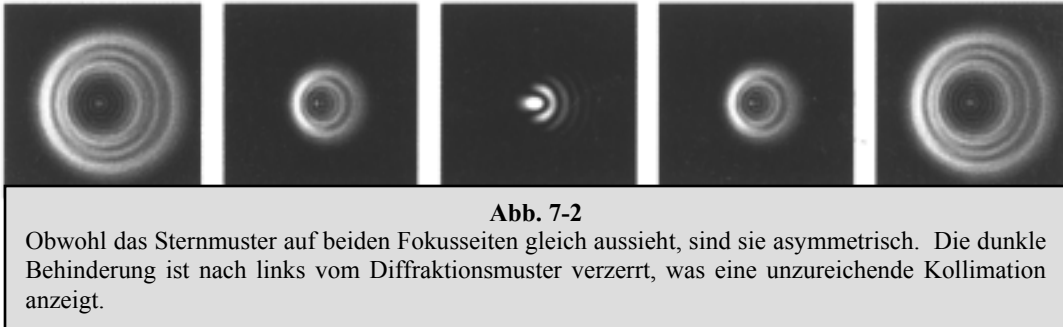
Zur Durchführung einer Sternkollimation in der nördlichen Hemisphäre richten Sie das Teleskop auf einen feststehenden Stern, wie z.B. den Nordstern (Polarstern). Sie finden ihn im Nordhimmel in einer Entfernung über dem Horizont, die Ihrem Breitengrad entspricht. Es ist auch der Endstern der Deichsel im Kleinen Wagen. Der Polarstern ist nicht der hellste Stern im Himmel und kann sogar schwach erscheinen, je nach Ihren Himmelsbedingungen. Für die südliche Hemisphäre zeigen Sie auf Sigma Octantis.

Machen Sie vor der Neukollimation des Hauptspiegels die Kollimationsschrauben hinten am Teleskoptubus ausfindig. Die hintere Zelle (in Abb. 7-1 gezeigt) weist drei große Daumenschrauben (bei manchen Modellen sind es keine Daumenschrauben) auf, die zur Kollimation verwendet werden. Die drei kleinen Daumenschrauben dienen zur Feststellung des Spiegels. Die Kollimationsschrauben neigen den Hauptspiegel. Sie drehen zunächst die kleinen Feststellschrauben jeweils um ein paar Drehungen los. Normalerweise machen Bewegungen in der Größenordnung von  $1/8$ -Drehung einen Unterschied; eine ca.  $1/2$  bis  $3/4$ -Drehung ist maximal für die großen Kollimationsschrauben erforderlich. Drehen Sie jeweils nur eine Kollimationsschraube und prüfen Sie mit einem Kollimationsinstrument oder -okular, wie sich die Drehung auf die Kollimation auswirkt (siehe den nachstehenden Abschnitt). Nach ein bisschen Experimentieren erzielen Sie schließlich die gewünschte Zentrierung.

Es ist empfehlenswert, das optionale Kollimationsinstrument oder Kollimationsokular zu verwenden. Schauen Sie in den Fokussierer und stellen Sie fest, ob die Reflexion des Zweispiegels dichter an die Mitte des Hauptspiegels gewandert ist.

Fokussieren Sie – bei Zentrierung des Polarsterns oder eines hellen Sterns im Gesichtsfeld – entweder mit dem Standardokular oder Ihrem Okular mit der größten Vergrößerungsleistung, d.h. mit der kleinsten Brennweite in mm (z.B. 6 mm oder 4 mm). Eine andere Option ist, ein Okular mit längerer Brennweite mit Barlow-Linse zu verwenden. Wenn ein Stern scharf eingestellt ist, sollte er wie ein scharfer Lichtpunkt aussehen. Wenn er bei scharfer Einstellung eine unregelmäßige Form hat oder am Rande ein flackernder Lichtschein erscheint, bedeutet das, dass Ihre Spiegel nicht richtig ausgerichtet sind. Wenn Sie also das Erscheinen eines flackernden Lichtscheins von dem Stern mit einem festen Standort bemerken, wenn Sie dicht an der präzisen Scharfeinstellung sind, erhalten Sie durch Rekollimation ein schärferes Bild.

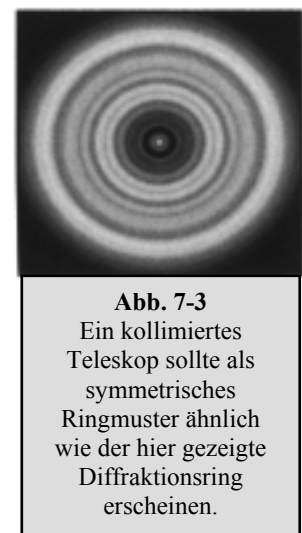
Wenn Sie mit der Kollimation zufrieden sind, ziehen Sie die kleinen Feststellschrauben fest an.



Beachten Sie die Richtung, in der das Licht aufzuflackern scheint. Wenn es zum Beispiel in Richtung auf die 3-Uhr-Position im Gesichtsfeld zu flackern scheint, dann müssen Sie die Schraube oder Kombination von Kollimationsschrauben bewegen, die zur Bewegung des Bild des Sterns in die Richtung des Aufblackerns notwendig ist. In diesem Beispiel würden Sie das Bild des Sterns in Ihrem Okular durch Einstellung der Kollimationsschrauben in Richtung auf die 3-Uhr-Position im Gesichtsfeld verschieben. Es ist manchmal lediglich erforderlich, eine Schraube ausreichend zu justieren, um das Bild des Sterns vom Mittelpunkt des Gesichtsfeldes auf ungefähr die Hälfte oder weniger in Richtung auf den Rand des Gesichtsfeldes zu verschieben (bei Verwendung eines Okulars mit hoher Vergrößerungsleistung).

Die Kollimationseinstellungen werden am besten vorgenommen, während die Position des Sterns im Gesichtsfeld betrachtet wird und gleichzeitig die Einstellungsschrauben dabei gedreht werden. Auf diese Weise sehen Sie genau, in welche Richtung die Bewegung erfolgt. Es kann hilfreich sein, wenn zwei Personen dieses Verfahren zusammen ausführen: Einer beobachtet das Objekt und gibt Anweisungen, welche Schrauben gedreht werden sollen und um wie viel; der andere nimmt die Einstellungen vor.

**WICHTIG:** Nach Vornahme der ersten bzw. jeden Einstellung ist es erforderlich, den Teleskoptubus wieder auf das Objekt auszurichten, um den Stern wieder in der Mitte des Gesichtsfeldes zu zentrieren. Das Bild des Sterns kann dann in Bezug auf Symmetrie beurteilt werden, indem man mehrmals die präzise Scharfeinstellung nur ganz leicht verändert und dabei das Muster des Sterns beobachtet. Wenn die richtigen Einstellungen vorgenommen werden, sollte sich eine Verbesserung zeigen. Da drei Schrauben vorhanden sind, ist es u.U. erforderlich, mindestens zwei zu bewegen, um die erforderliche Spiegelbewegung zu erreichen.





# Optionales Zubehör

Die zusätzlichen Zubehörteile für Ihr PowerSeeker-Teleskop werden Ihr Beobachtungserlebnis noch beeindruckender machen und eröffnen Ihnen noch mehr Möglichkeiten zur Verwendung des Teleskops. In der folgenden Liste ist nur eine Auswahl von verschiedenen Zubehörteilen mit einer kurzen Beschreibung zusammen gestellt. Besuchen Sie die Celestron-Website oder den Zubehörcatalog von Celestron, um alle lieferbaren Zubehörartikel mit einer Beschreibung zu sehen.

**Himmelskarten (Best.-Nr. 93722)** – Celestron-Himmelskarten (Sky Maps) sazimutind der ideale Leitfaden, um mehr über den Nachthimmel zu lernen. Selbst wenn Sie die wichtigen Konstellation bereits navigieren können, können Ihnen diese Karten helfen, alle möglichen faszinierenden Objekte aufzufinden.



**Omni Plössl-Okulare** – Diese Okulare sind preiswert und bieten messerscharfe Ansichten im gesamten Feld. Sie haben ein 4-Element-Linsen-Design und sind in den folgenden Brennweiten erhältlich: 4 mm, 6 mm, 9 mm, 12,5 mm, 15 mm, 20 mm, 25 mm, 32 mm und 40 mm – alle mit 1,25 Zoll Steckhülsen.

**Omni Barlow-Linse (Best.-Nr. 93326)** – Verwendbar mit allen Okularen. Sie verdoppelt die Vergrößerung des jeweiligen Okulars. Eine Barlow-Linse ist eine negative Linse, die die Brennweite eines Teleskops erhöht. Die 2x Omni hat eine 1,25 Zoll Steckhülse, eine Länge von unter 76 mm (3 Zoll) und ein Gewicht von nur 113 g (4 oz.).

**Mondfilter (Best.-Nr. 94119-A)** – Dieser preiswerte 1,25“-Okularfilter reduziert die Helligkeit des Mondes und verbessert den Kontrast, so dass auf der Mondoberfläche mehr Detail beobachtet werden kann.



**UHC/LPR-Filter 1,25 Zoll (Best.-Nr. 94123)** – Dieser Filter dient zur Verbesserung Ihrer Ansicht von astronomischen extrasolaren (Deep-Sky) Objekten bei Beobachtung in Stadtregionen. Er reduziert selektiv die Übertragung von bestimmten Lichtwellenlängen, besonders solchen, die von künstlichen Lichtern erzeugt werden.

**Taschenlampe, Nachtsicht (Best.-Nr. 93588)** – Die Celestron-Taschenlampe verwendet zwei rote LEDs, um die Nachtsicht besser als rote Filter oder andere Geräte zu erhalten. Die Helligkeit ist einstellbar. Zu ihrem Betrieb ist eine 9-Volt-Batterie (mitgeliefert) enthalten.

**Kollimationsinstrument (Best.-Nr. 94183)** – Dieses praktische Zubehörteil erleichtert die Kollimation Ihres Newton-Teleskops. Eine detaillierte Beschreibung ist enthalten.

**Kollimationsokular – 1,25 Zoll (Best.-Nr. 94182)** – Das Kollimationsokular ist ideal für die präzise Kollimation von Newton-Teleskopen geeignet.

**Digitalkamera-Adapter – Universal (Best.-Nr. 93626)** – Eine Universal-Montierungsplattform, die die afokale Fotografie (Fotografie durch das Okular eines Teleskops) mit 1,25 Zoll Okularen mit einer Digitalkamera ermöglicht.



**T-Adapter – Universal 1,25 Zoll (Best.-Nr. 93625)** – Dieser Adapter ist mit dem 1,25 Zoll Fokussierer Ihres Teleskops kompatibel. Er ermöglicht den Anbau einer 35 mm SLR-Kamera für terrestrische sowie Mond- und Planetenfotografie.

**Motorantrieb (Best.-Nr. 93514)** – Ein einachsiger (RA)-Motorantrieb für PowerSeeker-Teleskope gleicht die Drehung der Erde aus und hält das Objekt im Gesichtsfeld des Okulars. Er ermöglicht eine viel angenehmere Beobachtung und eliminiert die ständige Verwendung der manuellen Zeitlupen-Kontrollkabel.

# TECHNISCHE DATEN FÜR POWERSEEKER

Modellnummer	21043	21037	21048	21045	21049
Beschreibung	PS 60EQ	PS 70EQ	PS 80EQ	PS 114EQ	PS 127EQ
Optisches Design	Refraktor	Refraktor	Refraktor	Newton	Newton
Apertur	60 mm (2,4 Zoll)	70 mm (2,8 Zoll)	80 mm (3,1 Zoll)	114 mm (4,5 Zoll)	127 mm (5 Zoll)
Brennweite	900 mm	700 mm	900 mm	900 mm	1.000 mm
Öffnungsverhältnis	f/15	f/10	f/11	f/8	f/8
Optische Vergütung	Voll vergütet	Voll vergütet	Voll vergütet	Voll vergütet	Voll vergütet
Sucherfernrohr	5x24	5x24	5x24	5x24	5x24
Zenitspiegel 1,25 Zoll	Aufrechtes Bild	Aufrechtes Bild	Aufrechtes Bild	n.z.	n.z.
Okulare 1,25 Zoll	20 mm (45x)	20mm (35x)	20 mm (45x)	20 mm aufrecht Bild (45x)	20 mm aufrecht Bild (50x)
	4mm (225x)	4mm (175x)	4mm (225x)	4mm (225x)	4mm (250x)
Barlow-Linse 1.25 Zoll 3x	Ja	Ja	Ja	Ja	Ja
Gesichtsfeldwinkel mit 20 mm Standardokular	1,1°	1,4°	1,1°	1,1°	1,0°
Lineares Gesichtsfeld mit 20 mm Standardokular – Fuß/1000 Yard	58	74	58	58	53
Montierung	Äquatorial (Parallaktisch)	Äquatorial (Parallaktisch)	Äquatorial (Parallaktisch)	Äquatorial (Parallaktisch)	Äquatorial (Parallaktisch)
RA- und DEK.-Einstellringe	Ja	Ja	Ja	Ja	Ja
RA- und DEK.-Zeitlupen-Kontrollkabel	Ja	Ja	Ja	Ja	Ja
CD-ROM „The Sky“ Level 1	Ja	Ja	Ja	Ja	Ja
Maximale nützliche Vergrößerung	142x	165x	189x	269x	300x
Maximale Sterngröße	11,4	11,7	12,0	12,8	13,0
Auflösung – Raleigh (Bogensekunden)	2,31	1,98	1,73	1,21	1,09
Auflösung – Dawes-Grenze „ “	1,93	1,66	1,45	1,02	0,91
Lichtsammelleistung	73x	100x	131x	265x	329x
Gegengewicht(e) – ungefähres Gewicht (gerundet)	0,9 kg (2 lbs)	1,8 kg (4 lbs)	1,8 kg (4 lbs)	2,7 kg (6 lbs)	3,4 kg (7,5 lbs)
Länge des optischen Tubus	38 Zoll (97 cm)	30 Zoll (76 cm)	37 Zoll (94 cm)	35 Zoll (89 cm)	18 Zoll (46 cm)
Gewicht des Teleskops	6,4 kg (14 lbs)	6,4 kg (14 lbs)	8,2 kg (18 lbs)	8,6 kg (19 lbs)	22 lbs (10,0 kg)

**Hinweis: Die technischen Daten können ohne Mitteilung oder Verpflichtung geändert werden.**



## **Telescopios de la serie PowerSeeker®**

### **MANUAL DE INSTRUCCIONES**

- PowerSeeker 60EQ N° 21043
- PowerSeeker 70EQ N° 21037
- PowerSeeker 80EQ N° 21048
- PowerSeeker 114EQ N° 21045
- PowerSeeker 127EQ N° 21049

# Índice

INTRODUCCIÓN .....	3
ENSAMBLAJE .....	6
Cómo ensamblar el trípode .....	6
Cómo se coloca el montaje ecuatorial .....	7
Instalación de la barra de contrapeso y los contrapesos .....	7
Instalación de los cables de movimiento lento .....	8
Cómo colocar el tubo del telescopio en el montaje .....	8
Instalación de la lente a 90° y el ocular (refractor) .....	9
Instalación del ocular en el telescopio newtoniano .....	9
Instalación del telescopio buscador .....	10
Alineación del telescopio buscador .....	10
Instalación y uso de la lente Barlow .....	10
Cómo mover el telescopio manualmente .....	11
Equilibrio del montaje en ascendencia recta (A.R.) .....	11
Equilibrio del montaje en declinación (Dec.) .....	11
Ajuste del montaje ecuatorial .....	12
Ajuste del montaje en altitud .....	12
INFORMACIÓN BÁSICA SOBRE EL TELESCOPIO .....	13
Orientación de imágenes .....	14
Enfoque .....	14
Cálculo del aumento .....	14
Cómo se determina el campo visual .....	15
Consejos generales para las observaciones .....	15
INFORMACIÓN BÁSICA SOBRE ASTRONOMÍA .....	16
El sistema de coordenadas de los cuerpos celestes .....	16
Movimiento de las estrellas .....	16
Alineación polar con la escala de latitud .....	17
Cómo se apunta a Polaris .....	18
Cómo se localiza el polo norte celeste .....	18
Alineación polar en el hemisferio sur .....	19
Cómo se usan los calibradores de fijación .....	21
Motor impulsor .....	22
OBSERVACIÓN DE CUERPOS CELESTES .....	23
Observación de la luna .....	23
Observación de los planetas .....	23
Observación del sol .....	23
Observación de cuerpos celestes en el cielo profundo .....	24
Condiciones para la observación .....	24
ASTROPHOTOGRAPHY .....	25
Fotografía de corta exposición con resultados de primera calidad .....	25
Fotografía piggyback .....	25
Fotografía con imágenes especiales de la luna y de los planetas .....	25
Imágenes CCD de objetos en el firmamento profundo .....	25
Fotografía terrestre .....	25
TELESCOPE MAINTENANCE .....	26
Cuidado y limpieza de las lentes ópticas .....	26
Colimación de un telescopio newtoniano .....	26
ACCESORIOS OPCIONALES .....	29
ESPECIFICACIONES DEL POWERSEEKER .....	30

# **CELESTRON** **Introducción**

Le felicitamos por la compra de su telescopio PowerSeeker. La serie de telescopios PowerSeeker tiene varios modelos y este manual cubre cinco de ellos con montaje ecuatorial de diseño alemán: refractor de 60 mm, 70 mm y 80 mm; newtoniano de 114 mm y 127 mm. En la serie PowerSeeker se utiliza la mejor calidad de materiales para asegurar estabilidad y durabilidad. Todo esto contribuye a que su telescopio le ofrezca toda una vida de satisfacción con un mínimo de mantenimiento.

Estos telescopios han sido diseñados para ofrecer a los usuarios principiantes un valor excepcional. Los telescopios de la serie PowerSeeker tienen las características de ser compactos y portátiles, con amplia capacidad óptica para atraer a cualquiera al mundo de la astronomía para aficionados.

Los telescopios PowerSeeker tienen una **garantía limitada de dos años**. Para obtener más detalles al respecto, visite nuestro sitio Web [www.celestron.com](http://www.celestron.com)

Algunas de las características estándar de los PowerSeeker son:

- Elementos ópticos de vidrio recubierto para obtener imágenes claras y nítidas.
- Fácil funcionamiento, soporte rígido ecuatorial con indicador simple para objetos localizados.
- El trípode de aluminio pre-ensamblado ofrece una plataforma estable.
- Ensamblaje fácil y rápido sin herramientas.
- CD-ROM del “The Sky”, Nivel 1: software de astronomía que proporciona información sobre el firmamento y mapas del mismo que se pueden imprimir.
- Todos los modelos se pueden utilizar para hacer observaciones terrestres y astronómicas con los accesorios estándar incluidos.

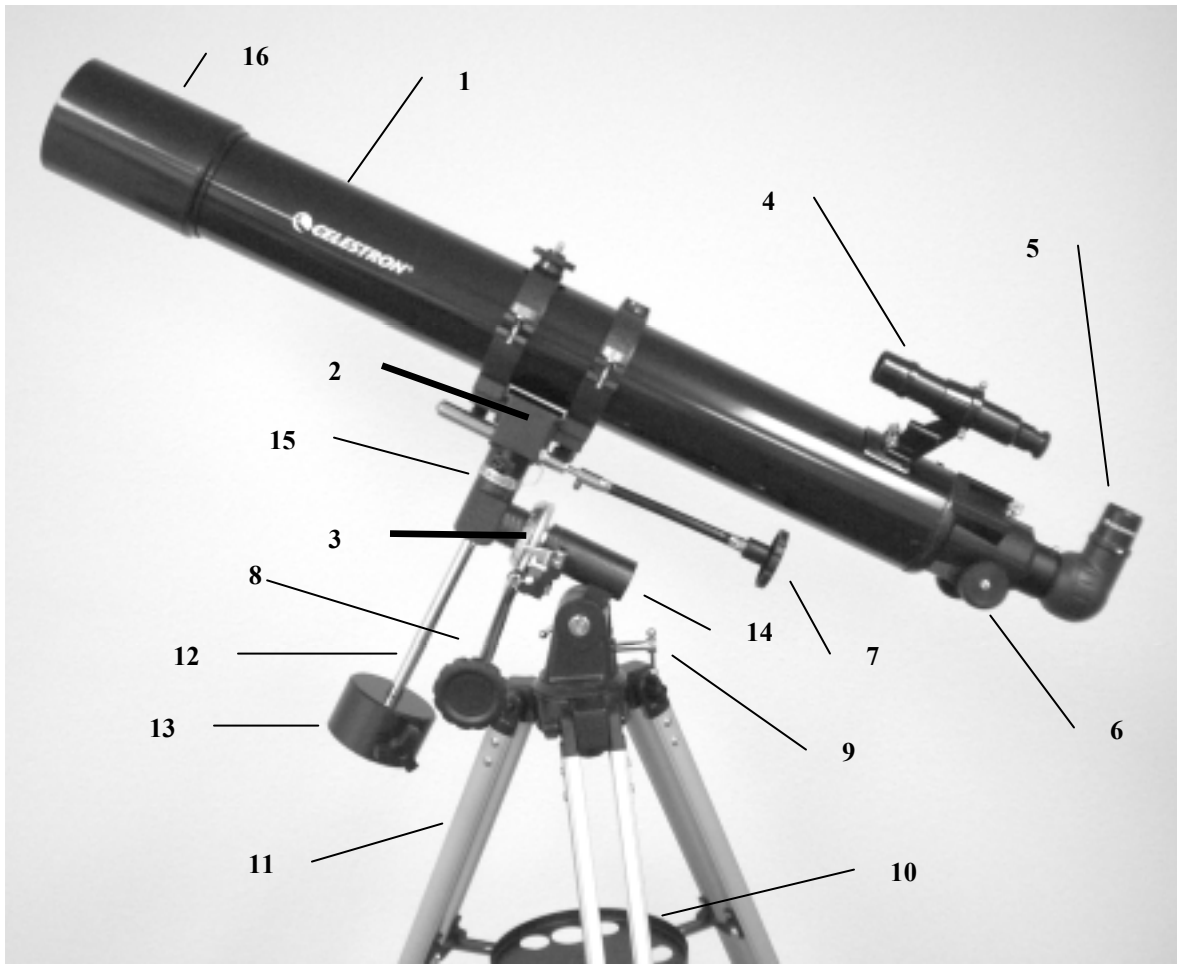
Tómese su tiempo y lea este manual antes de embarcarse en un viaje por el universo. Es posible que le tome algunas sesiones de observación antes de familiarizarse con su telescopio, por lo que le aconsejamos utilizar este manual hasta que haya aprendido bien el funcionamiento del mismo. El manual le ofrece información detallada respecto a cada paso que debe tomar y sobre el material necesario de referencia; también le ofrece consejos que le pueden ayudar a tener una experiencia mejor y más agradable en sus observaciones.

Su telescopio está diseñado para brindarle años de entretenimiento y observaciones gratificantes. Sin embargo, sería conveniente informarse primero sobre el uso del mismo para proteger su equipo y a sí mismo.

## **Advertencia**



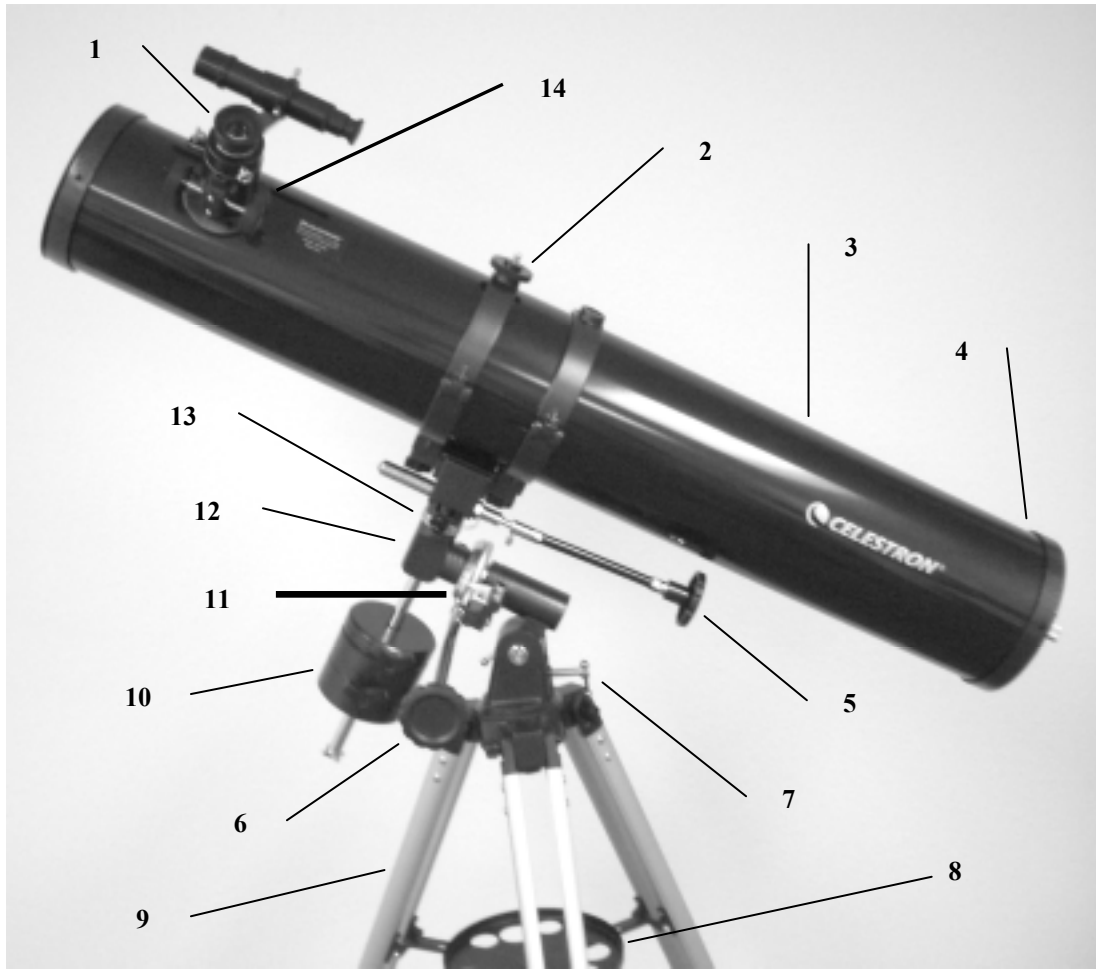
- **Nunca mire directamente al sol sin protegerse sus ojos o con un telescopio (a no ser que tenga un filtro solar apropiado). Los ojos pueden sufrir daños permanentes e irreversibles.**
- **Nunca utilice su telescopio para proyectar una imagen del sol en una superficie. La acumulación interna de calor puede dañar el telescopio y los accesorios incorporados.**
- **Nunca utilice un filtro solar ocular o un prisma Herschel. La acumulación interna de calor dentro del telescopio puede producir que estos dispositivos se agrieten o rompan, dejando pasar la luz solar sin filtrar directamente al ojo.**
- **No deje el telescopio sin supervisar donde haya niños o adultos presentes que no tengan experiencia con los procedimientos adecuados de funcionamiento de su telescopio.**



**Figura 1-1 PowerSeeker 80EQ Refractor  
PowerSeeker 60EQ y PowerSeeker 70EQ Similares**

<b>1.</b>	<b>Tubo óptico del telescopio</b>	<b>9.</b>	<b>Tornillo de ajuste de la latitud</b>
<b>2.</b>	<b>Soporte de ensambladura con aros del tubo</b>	<b>10.</b>	<b>Bandeja de accesorios del trípode</b>
<b>3.</b>	<b>Calibrador de fijación A.R.</b>	<b>11.</b>	<b>Trípode</b>
<b>4.</b>	<b>Telescopio buscador</b>	<b>12.</b>	<b>Barra de contrapeso</b>
<b>5.</b>	<b>Ocular y lente a 90°</b>	<b>13.</b>	<b>Contrapeso</b>
<b>6.</b>	<b>Botón de enfoque</b>	<b>14.</b>	<b>Montaje ecuatorial</b>
<b>7.</b>	<b>Cable de movimiento lento de Dec.</b>	<b>15.</b>	<b>Calibrador de fijación Dec.</b>
<b>8.</b>	<b>Cable de movimiento lento A.R.</b>	<b>16.</b>	<b>Objetivo</b>





**Figura 1-2 PowerSeeker 114EQ Newtoniano  
PowerSeeker 127EQ Newtoniano Similar**

1.	Ocular	8.	Bandeja de accesorios del trípode
2.	Aro del tubo	9.	Trípode
3.	Tubo óptico del telescopio	10.	Contrapeso
4.	Espejo principal	11.	Calibrador de fijación A.R.
5.	Cable de movimiento lento de Dec.	12.	Montaje ecuatorial
6.	Cable de movimiento lento A.R.	13.	Calibrador de fijación de Dec.
7.	Tornillo de ajuste de la latitud	14.	Botón de enfoque

Esta sección presenta las instrucciones para ensamblar su telescopio PowerSeeker. Cuando ensamble su telescopio por primera vez deberá hacerlo en un lugar donde sea fácil identificar las diferentes partes que contiene el mismo y donde pueda familiarizarse con el procedimiento adecuado de ensamblaje antes de salir al aire libre.

Cada telescopio PowerSeeker viene en una caja. Las piezas que contiene la caja son: tubo óptico, aros del tubo (excepto 60 EQ), montaje ecuatorial de diseño alemán, barra de contrapeso, contrapeso, cables de movimiento lento A.R y Dec., ocular de 4 mm 3,18 cm (1.25 pulg.) - ocular de 20 mm, 3,18 cm (1.25 pulg.) (imagen directa en 114EQ y 127EQ) – lente a 90° de imagen directa, 3,18 cm (1,25 pulg.) (en el 60EQ, 70EQ y 80EQ), lente Barlow 3x, 3,18 cm (1,25 pulg.), “The Sky” Nivel 1 CD-ROM.

## Cómo ensamblar el trípode

1. Saque el trípode de la caja (Figura 2-1). El trípode viene ya ensamblado para que su montaje sea más fácil.
2. Ponga el trípode hacia arriba y tire de las patas hasta que estén totalmente extendidas; a continuación presione un poco hacia abajo en el refuerzo de las mismas (Figura 2-2). La parte superior del trípode se llama cabezal.
3. A continuación instale la bandeja de accesorios de trípode (Figura 2-3) en el refuerzo de las patas del mismo (centro de la Figura 2-2).
4. En la parte inferior de la bandeja del trípode podrá encontrar un tornillo sujeto al centro. Gire hacia la izquierda el tornillo que se coloca en un orificio roscado del centro del refuerzo de las patas del trípode. Nota: para hacerlo con mayor facilidad, eleve ligeramente el refuerzo de las patas del trípode. Continúe girando la bandeja con las manos hasta que esté bien apretada; no la apriete demasiado.



Figura 2-1



Figura 2-2



Figura 2-3

5. A este punto el trípode está completamente ensamblado (Figura 2-4).
6. Ya puede extender las patas del trípode hasta la altura deseada. En el nivel más bajo, la altura es de 66 cm (26 pulg.) y se extiende hasta 119 cm (47 pulg.). El botón de la altura en la parte inferior de cada pata (Figura 2-5) se desbloquea al girarlo hacia la izquierda y después se puede tirar de las patas hacia afuera hasta conseguir la altura deseada; a continuación bloquee el botón de nuevo. Un trípode totalmente extendido se verá como el que se muestra en la Figura 2-6.
7. El trípode tendrá la estabilidad máxima a la menor altura permitida del mismo.



Figura 2-4

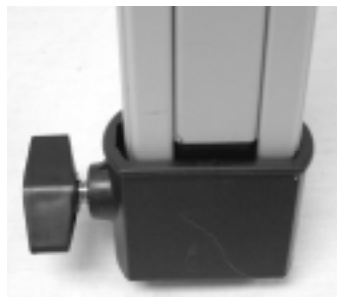


Figura 2-5

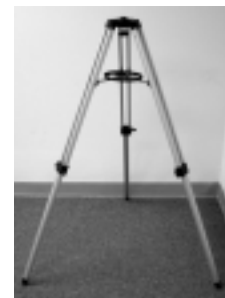


Figura 2-6

## **Cómo se coloca el montaje ecuatorial**

El montaje ecuatorial le permite inclinar el eje de rotación del telescopio para poder buscar las estrellas al cruzar el firmamento. El montaje PowerSeeker es un montaje ecuatorial de diseño alemán que se coloca en el cabezal del trípode. Para colocar el montaje:

1. Saque el montaje ecuatorial de la caja (Figura 2-8). El montaje tiene el perno de bloqueo de la latitud colocado en éste (Figura 2-27). El tornillo de ajuste de la latitud se ajusta al orificio roscado del montaje como se muestra en la Figura 2-10.
2. El montaje se colocará en el cabezal del trípode, específicamente en el mecanismo con perno ubicado debajo de dicho cabezal (Figura 2-7). Empuje el montaje (la gran parte plana con un pequeño tubo sobresaliendo) en el orificio central del cabezal del trípode hasta nivelarlo y mantenerlo fijo. A continuación, pase la otra mano por debajo del cabezal del trípode y gire el botón hacia la izquierda para enroscarlo en la parte inferior del montaje. Continúe girando hasta que esté bien apretado. El ensamblado completo del montaje en el trípode se puede ver en la Figura 2-9.



**Figura 2-7**



**Figura 2-8**



**Figura 2-9**



**Figura 2-10**

## **Instalación de la barra de contrapeso y los contrapesos**

Para equilibrar correctamente el telescopio, el montaje viene con una barra de contrapeso y uno o dos contrapesos (según el modelo). Para instalarlos:

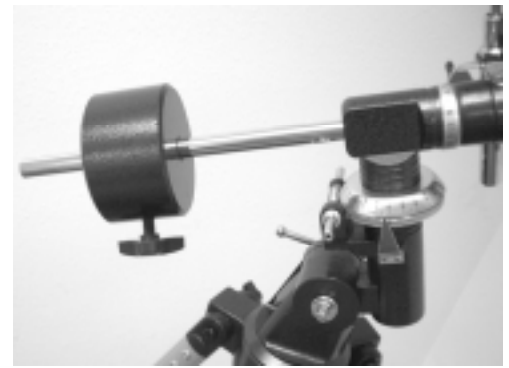
1. Quite el tornillo de seguridad de la barra de contrapeso (en el extremo opuesto de la barra roscada) girándolo hacia la izquierda (vea la Figura 2-11).
2. Instale los tornillos grandes de la barra de contrapeso en el orificio roscado del eje “DEC.” del montaje y gire hacia la derecha (vea la Figura 2-12) hasta que estén bien apretados. Ahora ya está listo para colocar el contrapeso o los contrapesos.
3. Oriente el montaje de forma que la barra de contrapeso apunte hacia el suelo.
4. Afloje el botón de bloqueo en el lateral del contrapeso de forma que los tornillos no sobresalgan por el orificio central del contrapeso.
5. Deslice el contrapeso hasta la mitad de la barra y apriete bien el botón de bloqueo. La orientación correcta del peso se muestra en la Figura 2-13.
6. Deslice el segundo contrapeso (si su modelo lo tiene) en la barra de contrapeso hacia arriba y junto al primero, y asegúrelo bien.
7. Vuelva a poner el tornillo de seguridad y enrósquelo bien. El ensamblado completo se muestra en la Figura 2-13.



**Figura 2-11**



**Figura 2-12**



**Figura 2-13**

## Instalación de los cables de movimiento lento

El montaje de PowerSeeker viene con dos cables de control para el movimiento lento que le permite apuntar de forma precisa el telescopio en A.R. y en Declinación. Para instalar los cables:

1. Localice los dos cables con botones. El largo es para el eje de A.R. y asegúrese de que el tornillo en cada extremo del cable no sobresalga por la abertura.
2. Deslice el cable en el eje de A.R. (vea la Figura 2-14) de forma que el tornillo encaje en la muesca del eje. Hay dos ejes A.R., uno a cada lado del montaje. No importa el eje que utilice, ya que ambos funcionan del mismo modo (excepto si utiliza un motor impulsor). Utilice el que le sea más conveniente.
3. Apriete el tornillo del cable A.R. para fijarlo en su lugar.
4. El cable de movimiento lento DEC se coloca de la misma forma que el de A.R. El eje donde encaja el botón de movimiento lento DEC está en la parte superior del montaje, justamente debajo de la plataforma de montaje del telescopio.



**Figura 2-14**

Eje A.R. en la parte inferior debajo del calibrador de fijación de A.R. Eje Dec. en la parte superior encima del calibrador de fijación de Dec.



**Figura 2-15**

Cables de A.R. y de Dec. conectados

## Cómo colocar el tubo del telescopio en el montaje

El tubo óptico del telescopio se instala en el montaje ecuatorial con los aros del tubo (excepto en el 60EQ) sujetándolo al soporte de la ensambladura por la parte superior del montaje (Figura 2-16). En el refractor 60EQ, el tubo se coloca directamente en el soporte de la ensambladura con los tornillos puestos en el tubo óptico. **Antes de colocar el tubo óptico, asegúrese de que el botón de bloqueo de la inclinación y el de la ascensión correcta está apretado (Figura 2-24). A continuación, asegúrese de que el tornillo y el perno de bloqueo de la latitud (Figura 2-27) están apretados.** Esto impedirá que el montaje se mueva repentinamente al colocar el tubo óptico del telescopio. También retire la tapa del objetivo (refractor) o la tapa de la abertura en la parte anterior (newtoniano). Para colocar el tubo del telescopio:

1. Retire el papel de protección que cubre el tubo óptico. Tendrá que quitar los aros del tubo (Figura 2-16) antes de retirar el papel.
2. Quite los botones de los pilares roscados en la parte inferior de los aros del tubo (Figura 2-16).
3. Coloque ahora los pilares a través de los orificios en la parte superior de la plataforma del montaje (Figura 2-17) y vuelva a colocar los botones como se muestra en la Figura 2-18.
4. Abra los aros del tubo (afloje los botones grandes cromados) de forma que el tubo óptico pueda colocarse encima.
5. Sujete el tubo óptico firmemente con una mano y céntrelo en los aros del tubo; cierre los aros y el seguro, y apriete los botones estriados de los aros como se muestra en la Figura 2-19.
6. Si lo prefiere, puede primero colocar los aros en el tubo óptico y después colocar la plataforma de montaje en el montaje ecuatorial.

**NOTA:** Nunca afloje ningún botón del tubo del telescopio o coloque otros diferentes al A.R. y DEC.

**Consejo:** Para obtener la máxima estabilidad del telescopio y el montaje, asegúrese de que los botones o tornillos que sujetan las patas del trípode al cabezal del mismo están bien apretados.



Figura 2-16

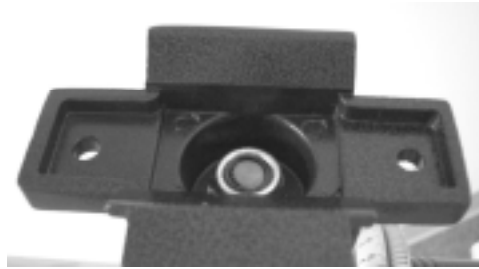


Figura 2-17



Figura 2-18



Figura 2-19

### **Instalación de la lente a 90° y el ocular (refractor)**

La lente a 90° es un prisma que desvía la luz en ángulo recto hacia la trayectoria de la luz del refractor. Esto le permite observar en una posición que es más cómoda que si mira directamente. Esta lente a 90° es un modelo de imagen directa que corrige la imagen a su posición adecuada y la orienta correctamente de izquierda a derecha, lo cual permite que su uso sea más fácil para las observaciones terrestres. También, la lente a 90° puede rotarse a una posición más favorable para usted. Para instalar la lente a 90° y los oculares:

1. Introduzca el pequeño tambor de la lente a 90° en el adaptador ocular de 3,18 cm (1,25 pulg.) del tubo de enfoque del refractor (Figura 2-20). Asegúrese de que los dos tornillos del adaptador ocular no sobresalgan y adentren en el tubo de enfoque antes de la instalación y que la tapa se retira de dicho adaptador.
2. Ponga el extremo del tambor cromado de uno de los oculares dentro de la lente a 90° y apriete el tornillo. Insistimos que al hacer esto, debe asegurarse de que el tornillo no sobresalga introduciéndose en la lente a 90° antes de insertar el ocular.
3. Los oculares pueden cambiarse a otras distancias focales al invertirse el procedimiento que se describe en el párrafo 2 anterior.



Figura 2-20

### **Instalación del ocular en el telescopio newtoniano**

El ocular es un elemento óptico que aumenta la imagen que se enfoca con el telescopio. Sin el ocular sería imposible utilizar el telescopio visualmente. A los oculares se les conoce comúnmente como distancia focal y diámetro del tambor. Cuanto mayor sea la distancia focal (por ej.: cuanto mayor sea el número) menor será el aumento del ocular (por ej.: potencia). En general, se utilizará una potencia de baja a moderada al visualizar objetos. Para obtener más información sobre cómo determinar la potencia, vea la sección “Cálculo del aumento”. El ocular encaja directamente en el tubo de enfoque del telescopio newtoniano. Para colocar los oculares:

1. Asegúrese de que los tornillos no sobresalgan introduciéndose en el tubo de enfoque. A continuación, inserte el tambor cromado de los oculares en el tubo de enfoque (retire primero la tapa del mecanismo de enfoque) y apriete los tornillos; vea la Figura 2-21.
2. El ocular de 20 mm es un ocular inversor de imagen, ya que corrige la imagen vertical y horizontalmente. Esto hace que se pueda utilizar el telescopio para visualizar objetos terrestres.
3. Los oculares pueden cambiarse invirtiendo el procedimiento que se describe anteriormente.



Figura 2-21

## Instalación del telescopio buscador

Para instalar el telescopio buscador:

1. Localizar el telescopio buscador (estará dentro del soporte del telescopio buscador); vea las Figuras 1-1 y 1-2.
2. Quite las tuercas estriadas de los pilares roscados en el tubo óptico; vea la Figura 2-22.
3. Coloque el soporte del telescopio buscador sobre los pilares que sobresalen del tubo óptico y sujetándolo en su lugar, enrosque y apriete las tuercas estriadas; tenga en cuenta que el telescopio buscador debe estar orientado de forma que la lente de mayor diámetro esté frente a la parte delantera del tubo óptico.
4. Saque la tapa de la lente de ambos extremos del telescopio.



Figura 2-22

## Alineación del telescopio buscador

Siga las siguientes instrucciones para alinear el telescopio buscador:

1. Ubique un objeto distante durante el día y céntrelo en un ocular de baja potencia (20 mm) en el telescopio principal.
2. Mire por el telescopio buscador (el extremo del ocular del buscador) y fíjese en la posición del mismo objeto.
3. Sin mover el telescopio principal, gire los tornillos de mariposa de ajuste que se encuentran alrededor del soporte del telescopio buscador hasta que el buscador quede centrado en el objeto elegido con el telescopio principal.

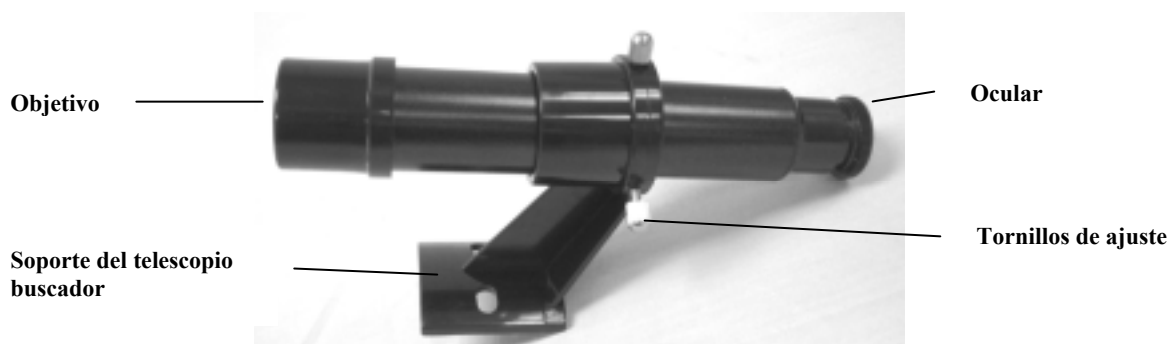


Figura 2-22a Telescopio buscador con soporte

## Instalación y uso de la lente Barlow

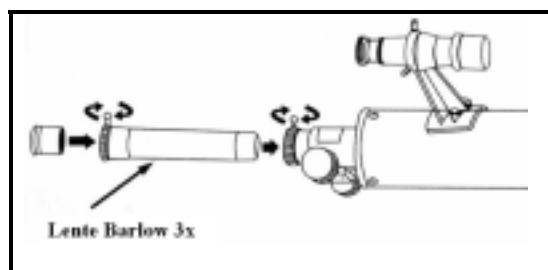


Figura 2-23

Su telescopio también viene con una lente Barlow 3x que triplica la potencia de aumento de cada ocular. No obstante, las imágenes de mayor aumento deberán utilizarse sólo bajo las condiciones ideales (vea la sección “Cálculo del aumento” en este manual).

Para utilizar la lente Barlow con refractores, saque la lente a 90° e inserte la Barlow directamente dentro del tubo de enfoque. A continuación, introduzca un ocular en la lente Barlow para realizar la visualización. También puede introducir la lente a 90° en la Barlow y después utilizar un ocular en la lente a 90° pero quizás no pueda entonces enfocar con todos los oculares.

En los telescopios newtonianos, introduzca la lente Barlow directamente en el mecanismo de enfoque. A continuación, inserte un ocular en la lente Barlow.

**Nota:** Comience utilizando un ocular de baja potencia, ya que será más fácil enfocar de este modo.

Aumento de la lente Barlow 3x					
	60EQ	70EQ	80EQ	114EQ	127EQ
Con ocular de 20 mm	135x	105x	135x	135x	150x
Con ocular de 4 mm	675x	525x	675x	675x	450x

## Cómo mover el telescopio manualmente



**Figura 2-24**

Botón de bloqueo de Dec encima del calibrador Dec. y botón de bloqueo de A.R. encima del calibrador A.R.

Para utilizar correctamente su telescopio tendrá que moverlo manualmente hacia distintos lugares del firmamento para observar diferentes cuerpos celestes. Para hacer ajustes, afloje ligeramente los botones de bloqueo de A.R. y Dec. y mueva el telescopio en la dirección deseada. Para hacer ajustes más precisos, gire los cables de control del movimiento lento cuando los botones están bloqueados.

Ambos ejes, A.R. y Dec., tienen controles de bloqueo para sujetar cada eje del telescopio. Para aflojar la sujeción del telescopio, afloje los controles de bloqueo.

### **Equilibrio del montaje en ascendencia recta (A.R.)**

Para eliminar el estrés excesivo del montaje, el telescopio deberá estar debidamente equilibrado alrededor del eje polar. Además, un equilibrio apropiado es crucial para realizar una búsqueda exacta con un motor impulsor opcional. Para equilibrar el montaje:

1. Suelte el botón de bloqueo de A.R. (vea la Figura 2-24) y coloque el telescopio a un lado del montaje (asegúrese de que el botón del soporte de la ensambladura a cola de milano está apretado). La barra de contrapeso se extenderá horizontalmente en el lado opuesto del montaje (vea la Figura 2-25).
2. Suelte el telescopio **GRADUALMENTE** y vea hacia qué parte cae.
3. Afloje el botón de bloqueo de los contrapesos (de uno en uno si tiene dos contrapesos) mientras que los sujeta y a continuación suéltelos lentamente.
4. Mueva el contrapeso hacia el punto donde quede el telescopio equilibrado (por ejemplo, permanece inmóvil al soltar el botón de bloqueo de A.R.).
5. Apriete los botones de bloqueo que sujetan en su lugar los contrapesos.

### **Equilibrio del montaje en declinación (Dec.)**

Para prevenir movimientos súbitos al aflojarse el botón de bloqueo de DEC (Figura 2-24), el telescopio deberá equilibrarse sobre el eje de declinación. Para equilibrar el telescopio en Dec.:

1. Suelte el botón de bloqueo de A.R. y gire el telescopio de forma que quede a un lado del montaje (por ejemplo, como se describió en la sección anterior sobre cómo equilibrar el telescopio en A.R.).
2. Asegure el botón de bloqueo de A.R. para sujetar en su lugar el telescopio.
3. Suelte el botón de bloqueo de Dec. y gire el telescopio hasta que el tubo esté en paralelo con el suelo (Figura 2-26).
4. Suelte el tubo **GRADUALMENTE** para ver en qué dirección gira alrededor del eje de declinación. **¡NO SUELTE TOTALMENTE EL TUBO DEL TELESCOPIO!**
5. En el 70EQ, 80EQ, 114EQ y 127EQ, mientras que sujeta el tubo óptico con una mano, afloje los tornillos que sujetan al tubo del telescopio dentro de los aros del tubo y deslice hacia adelante o hacia atrás el telescopio hasta que éste quede inmóvil cuando el botón de bloqueo de Dec. se suelta. En el 60EQ no se hacen ajustes, ya que éste está fijo sobre el soporte de la ensambladura del montaje.
6. Ajuste los tornillos del aro del tubo firmemente para mantener al telescopio en su lugar.

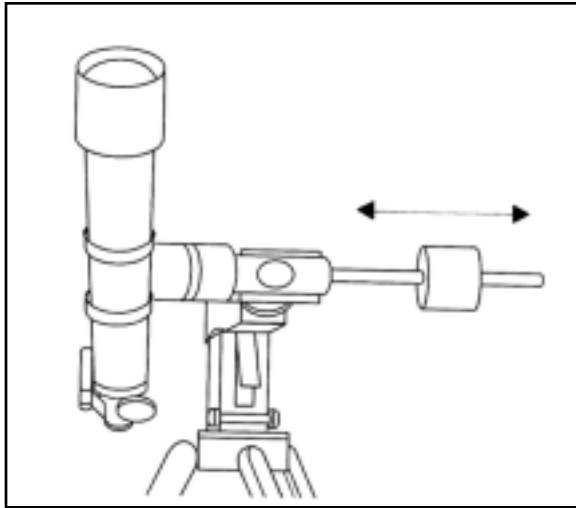


Figura 2-25

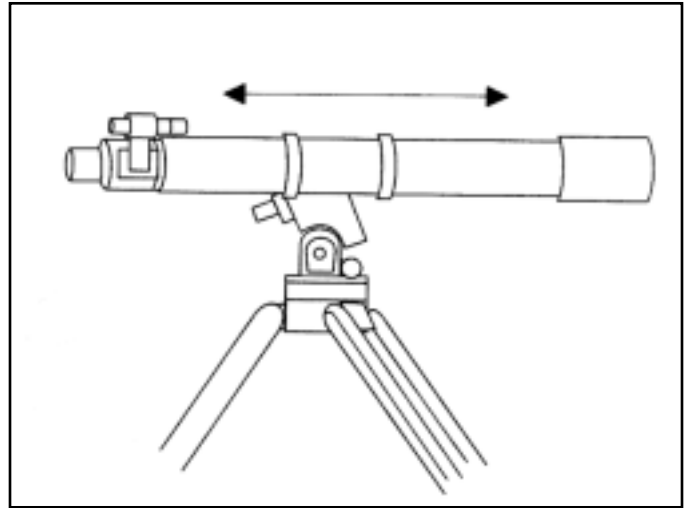


Figura 2-26

### ***Ajuste del montaje ecuatorial***

Para que un motor impulsor realice una búsqueda exacta, el eje de rotación del telescopio debe estar paralelo al eje de rotación de la Tierra; este proceso se llama alineación polar. La alineación polar NO se consigue moviendo el telescopio en A.R. o Dec. sino ajustando el montaje verticalmente, lo que se llama altitud. Esta sección cubre simplemente el movimiento correcto del telescopio durante el proceso de alineación polar. El verdadero proceso de alineación polar, es decir, hacer que el eje de rotación del telescopio esté paralelo al eje de la Tierra, se describe más adelante en este manual en la sección “Alineación polar”.

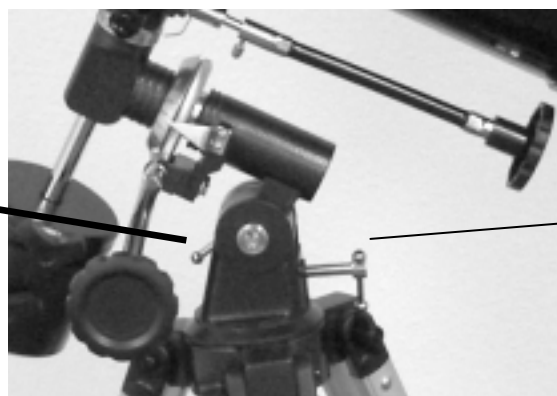
### ***Ajuste del montaje en altitud***

- Para aumentar la latitud del eje polar, afloje ligeramente el perno de bloqueo de la latitud (vea la Figura 2-27).
- Para aumentar o disminuir la latitud del eje polar, apriete o afloje el tornillo de ajuste de la latitud. A continuación, apriete bien el perno de bloqueo de la latitud. Preste atención cuando gire los tornillos para evitar golpearse los dedos o dañarlos con otros tornillos, etc.

El ajuste de la latitud en el montaje del PowerSeeker varía de 20° a 60° aproximadamente.

Es mejor hacer siempre los últimos ajustes en la altitud moviendo el montaje contra la gravedad (por ejemplo, utilizando el tornillo de ajuste de la latitud situado en la parte posterior para elevar el montaje). Para llevar a cabo esto, deberá aflojar el tornillo de ajuste de la latitud y después empujar manualmente la parte frontal del montaje totalmente hacia abajo. A continuación, apriete el tornillo de ajuste para elevar el montaje a la latitud deseada.

**Perno de bloqueo de la latitud**



**Tornillo de ajuste de la latitud**

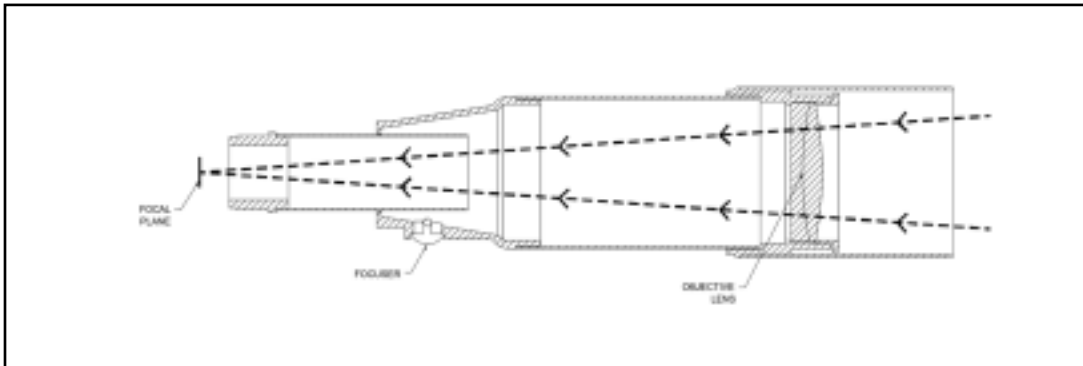
Figura 2-27



# Información básica sobre el telescopio

Un telescopio es un instrumento que recoge y enfoca la luz. La naturaleza del diseño óptico determina cómo se enfoca la luz. Algunos telescopios, conocidos como refractores, utilizan lentes y otros, conocidos como reflectores (newtonianos), utilizan espejos.

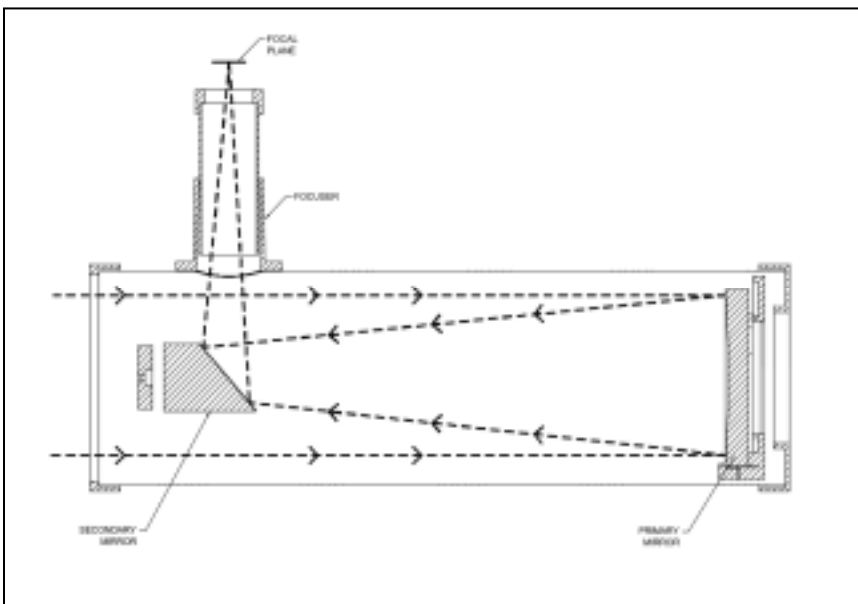
El telescopio **refractor** fue diseñado a principios del siglo XVII y es el telescopio más antiguo. Su nombre viene del método que utiliza para enfocar los rayos entrantes de la luz. El refractor utiliza una lente para refractar los rayos entrantes de los rayos de luz y de ahí toma su nombre (vea la Figura 3-1). Los primeros que se diseñaron utilizaban lentes de un único elemento. Sin embargo, la lente única actúa como un prisma que convierte la luz en los colores del arco iris, un fenómeno conocido como aberración cromática. Para solucionar este problema, se ha introducido la lente de dos elementos, conocida como lente acromática. Cada elemento tiene un índice diferente de refracción que permite un enfoque en el mismo punto de dos longitudes diferentes de onda de la luz. La mayoría de las lentes de dos elementos, por lo general hechas de vidrio con y sin plomo, se corrigen para la luz roja y verde. Es posible que la luz azul se enfoque en un punto ligeramente diferente.



**Figura 3-1**

*Ilustración de la trayectoria de la luz del diseño óptico del refractor*

El telescopio refractor **Newtoniano** utiliza un solo espejo cóncavo como el principal. La luz entra en el tubo dirigiéndose hacia el espejo en el extremo posterior. Ahí se difracta la luz hacia delante en el tubo a un único punto, su punto focal. Como al poner la cabeza en la parte anterior del telescopio para mirar a la imagen con un ocular impedirá que funcione el reflector, un espejo plano llamado diagonal intercepta la luz y la dirige hacia el lateral del tubo en ángulo recto al mismo. El ocular se coloca ahí para obtener una visualización fácilmente.



**Figura 3-2**

*Ilustración de la trayectoria de la luz del diseño óptico del newtoniano*

Los telescopios reflectores newtonianos reemplazan las lentes pesadas con los espejos para recoger y enfocar la luz, proporcionando mucha más potencia en la absorción de luz. Debido a la intercepción y al reflejo de la trayectoria de la luz hacia el lateral, puede tener distancias focales de hasta 1000 mm y todavía disfrutar de un telescopio portátil y relativamente compacto. El telescopio reflector newtoniano ofrece características tan impresionantes como la recogida de luz, por lo que uno puede interesarse seriamente por la astronomía del espacio profundo, incluso teniendo un presupuesto modesto. Los telescopios reflectores newtonianos requieren más atención y mantenimiento debido a que el espejo principal está expuesto al aire y al polvo. No obstante, este pequeño inconveniente no impide la popularidad de este tipo de telescopio para aquellos que desean tener un telescopio económico para encontrar cuerpos celestes distantes y apenas perceptibles.

## Orientación de imágenes

La orientación de imágenes cambia de acuerdo a la forma en que el ocular se inserte dentro del telescopio. Cuando se utiliza una lente a 90° con refractores, la imagen no estará invertida de arriba abajo pero estará invertida de izquierda a derecha (por ej.: imagen de espejo). Al insertar el ocular directamente en el mecanismo de enfoque de un refractor (por ej.: sin la lente a 90°), la imagen estará invertida de arriba abajo y de izquierda a derecha. No obstante, cuando se utiliza un refractor PowerSeeker y la lente a 90° estándar de imagen directa, la imagen está orientada de forma correcta en todos sus aspectos.

Los telescopios reflectores newtonianos producen una imagen correcta de arriba abajo, pero la imagen aparece rotada en función de la ubicación del componente ocular en relación con el suelo. Sin embargo, al utilizar el ocular de imagen directa que viene con los newtonianos PowerSeeker, la imagen está correctamente orientada.



Figura 3-3

## Enfoque

Para enfocar el telescopio refractor o newtoniano, gire simplemente el botón de enfoque situado directamente debajo del componente ocular (vea las figuras 2-20 y 2-21). Cuando se gira el botón hacia la derecha, se puede enfocar un objeto que está más lejos que el que está observando actualmente. Cuando se gira el botón hacia la izquierda, se puede enfocar un objeto que está más cerca que el que está observando actualmente.

**Nota:** Si usted usa lentes con corrección (específicamente gafas), le recomendamos quitárselas cuando utilice el ocular acoplado al telescopio. Sin embargo, le recomendamos que use siempre sus lentes de corrección cuando utilice una cámara para poder conseguir el enfoque más perfecto que sea posible. Si tiene astigmatismo, le recomendamos que use sus lentes graduadas en todo momento.

## Cálculo del aumento

Puede cambiar la potencia de su telescopio simplemente cambiando el ocular. Para determinar el aumento de su telescopio, divida la distancia focal del telescopio por la del ocular utilizado. La fórmula de esta ecuación es:

$$\text{Aumento} = \frac{\text{Distancia focal del telescopio (mm)}}{\text{Distancia focal del ocular (mm)}}$$

Por ejemplo, digamos que está utilizando el ocular de 20 mm que se incluye con su telescopio. Para calcular el aumento, simplemente divida la distancia focal de su telescopio (el PowerSeeker 80EQ de este ejemplo tiene una distancia focal de 900 mm) por la del ocular de 20 mm. El resultado de dividir 900 entre 20 es un aumento de 45x.

Aunque la potencia es variable, cada instrumento en un firmamento de visibilidad normal tiene un límite del máximo aumento útil. La regla general es que una potencia de 60 se puede utilizar por cada pulgada de apertura. Por ejemplo, el PowerSeeker 80EQ es de 7,11 cm (3,1 pulg.) de diámetro. Multiplicando 3,1 por 80 le da un máximo aumento útil de 189 en potencia. Aunque esto es el máximo aumento útil, la mayoría de las observaciones se realizan con una potencia entre 20 y 35 por cada pulgada de apertura, lo cual es de 60 a 109 veces en el telescopio PowerSeeker 80EQ. Puede determinar el aumento de su telescopio de la misma manera.

## ***Cómo se determina el campo visual***

La determinación del campo visual es importante si desea saber el tamaño angular del cuerpo celeste que está observando. Para calcular el campo visual actual, divida el campo aparente del ocular (provisto por el fabricante del mismo) por el aumento. La fórmula de esta ecuación es:

$$\text{Campo verdadero angular} = \frac{\text{Campo aparente del ocular}}{\text{Aumento}}$$

Como puede apreciar, antes de determinar el campo visual tiene que calcular el aumento. Usando el ejemplo de la sección anterior, podemos determinar el campo visual usando el mismo ocular de 20 mm que se proporciona con el telescopio PowerSeeker 80EQ. El ocular de 20 mm tiene un campo visual aparente de 50°. Divida los 50° por el aumento, que es potencia 45. El resultado es un campo real de 1,1°.

Para convertir grados a pies a 1.000 yardas, lo cual es más útil en observaciones terrestres, simplemente multiplique por 52,5. Continuando con nuestro ejemplo, multiplique el campo angular de 1,1° por 52,5. Esto produce un ancho de 58 pies del campo lineal a una distancia de mil yardas.

## ***Consejos generales para las observaciones***

Al trabajar con cualquier instrumento óptico, hay algunas cosas que se deben recordar para conseguir la mejor imagen posible.

- Nunca mire a través del cristal de ventanas. El cristal que se utiliza en las ventanas de edificios es ópticamente imperfecto y, como resultado de ello, puede variar en grosor en diferentes partes de una ventana. Esta variación afectará el poder o no enfocar su telescopio. En la mayoría de los casos no podrá conseguir una imagen verdaderamente nítida y quizás vea doble imagen.
- Nunca mire a través de los objetos o por encima de los mismos si estos producen ondas de calor. Esto incluye estacionamientos descubiertos de asfalto en los días calurosos de verano o los tejados de edificios.
- En los días nublados, con niebla o neblina puede también ser difícil ver objetos terrestres con el telescopio. La visualización detallada bajo estas circunstancias es extremadamente reducida.
- Si usted usa lentes con corrección (específicamente gafas), le recomendamos quitárselas cuando utilice el ocular acoplado al telescopio. Al utilizar una cámara, le recomendamos que use siempre sus lentes graduadas para poder conseguir el enfoque más perfecto que sea posible. Si tiene astigmatismo, le recomendamos que use sus lentes graduadas en todo momento.

# Información básica sobre astronomía

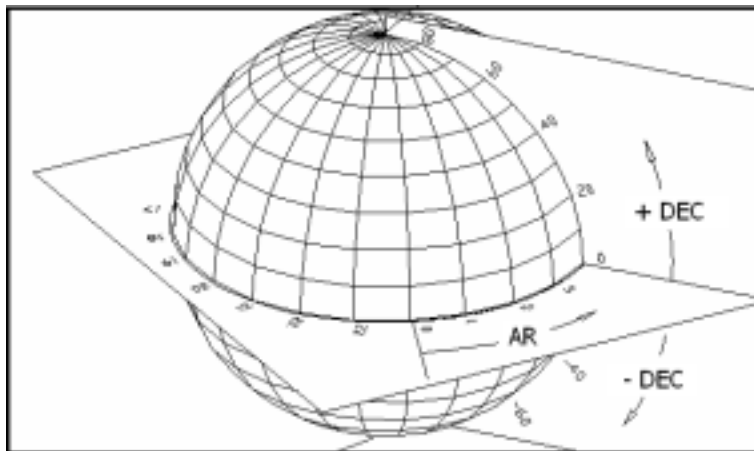
Hasta esta sección, su manual ha explicado el ensamblaje y el funcionamiento básico de su telescopio. No obstante, para entender mejor su telescopio, necesita saber más sobre el cielo nocturno. Esta sección trata de la astronomía de observación en general e incluye información sobre el cielo nocturno y la alineación polar.

## **El sistema de coordenadas de los cuerpos celestes**

Los astrónomos usan un sistema de coordenadas para poder ubicar cuerpos celestes similares a nuestro sistema de coordenadas geográficas en la Tierra. El sistema de coordenadas celestes tiene polos, líneas de longitud y latitud y un ecuador. En su gran mayoría, éstas permanecen fijas con las estrellas como fondo.

El ecuador celeste da una vuelta de 360 grados alrededor del planeta Tierra y separa los hemisferios norte y sur entre sí. Al igual que con el ecuador del planeta Tierra, su lectura es de cero grados. En la Tierra esto sería latitud. Sin embargo, en el cielo esto se conoce como declinación, o por su abreviatura, DEC. Las líneas de declinación se conocen por su distancia angular sobre o debajo del ecuador celeste. Las líneas están subdivididas en grados, minutos de arco y segundos de arco. Las lecturas de declinación al sur del ecuador tienen el signo menos (-) delante de la coordenada y las que están al norte del ecuador celeste están en blanco (p. ej., no tienen designación) o están precedidas por el signo más (+).

El equivalente celeste a la longitud se conoce como Ascensión Recta, o por su abreviatura A.R. De la misma manera que las líneas de longitud de la tierra, éstas van de un polo al otro, y están separadas uniformemente  $15^\circ$  entre sí. Si bien las líneas de longitud están separadas por una distancia angular, sirven también para medir el tiempo. Cada línea de longitud está a una hora de la siguiente. Dado que la Tierra rota una vez cada 24 horas, hay 24 líneas en total. Como resultado de esto, las coordenadas de A.R. están marcadas en unidades de tiempo. Comienzan con un punto arbitrario en la constelación de Piscis designado como 0 horas, 0 minutos, 0 segundos. El resto de los puntos están designados de acuerdo a la distancia (p. ej., cuánto tiempo) a esta coordenada después de pasar por encima moviéndose hacia el oeste.



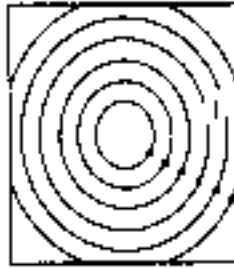
**Figura 4-1**

La esfera celeste vista desde el exterior mostrando A.R. y DEC.

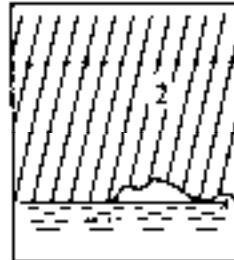
## **Movimiento de las estrellas**

El movimiento diario del Sol en el cielo es familiar incluso para el observador más casual. Esta trayectoria diaria no significa que el Sol se mueva como pensaban los astrónomos del pasado, sino que es el resultado de la rotación de la Tierra. Además, la rotación de la tierra hace que las estrellas hagan lo mismo, trazando un gran círculo a medida que la Tierra completa una rotación. La trayectoria circular que sigue una estrella depende de su posición en el cielo. Las estrellas que están cerca del ecuador celeste forman los mayores círculos, naciendo por el este y poniéndose por el oeste. Estos círculos se reducen a medida que nos movemos hacia el polo celeste, que es el punto alrededor del cual las estrellas del hemisferio norte aparentemente rotan. Las estrellas en las latitudes celestes medias nacen en el noreste y se ponen en el noroeste. Las estrellas a grandes latitudes celestes están siempre sobre el horizonte, y se las llama circumpolares, porque nunca nacen ni nunca se ponen. Usted nunca va a poder ver que las estrellas completen un círculo, porque la luz solar durante el día supera la luz de las estrellas. Sin embargo, se puede ver parte de este movimiento circular de las estrellas en esta región del firmamento colocando una cámara en un trípode y abriendo el obturador por un par de horas. El tiempo de exposición cronometrado mostrará semicírculos que giran alrededor del polo. (Esta descripción de movimientos estelares se aplica también al hemisferio sur, excepto que todas las estrellas al sur del ecuador celeste se mueven alrededor del polo sur celeste).

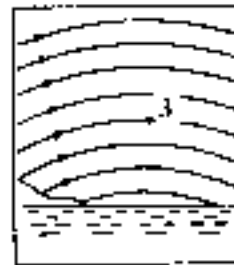
**Estrellas que se ven cerca del polo norte celeste**



**Estrellas que se ven cerca del ecuador celeste**



**Estrellas que se ven cuando se observa en la dirección opuesta al polo norte celeste**



**Figura 4-2**

Todas las estrellas parecen rotar alrededor de los polos celestes. Sin embargo, la apariencia de este movimiento varía según al punto donde se mire en el firmamento. Cerca del polo norte celeste las estrellas forman círculos reconocibles centrados en el polo (1). Las estrellas cerca del ecuador celeste también siguen trayectorias circulares alrededor del polo. Pero el horizonte interrumpe la trayectoria completa. Éstas parecen salir en el este y ponerse en el oeste (2). Al mirar hacia el polo opuesto, las estrellas se curvan en la dirección opuesta formando un círculo alrededor del polo opuesto (3).



**Figura 4-3**

## ***Alineación polar con la escala de latitud***

La forma más fácil de efectuar la alineación polar de un telescopio es usando una escala de latitud. A diferencia de otros métodos que requieren la localización del polo celeste, mediante la identificación de ciertas estrellas en sus inmediaciones, este método funciona partiendo de una constante conocida para determinar a qué altura tiene que estar el eje polar. El montaje ecuatorial del PowerSeeker puede ajustarse desde 20 a 60 grados aproximadamente (vea la Figura 4-3).

La constante mencionada anteriormente es una relación entre la latitud en que usted se encuentra y la distancia angular que el polo celeste está por encima del horizonte boreal (o austral). La distancia angular desde el horizonte boreal al polo celeste norte es siempre igual a la latitud en que usted se encuentra. Para ilustrar esto, imagínesse que usted se encuentra de pie en el polo norte, latitud  $+90^\circ$ . El polo norte celeste, que tiene una declinación de  $+90^\circ$ , estará directamente por encima (p. ej., 90 sobre el horizonte). Bien, digamos que usted se desplaza un grado hacia el sur, su latitud es ahora  $+89^\circ$  y el polo celeste ya no está más directamente por encima. Eso es porque se acercó un grado al horizonte boreal. Esto quiere decir que el polo está ahora a  $89^\circ$  sobre el horizonte boreal. Esto se repite si se desplaza un grado más hacia el sur. Para cambiar un grado de latitud tendrá que desplazarse 70 millas hacia el norte o hacia el sur. Como se puede apreciar en este ejemplo, la distancia desde el horizonte boreal al polo celeste es siempre igual a su latitud.

Si está haciendo sus observaciones desde Los Ángeles, cuya latitud es de  $34^\circ$ , el polo celeste está a  $34^\circ$  sobre el horizonte boreal. La escala de latitud sirve únicamente para apuntar al eje polar del telescopio a la elevación correcta sobre el horizonte boreal (o austral).

Si desea alinear su telescopio:

1. Cerciórese de que el eje polar del montaje está apuntando al norte verdadero. Use un punto que usted sepa que mira hacia el norte.
2. Nivelación del trípode. La nivelación del trípode es sólo necesaria si utiliza este método de alineación polar.
3. Ajuste el montaje en latitud hasta que el indicador de latitud apunte a la latitud donde usted se encuentra. El movimiento del montaje afecta el ángulo del eje polar al cual está apuntando. Para obtener información específica sobre el ajuste del montaje ecuatorial, vea la sección "Ajuste del montaje".

Este método puede hacerse con la luz del día, eliminando consecuentemente la necesidad de andar a tientas en la oscuridad. Si bien este método **NO** le coloca directamente en el polo, le ayuda a limitar la cantidad de correcciones que tendría que hacer para buscar un objeto.

## Cómo se apunta a Polaris

Este método usa a Polaris como orientación al polo norte celeste. Dado que Polaris está a menos de un grado del polo celeste, lo único que tiene que hacer es apuntar el eje polar de su telescopio a esta estrella. Si bien está lejos de ser una alineación perfecta, le sitúa dentro de un grado. A diferencia del método anterior, esto debe hacerse cuando es de noche y Polaris es visible.

1. Coloque el telescopio de manera que el eje polar quede apuntando al norte (vea la Figura 4-6).
2. Afloje el control de la declinación y mueva el telescopio de manera que el tubo quede paralelo al eje polar. De esta manera la lectura del calibrador de fijación de la declinación será de  $+90^\circ$ . Si el calibrador de fijación de la declinación no está alineado, mueva el telescopio de manera que el tubo quede paralelo al eje polar.
3. Ajuste el montaje en altura y/o el acimutal hasta que Polaris esté en el campo visual del buscador.

**Recuerde que al realizar una alineación polar, NO debe mover el telescopio en A.R. o DEC. No debe mover el telescopio sino el eje polar. El telescopio se usa simplemente para ver hacia dónde está apuntando el eje polar.**

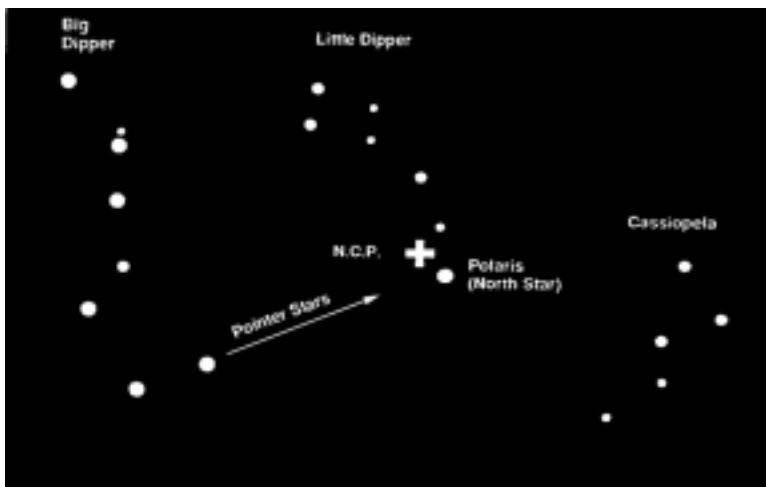
Igual que en el método anterior, esto le acerca al polo, pero no le coloca directamente en él. El siguiente método sirve para mejorar la exactitud de sus observaciones y fotografías más importantes.

## Cómo se localiza el polo norte celeste

Cada hemisferio tiene un punto en el firmamento alrededor del cual aparentemente todas las otras estrellas rotan. Estos puntos se llaman polos celestes y su nombre proviene del hemisferio en el cual se encuentran. Por ejemplo, en el hemisferio norte todas las estrellas se mueven alrededor del polo norte celeste. Cuando se apunta el eje polar de un telescopio al polo celeste, dicho eje queda paralelo al eje de rotación de la Tierra.

Muchos métodos de alineación polar requieren que usted sepa cómo localizar el polo celeste mediante la identificación de estrellas en el área. Para las que están en el hemisferio norte, la localización del polo celeste es relativamente sencilla. Afortunadamente, tenemos una estrella que se ve a simple vista y que está a menos de un grado de distancia. Esta estrella, Polaris, es la última en la barra del Carro Menor. Dado que el Carro Menor (técnicamente llamado Osa Menor) no es una de las constelaciones más brillantes en el cielo, puede resultar difícil ubicarlo desde zonas urbanas. Si esta es la situación, use las dos estrellas que están en el extremo en la taza del Carro Mayor (las estrellas indicadoras). Trace una línea imaginaria a través de ellas hacia el Carro Menor. Apuntan a Polaris (vea la Figura 4-5). La posición del Carro Mayor cambia durante el año y en el curso de la noche (vea la Figura 4-4). Cuando el Carro Mayor está bajo en el firmamento (p. ej., cerca del horizonte), quizás sea difícil localizarlo. Durante esos días, busque a Casiopea (vea la Figura 4-5). Los observadores en el hemisferio sur no son tan afortunados como los del hemisferio norte. Las estrellas alrededor del polo sur celeste no son tan brillantes como las que están alrededor del norte. La estrella más cercana que es relativamente brillante es Sigma Octantis. Esta estrella es apenas visible a simple vista (magnitud 5,5) y está situada a aproximadamente 59 minutos de arco del polo.

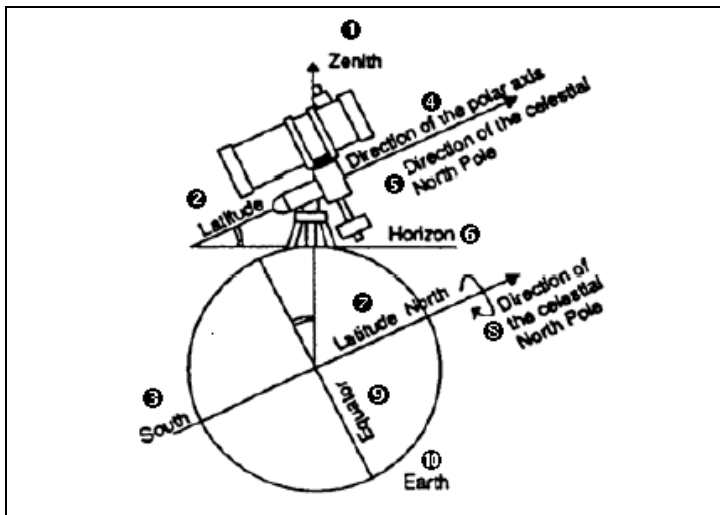
*El polo norte celeste es el punto en el hemisferio norte alrededor del cual aparentemente todas las estrellas rotan. La contraparte en el hemisferio sur se conoce como el polo sur celeste.*



**Figura 4-5**  
Las dos estrellas enfrente del Carro Mayor apuntan hacia Polaris, que está a menos de un grado del verdadero (norte) polo celeste. Casiopea, la constelación en forma de “W”, está en el lado opuesto del polo partiendo del Carro Mayor. El Polo Celeste Norte (P.C.N.) tiene el signo de “+”.



**Figura 4-4**  
La posición del Carro Mayor cambia durante el año y la noche.



- ① Cenit
- ② Latitud
- ③ Sur
- ④ Dirección del eje polar
- ⑤ Dirección del polo norte celeste
- ⑥ Horizonte
- ⑦ Latitud norte
- ⑧ Dirección del polo norte celeste
- ⑨ Ecuador
- ⑩ Tierra

Figura 4-6

Alineación del montaje ecuatorial de acuerdo al eje polar de la Tierra

## Alineación polar en el hemisferio sur

La alineación polar al polo celeste sur (PCS) es un poco más difícil debido a que no hay una estrella muy brillante cerca como lo está Polaris del PCN. Hay varias formas de realizar la alineación polar de su telescopio y para hacer observaciones de vez en cuando los métodos siguientes le llevarán razonablemente cerca del PCS.

### Alineación polar con escala de latitud

La forma más fácil de efectuar la alineación polar de un telescopio es usando una escala de latitud. A diferencia de otros métodos que requieren la localización del polo celeste, mediante la identificación de ciertas estrellas en sus inmediaciones, este método funciona partiendo de una constante conocida para determinar a qué altura tiene que estar apuntado.



Figura 4-7

La constante mencionada anteriormente es una relación entre la latitud en que usted se encuentra y la distancia angular que el polo celeste está por encima del horizonte austral. La distancia angular desde el horizonte austral al polo celeste sur es siempre igual a la latitud en que usted se encuentra. Para ilustrar esto, imagínesse que usted se encuentra de pie en el polo sur, latitud  $-90^\circ$ . El polo celeste sur, que tiene una declinación de  $-90^\circ$ , estará directamente por encima (p. ej.,  $90^\circ$  sobre el horizonte). Bien, digamos que usted se desplaza un grado hacia el norte, su latitud es ahora  $-89^\circ$  y el polo celeste ya no está más directamente por encima. Eso es porque se acercó un grado al horizonte austral. Esto quiere decir que el polo está ahora a  $89^\circ$  sobre el horizonte austral. Esto se repite si se desplaza un grado más hacia el norte. Para cambiar un grado de latitud tendrá que desplazarse 70 millas hacia el norte o hacia el sur. Como se puede apreciar en este ejemplo, la distancia desde el horizonte austral al polo celeste es siempre igual a su latitud.

Si está haciendo sus observaciones desde Sydney, cuya latitud es de  $-34^\circ$ , el polo celeste está a  $34^\circ$  sobre el horizonte austral. La escala de latitud sirve únicamente para apuntar al eje polar del telescopio a la elevación correcta sobre el horizonte austral. Si desea alinear su telescopio:

1. Cerciórese de que el eje polar del montaje está apuntando al sur. Use un punto que usted sepa que mira hacia el sur.
2. Nivelación del trípode. La nivelación del trípode es sólo necesaria si utiliza este método de alineación polar.
3. Ajuste el montaje en latitud hasta que el indicador de latitud apunte a la latitud donde usted se encuentra. El movimiento del montaje afecta el ángulo del eje polar al cual está apuntando. Para obtener información específica sobre el ajuste del montaje ecuatorial, vea la sección "Ajuste del montaje" en el manual de su telescopio.
4. Si hace correctamente lo anterior, podrá entonces ver cerca del polo a través del telescopio buscador y un ocular de baja potencia.

Este método puede hacerse con la luz del día, eliminando consecuentemente la necesidad de andar a tientas en la oscuridad. Si bien este método **NO** le coloca directamente en el polo, le ayuda a limitar la cantidad de correcciones que tendría que hacer para buscar un objeto.

## Cómo guiarse apuntando hacia Sigma Octantis

Este método utiliza Sigma Octantis como orientación hacia el polo celeste. Dado que Sigma Octantis está a un grado aproximadamente del polo celeste sur, lo único que tiene que hacer es apuntar el eje polar de su telescopio a esta estrella. Si bien está lejos de ser una alineación perfecta, le sitúa dentro de un grado. A diferencia del método anterior, esto debe hacerse cuando es de noche y Sigma Octantis es visible. Sigma Octantis tiene una magnitud de 5,5 y puede ser difícil verla, por lo que se aconseja utilizar un binocular junto con un telescopio buscador.

1. Coloque el telescopio de manera que el eje polar quede apuntando al sur.
2. Afloje el control de la declinación (DEC.) y mueva el telescopio de manera que el tubo quede paralelo al eje polar. De esta manera la lectura del calibrador de fijación de la declinación será de 90°. Si el calibrador de fijación de la declinación no está alineado, mueva el telescopio de manera que el tubo quede paralelo al eje polar.
3. Ajuste el montaje en altura y/o el acimutal hasta que Sigma Octantis esté en el campo visual del buscador.
4. Si hace correctamente lo anterior, podrá entonces ver cerca del polo a través del telescopio buscador y un ocular de baja potencia.

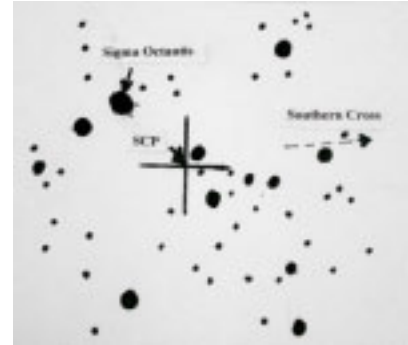


Figura 4-8

**Recuerde que al realizar una alineación polar, NO debe mover el telescopio en A.R. o DEC. No debe mover el telescopio sino el eje polar. El telescopio se usa simplemente para ver hacia dónde está apuntando el eje polar.**

Igual que en el método anterior, esto le acerca al polo, pero no le coloca directamente en él.

## Cómo encontrar el Polo Celeste Sur (por sus siglas en inglés SCP)

Este método le ayuda a mejorar su alineación polar y le acerca más al polo que con el método anterior. Esto mejorará su exactitud para conseguir observaciones y fotografías más profesionales.

Cada hemisferio tiene un punto en el firmamento alrededor del cual aparentemente todas las otras estrellas rotan. Estos puntos se llaman polos celestes y su nombre proviene del hemisferio en el cual se encuentran. Por ejemplo, en el hemisferio sur todas las estrellas se mueven alrededor del polo celeste sur. Cuando se apunta el eje polar de un telescopio al polo celeste, dicho eje queda paralelo al eje de rotación de la Tierra.

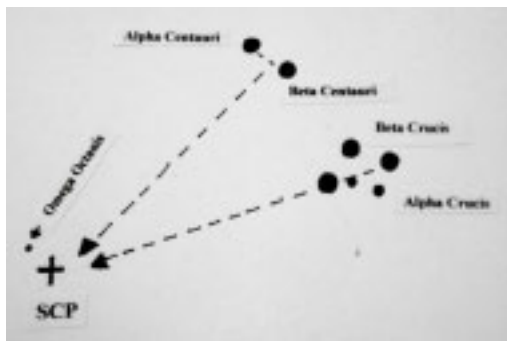


Figura 4-9

Muchos métodos de alineación polar requieren que usted sepa cómo localizar el polo celeste mediante la identificación de estrellas en el área. Los observadores en el hemisferio sur no son tan afortunados como los del hemisferio norte. Las estrellas alrededor del polo sur celeste no son tan brillantes como las que están alrededor del polo celeste norte. La estrella más cercana que es relativamente brillante es Sigma Octantis. Esta estrella se encuentra a un grado aproximadamente del polo celeste sur y se puede ver casi a simple vista (magnitud de 5,5), pero puede ser difícil de localizar.

Por consiguiente, con este método tendrá que utilizar las formaciones de estrellas para encontrar el polo celeste sur. Trace una línea imaginaria hacia el PCS a través de las estrellas Alfa Crucis y Beta Crucis (que están en la constelación Cruz del Sur). Trace otra línea imaginaria hacia el PCS en ángulo recto a una línea que conecte las estrellas Alfa Centauri y Beta Centauri. La intersección de estas dos líneas imaginarias le pondrá cerca del polo celeste sur.



## Cómo se usan los calibradores de fijación

Antes de poder utilizar los calibradores de fijación para encontrar cuerpos celestes en el firmamento necesita alinear el calibrador de fijación A.R.; los incrementos del mismo se hace en minutos. El calibrador de fijación de la declinación tiene una escala de grados y viene con ajustes predeterminados en fábrica, por lo que no necesitará ningún cambio. En el calibrador de fijación de A.R. hay dos grupos de números: uno para el hemisferio norte (parte superior) y otro para el hemisferio sur (parte inferior).

Para poder alinear el calibrador de fijación A.R., tendrá que saber los nombre de algunas de las estrellas más brillantes del firmamento. Si no sabe sus nombres, los podrá aprender con los mapas del firmamento de Celestron (Nº 93722) o en revistas actuales de astronomía.

Para alinear el calibrador de fijación A.R.:

1. Localice una estrella brillante cerca del ecuador celeste. Cuanto más lejos esté del polo celeste mejor será la lectura del calibrador de fijación A.R. La estrella que elija alinear con el calibrador de fijación deberá ser brillante cuyas coordenadas se conozcan y sean fáciles de encontrar.
2. Centre la estrella en el telescopio buscador.
3. Mire por el telescopio principal y vea si la estrella está en el campo visual. Si no está, búsquela y céntrala.
4. Busque las coordenadas de la estrella.
5. Gire el calibrador hasta alinear bien las coordenadas con el indicador de A.R. El calibrador de fijación A.R. deberá rotar libremente.

**NOTA:** Debido a que el calibrador de fijación A.R. **NO** se mueve con el telescopio en A.R., dicho calibrador deberá alinearse cada vez que quiera utilizarlo para encontrar un objeto. Sin embargo, no tendrá que utilizar una estrella cada vez, sino que podrá utilizar las coordenadas del objeto que esté observando.

Una vez alineados los calibradores, podrá utilizarlos para encontrar objetos con coordenadas conocidas. La exactitud de sus calibradores de fijación está directamente relacionada con la exactitud de su alineación polar.

1. Seleccione un objeto para observar. Utilice una carta de estrellas estacionales para asegurarse de que el objeto que haya elegido está por encima del horizonte. A medida que se familiarice con el firmamento nocturno, esto no será ya necesario.
2. Busque las coordenadas en un atlas de estrellas o libro de referencias.
3. Sujete el telescopio y suelte el botón de bloqueo Dec.
4. Mueva el telescopio en declinación hasta que el indicador esté apuntando hacia la coordenada de declinación correcta.
5. Fije el botón de bloqueo Dec. para evitar que el telescopio se mueva.
6. Sujete el telescopio y suelte el botón de bloqueo A.R.
7. Mueva el telescopio en A.R. hasta que el indicador apunte a la coordenada correcta.
8. Fije el botón de bloqueo A.R. para evitar que el telescopio se mueva en A.R.
9. Mire por el telescopio buscador para ver si ha localizado el objeto y centre el mismo en el telescopio buscador.
10. Mire en los ópticos principales y el objeto deberá estar ahí. Es posible que no pueda ver por el telescopio buscador algunos de los objetos menos perceptibles. Cuando esto ocurre, es buena idea tener un mapa de estrellas de ese área donde pueda saltar por el campo de visión a su objetivo.
11. Este proceso puede repetirse para cada objeto durante cualquier noche.



**Figura 4-10**

Calibrador Dec. en parte superior y calibrador A.R. en parte inferior

## Motor impulsor

Para poder localizar cuerpos celestes, Celestron ofrece un motor impulsor DC de eje único para el montaje ecuatorial del PowerSeeker. Una vez que se consigue la alineación polar, el motor impulsor encontrará con exactitud los cuerpos en ascensión recta a medida que se mueven en el firmamento. Sólo serán necesarios pequeños ajustes en la declinación para mantener centrados en el ocular los cuerpos celestes durante largos periodos de tiempo. Algunos modelos vienen con este motor impulsor y también se vende como un accesorio opcional. (Modelo N° 93514) para otros modelos.

**Instalación del motor impulsor** (para aquellos que lo compran como accesorio opcional).

El motor impulsor se conecta al montaje ecuatorial del PowerSeeker por medio de un enganche flexible que se monta al eje de movimiento lento A.R. y un soporte que sujeta el motor en su lugar. Para instalar el motor impulsor, vea la descripción y las fotos a continuación:

1. El cable de movimiento lento A.R. debe estar conectado al eje A.R. opuesto a la escala de latitud.
2. Quite el perno de cabeza Allen situado en el lateral del eje polar.
3. Deslice el extremo abierto del enganche flexible del motor sobre el eje A.R. El tornillo del enganche flexible del motor debe estar situado sobre la parte plana del eje A.R.
4. Apriete el tornillo del enganche del motor con un destornillador de cabeza plana.
5. Gire el motor sobre el eje hasta que la ranura en el soporte del motor esté alineada con el orificio roscado del centro del eje movable de la latitud del montaje.
6. Pase el perno de cabeza Allen por el soporte del motor y enrósquelo en el orificio del lateral del eje movable. A continuación, apriete el perno con una llave inglesa Allen.



Figura 4-11

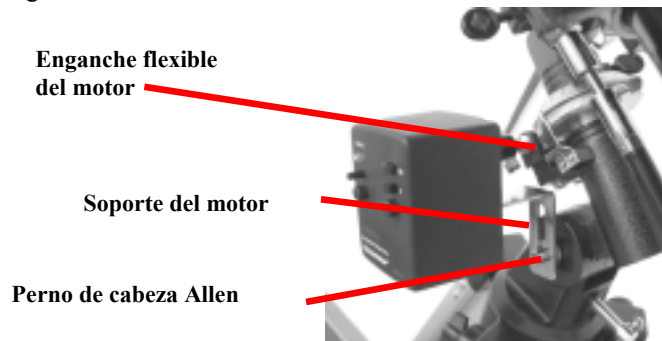


Figura 4-12

## Funcionamiento del motor impulsor

El motor impulsor funciona con una pila alcalina de 9 voltios. Ésta permite un funcionamiento de hasta 40 horas según la velocidad del motor y la temperatura ambiente. La pila debe estar ya instalada; en caso de que no esté (o tenga que reemplazarla), destornille los dos tornillos del montaje (Figura 4-11), retire la placa del panel de control del ensamblaje del motor y quite el soporte del mismo. A continuación podrá llegar a la pila conectada a los cables para realizar la instalación o reemplazarla. Finalmente, invierta todos los pasos para instalar el motor impulsor en el montaje.

El motor impulsor está equipado con un regulador de la velocidad (en la Figura 4-11 está sobre el tornillo de montaje) que permite al motor establecer una mayor o menor velocidad. Esto es útil cuando se hacen observaciones no estelares, como la luna o el sol, los cuales se mueven a una velocidad ligeramente diferente que las estrellas. Para cambiar la velocidad del motor, deslice el interruptor de apagado y encendido (On/Off) a la posición de "ON" (encendido) y la luz roja del indicador se encenderá. A continuación, gire el botón regulador de la velocidad hacia la derecha para aumentar la velocidad del motor y hacia la izquierda para disminuirla.

Para determinar la velocidad adecuada, la alineación del telescopio deberá ser ligeramente polar. Localice una estrella en el ecuador celeste (aproximadamente a una declinación de 0°) y céntrala en un ocular de baja potencia. Ahora encienda el motor y deje que el telescopio realice la búsqueda durante 1 ó 2 minutos. Si después de unos minutos, la estrella se desplaza hacia el oeste, el motor está realizando la búsqueda muy lentamente, por lo que se deberá aumentar la velocidad del mismo. Si la estrella se desplaza hacia el este, disminuya entonces la velocidad del motor. Repita este proceso hasta que la estrella permanezca centrada en el ocular durante varios minutos. Recuerde ignorar cualquier desviación estelar en declinación.

El motor impulsor también tiene un interruptor "N/S" que se puede utilizar si se está operando en el hemisferio norte o sur.



# Observación de cuerpos celestes

Ahora que su telescopio está preparado, ya puede utilizarlo para hacer observaciones. Esta sección cubre las recomendaciones que se ofrecen para realizar observaciones visuales del sistema solar y de objetos en el firmamento lejano junto con circunstancias generales de observación que afectarán su posibilidad de observación.

## Observación de la luna



Con frecuencia es tentador mirar a la luna llena. Aquí vemos que la cara está totalmente iluminada y su resplandor puede ser abrumador. Además de eso, durante esta fase es difícil apreciar poco o nada de contraste.

Uno de los mejores momentos para observar la luna es durante sus fases parciales, tales como el cuarto creciente o cuarto menguante. Las sombras largas revelan una gran cantidad de detalles de la superficie lunar. A baja potencia se verá casi todo el disco lunar de una vez. Cambie a oculares ópticos de mayor potencia (aumento) para enfocar en un área más pequeña.

## Sugerencias para observar la luna

Para agregar contraste y poder observar más detalles en la superficie lunar, utilice los filtros opcionales. Un filtro amarillo funciona bien en la mejora del contraste mientras que una densidad neutral o filtro de polarización reducirá el brillo y el resplandor de la superficie.

## Observación de los planetas

Otros cuerpos celestes fascinantes son los cinco planetas a simple vista. Venus se puede ver a través de sus fases, que son parecidas a las de la luna. Marte puede revelar una multitud de detalles sobre su superficie y uno, si no ambos, de sus casquetes polares. Podrá ver los cinturones nubosos de Júpiter y la gran Mancha Roja (si son visibles en ese momento). Además, va a poder ver las lunas de Júpiter en sus órbitas alrededor del planeta gigante. Saturno, con sus extraordinarios anillos, es fácilmente visible con potencia moderada, al igual que Mercurio.



## Consejos para las observaciones planetarias

- Recuerde que las condiciones atmosféricas son por lo general el factor de limitación en la visibilidad detallada de los planetas. Por ello, evite hacer observaciones de los planetas cuando estos estén bajos en el horizonte o cuando estén directamente encima de un emisor de calor, tal como la superficie de un tejado o chimenea. Vea las “Condiciones de observación” que se presentan más adelante en esta sección.
- Para agregar contraste y poder observar más detalles en la superficie de los planetas, utilice los filtros oculares de Celestron.

## Observación del sol

Aunque muchos de los aficionados astrónomos no consideran la observación solar, ésta puede ser muy satisfactoria y a la vez divertida. No obstante, debido a que el Sol tiene demasiada luz, se deben tomar precauciones especiales para proteger los ojos y el telescopio.

Para observar el Sol, utilice un filtro solar apropiado que reduzca la intensidad de la luz y así protegerse. Con un filtro podrá apreciar las manchas solares y su movimiento por el disco y las fáculas solares, las cuales son unas manchas brillantes que se ven cerca del borde del Sol.

- El mejor momento para observar el Sol es de madrugada o al atardecer cuando el aire es más fresco.
- Para centrar el Sol sin mirar por el ocular, observe la sombra del tubo del telescopio hasta que forme una sombra circular.

## **Observación de cuerpos celestes en el cielo profundo**

Los cuerpos celestes del cielo profundo son simplemente aquellos que están fuera de los límites de nuestro sistema solar. Estos abarcan grupos estelares, nebulosas planetarias, nebulosas difusas, estrellas dobles y otras galaxias fuera de nuestra propia Vía Láctea. La mayoría de los cuerpos celestes del cielo profundo tienen un gran tamaño angular. Por lo tanto, todo lo que necesita para verlos es una potencia de baja a moderada. Visualmente son muy poco perceptibles para revelar cualquiera de los colores que se ven en las fotografías de larga exposición. En cambio, aparecen en blanco y negro. Dado su bajo brillo de superficie, se los debe observar desde un lugar con “cielo oscuro”. La contaminación lumínica en grandes zonas urbanas reduce la visibilidad de la mayoría de las nebulosas, por lo que es difícil, si no imposible, observarlas. Los filtros para reducir la luz ambiental ayudan a reducir el brillo de fondo del cielo y por consiguiente aumenta el contraste.

### **Condiciones para la observación**

Las condiciones de visualización afectan lo que puede ser visible con el telescopio durante una sesión de observaciones. Las condiciones incluyen transparencia, iluminación celeste y visión. El entender las condiciones de visualización y el efecto que tienen en las observaciones le ayudarán a obtener el máximo rendimiento de su telescopio.

#### **Transparencia**

El término transparencia se refiere a la claridad de la atmósfera y si ésta está afectada por nubes, humedad y otras partículas en suspensión. Los cúmulos espesos de nubes son completamente opacos, mientras que los cirros pueden ser menos espesos, permitiendo el paso de la luz de las estrellas más brillantes. Los cielos brumosos absorben más luz que los despejados, haciendo que los cuerpos menos perceptibles sean difíciles de observar, reduciendo el contraste de los más brillantes. La transparencia también se ve afectada por los aerosoles que llegan a la atmósfera producidos por las erupciones volcánicas. Las condiciones ideales son cuando el cielo nocturno está completamente negro.

#### **Iluminación del cielo**

La claridad general del cielo causada por la luna, las auroras, la luminiscencia atmosférica natural y la contaminación ligera afectan considerablemente la transparencia. Si bien no son un problema cuando se observan estrellas y planetas más brillantes, los cielos brillantes reducen el contraste de las nebulosas extendidas, por lo cual es difícil, si no imposible, verlas. Si desea maximizar su observación, haga las observaciones de cielo profundo exclusivamente durante noches sin luna, lejos de cielos con luz de los alrededores de grandes zonas urbanas. Los filtros para la reducción de luz (Light Pollution Reduction [LPR]) mejoran las observaciones del cielo profundo desde zonas con luz, mediante el bloqueo de la misma, sin dejar de transmitir la luz proveniente de ciertos objetos del cielo profundo. Por otra parte puede también observar planetas y estrellas desde zonas con luz o cuando haya luna.

#### **Visión**

Las condiciones de la visión se refieren a la estabilidad de la atmósfera y afecta directamente la cantidad de los pequeños detalles que se ven en los objetos extendidos. El aire en nuestra atmósfera actúa como una lente, que difracta y distorsiona los rayos de luz entrantes. La cantidad de difracción depende de la densidad del aire. Las capas de aire a diferentes temperaturas tienen distintas densidades y, por consiguiente, difractan la luz de manera diferente. Los rayos de luz del mismo objeto llegan levemente desplazados, creando una imagen imperfecta o borrosa. Estas perturbaciones atmosféricas varían de vez en cuando y de un lugar a otro. El tamaño de las “parcelas de aire” comparadas a su apertura determina la calidad de la “visión”. Bajo buenas condiciones de “visión”, se pueden apreciar los detalles mínimos en los planetas más brillantes, como Júpiter y Marte, y las estrellas se ven como imágenes perfectas. Bajo condiciones desfavorables de “visión”, las imágenes se ven borrosas y las estrellas parecen manchas.

Las condiciones descritas aquí se aplican tanto a observaciones visuales como fotográficas.



**Figura 5-1**

Las condiciones de “visión” afectan directamente la calidad de la imagen. Estos dibujos representan una fuente de puntos (p. ej., estrella) bajo malas condiciones de “visión” (izquierda) a excelentes (derecha). Con mayor frecuencia, las condiciones de “visión” producen imágenes comprendidas entre estos dos extremos.

La serie de telescopios PowerSeeker ha sido diseñada para observaciones visuales. Después de mirar al cielo nocturno durante unos minutos es posible que quiera fotografiarlo. Hay varias formas de fotografiar con su telescopio los cuerpos celestes y objetos terrestres. A continuación ofrecemos una explicación breve de algunos de los métodos disponibles de fotografiar y le sugerimos algunos libros sobre el tema.

Como mínimo necesitará una cámara digital o una cámara SLR de 35 mm. Conecte su cámara al telescopio con:

- Cámara digital: Necesitará el “adaptador universal de cámara digital” (Nº 93626). El adaptador permite a la cámara tener estabilidad para fotografiar objetos terrestres y astros con un resultado de primera calidad.
- Cámara SLR de 35 mm: Tendrá que quitar las lentes de la cámara y conectar un aro T para la marca específica de la cámara. Después necesitará un adaptador en T (Nº 93625) para conectar un extremo al aro T y el otro al tubo de enfoque del telescopio. Su telescopio es ahora la lente de la cámara.

### **Fotografía de corta exposición con resultados de primera calidad**

La fotografía de corta exposición con resultados de primera calidad es la mejor forma de obtener imágenes de los cuerpos celestes. Se puede llevar a cabo conectando la cámara al telescopio como se describe en el párrafo anterior. Tenga en mente lo siguiente:

- Ponga en alineación polar el telescopio e inicie el motor impulsor opcional para realizar la búsqueda.
- Podrá fotografiar la luna lo mismo que otros planetas más brillantes. Tendrá que practicar con diferentes configuraciones y tiempos de exposición. En el manual de instrucciones de su cámara podrá obtener información como suplemento a lo que puede leer en los libros que tratan con detalle este tema.
- Si es posible, haga sus fotografías cuando el cielo está oscuro.

### **Fotografía piggyback**



Figura 6-1

En los telescopios 70EQ, 80EQ, 114EQ y 127EQ, las fotografías *piggyback* se hacen con una cámara y sus lentes normales encima del telescopio. Por medio de este método puede obtener imágenes de constelaciones enteras y nebulosas de gran escala. Puede ajustar su cámara con el tornillo adaptador (Figura 6-1) situado en la parte superior del aro de montaje del tubo (su cámara tendrá un orificio en la parte inferior donde enroscar ese tornillo). Tendrá que poner en alineación polar el telescopio e iniciar el motor impulsor opcional para realizar la búsqueda.

### **Fotografía con imágenes especiales de la luna y de los planetas**

Durante los últimos años una nueva tecnología ha evolucionado para hacer posible obtener imágenes extraordinarias de los planetas y de la luna con relativa facilidad; los resultados son verdaderamente excepcionales. Celestron ofrece el NexImage (Nº 93712) que es una cámara especial e incluye software para el procesamiento de imágenes. Puede obtener imágenes planetarias en su primera noche de observación, las cuales serán mejores que las tomadas con grandes telescopios por profesionales hace sólo unos años.

### **Imágenes CCD de objetos en el firmamento profundo**

Se han diseñado cámaras especiales para obtener imágenes de objetos en el cielo profundo. Estas cámaras han evolucionado en los últimos años y son hoy en día más económicas, por lo que los aficionados pueden ahora obtener imágenes fantásticas con ellas. Se han escrito varios libros sobre cómo obtener las mejores imágenes posibles. La tecnología continúa evolucionando para lanzar al mercado productos mejores y más fáciles de utilizar.

### **Fotografía terrestre**

Su telescopio tiene una excelente lente de telefoto para obtener fotografías terrestres. Puede obtener imágenes de diferentes paisajes, vida animal, naturaleza o de casi cualquier cosa. Tendrá que practicar con el enfoque, las velocidades, etc., para obtener la mejor imagen deseada. Puede adaptar su cámara de acuerdo a las instrucciones que se ofrecen en la parte superior de esta página.



# Mantenimiento del telescopio

Aunque su telescopio necesita poco mantenimiento, hay algunas cosas que debe recordar para que su telescopio funcione de forma óptima.

## **Cuidado y limpieza de las lentes ópticas**

Limpie la lente del objetivo o el espejo principal (según el tipo de telescopio que tenga) de vez en cuando para que no acumule polvo o humedad. Tenga cuidado al limpiar cualquier instrumento para no dañar el sistema óptico.

Si se acumula polvo en el sistema óptico, límpielo con un cepillo (hecho de pelo de camello) o con aire comprimido. Pulverice en diagonal la superficie de vidrio durante dos o cuatro segundos aproximadamente. A continuación, utilice una solución de limpieza para lentes ópticas y un pañuelo de papel para limpiarlo. Ponga solución al pañuelo de papel y limpie con éste el sistema óptico. Presione ligeramente desde el centro de la lente (o espejo) hacia la parte exterior. **¡NO restregar en círculos!**

Puede utilizar un limpiador de lentes fabricado o hacer la mezcla usted mismo. Una buena solución de limpieza es alcohol isopropílico mezclado con agua destilada. La solución deberá contener el 60% de alcohol isopropílico y el 40% de agua destilada. También puede utilizar jabón de vajillas diluido con agua (un par de gotas por cada litro de agua).

De vez en cuando podrá ver humedad en el sistema óptico de su telescopio durante una sesión de observación. Si desea continuar utilizando el telescopio tendrá que secar la humedad, bien con un secador de pelo (a baja temperatura) o apuntando el telescopio hacia la tierra hasta que se haya evaporado el agua.

Si hay condensación dentro del sistema óptico, quite los accesorios del telescopio. Coloque el telescopio donde no haya polvo y apúntelo hacia abajo. Esto secará la humedad en el tubo del telescopio.

Para reducir al mínimo la necesidad de limpiar su telescopio, vuelva a poner todas las cubiertas de las lentes al acabar de utilizarlo. Como los elementos NO están sellados, las cubiertas deberán colocarse sobre las aberturas cuando no se esté utilizando el telescopio. Esto evitará que entren contaminantes en el tubo óptico.

Los ajustes internos y la limpieza interna deberán realizarse solamente por el departamento de reparaciones de Celestron. Si su telescopio necesita una limpieza interna, llame a la fábrica para obtener un número de autorización para su devolución y un presupuesto del coste.

## **Colimación de un telescopio newtoniano**

El funcionamiento óptico de la mayoría de los telescopios newtonianos reflectores puede optimizarse colimando de nuevo (alineando) el sistema óptico del telescopio si fuera necesario. Colimar el telescopio significa simplemente equilibrar los elementos ópticos. Una mala colimación resultará en aberraciones y distorsiones ópticas.

Antes de colimar su telescopio, dedique tiempo a familiarizarse con todos sus componentes. El espejo principal es el más grande de la parte extrema posterior del tubo del telescopio. Este espejo se ajusta al aflojar y apretar los tres tornillos (a 120 grados entre sí) en el extremo del tubo del telescopio. El espejo secundario (el pequeño espejo elíptico debajo del mecanismo de enfoque de la parte anterior del tubo) también tiene tres tornillos de ajuste; tendrá que utilizar herramientas (descritas a continuación) para realizar la colimación. Para determinar si el telescopio necesita colimación, apunte primero su telescopio hacia una pared iluminada o hacia el cielo azul en el exterior.

### **Alineación del espejo secundario**

Lo siguiente describe el procedimiento para realizar la colimación de su telescopio durante el día utilizando la herramienta de colimación del telescopio newtoniano (N° 94183) que ofrece Celestron. Para colimar el telescopio sin esta herramienta, lea la siguiente sección sobre la colimación de estrellas durante la noche. Para realizar una colimación exacta, se ofrece el ocular de colimación de 3,18 cm (1 ¼ pulgadas) (N° 94182).

Si tiene un ocular en el mecanismo de enfoque, quítelo. Coloque el tubo de enfoque completamente utilizando los botones de enfoque hasta que el tubo plateado ya no se vea. Mirará por el mecanismo de enfoque al reflejo del espejo secundario proyectado desde el espejo principal. Mientras que hace esto, ignore el reflejo perfilado del espejo principal. Introduzca la tapa de colimación en el mecanismo de enfoque y mire a través del mismo. Al retraer totalmente el enfoque, podrá ver todo el espejo principal reflejado en el espejo secundario. Si el espejo principal no está centrado en el espejo secundario, ajuste los tornillos de éste último apretando y aflojándolos alternativamente hasta que la periferia del espejo principal esté centrado en su campo visual. NO afloje o apriete el tornillo central del soporte del espejo secundario, ya que éste mantiene la posición adecuada del espejo.

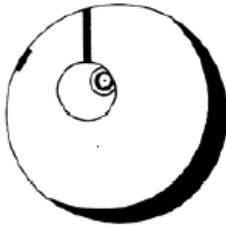
## Alineación del espejo principal

Ajuste ahora los tornillos del espejo principal para volver a centrar el reflejo del pequeño espejo secundario, de forma que su silueta aparezca en el principal. Al mirar dentro del mecanismo de enfoque, las siluetas de los espejos deberán ser concéntricas. Repita los pasos uno y dos hasta que haya conseguido esto.

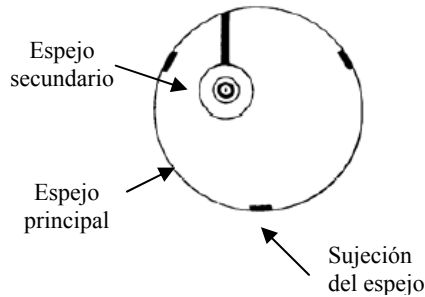
Retire la tapa de colimación y mire dentro del mecanismo de enfoque donde deberá ver el reflejo de sus ojos en el espejo secundario.

### Vistas de la colimación del telescopio newtoniano a través del mecanismo de enfoque al utilizar la tapa de colimación

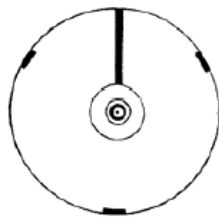
Hay que ajustar el espejo secundario.



Hay que ajustar el espejo principal.



Ambos espejos alineados con la tapa de colimación en el mecanismo de enfoque.



Ambos espejos alineados con su ojo mirando en el mecanismo de enfoque.

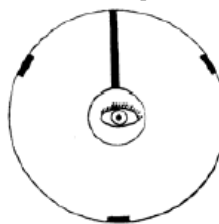


Figura 7-1 PowerSeeker 114EQ

## Colimación de estrellas por la noche

Después de haber finalizado con éxito la colimación de día, la colimación de estrellas por la noche puede realizarse ajustando el espejo principal mientras el tubo del telescopio está en su soporte y apunta a una estrella brillante. El telescopio deberá configurarse de noche y se deberá estudiar la imagen de una estrella a una potencia de media a alta (de 30 a 60 de potencia por pulgada de apertura). Si hay una formación asimétrica de enfoque, es posible que se pueda corregir volviendo a colimar sólo el espejo principal.

### Procedimiento (Lea esta sección completamente antes de comenzar):

Para colimar las estrellas en el hemisferio norte, apunte hacia una estrella estacionaria tal como la Polar (Polaris). Se puede encontrar en el norte del firmamento, a una distancia por encima del horizonte igual a la latitud donde usted se encuentra. También es la estrella en el extremo del mango del Carro Menor. Polaris no es la estrella que brilla más en el firmamento e incluso puede aparecer tenue dependiendo de las condiciones del cielo. Para el hemisferio sur, apunte a Sigma Octantis.

Antes de volver a colimar el espejo principal, localice los tornillos de colimación en la parte posterior del tubo del telescopio. El elemento posterior (que se muestra en la Figura 7-1) tiene tres tornillos grandes de alas (en algunos modelos no son tornillos de alas) que se utilizan para la colimación y tres pequeños para ajustar el espejo en su lugar. Los tornillos de colimación inclinan el espejo principal. Comenzará aflojando los tornillos pequeños de ajuste dando unas cuantas vueltas a cada uno. Normalmente, aflojándolos  $\frac{1}{8}$  de vuelta puede ser suficiente y  $\frac{1}{2}$  ó  $\frac{3}{4}$  de vuelta es lo máximo que se necesita para los tornillos grandes de colimación. Gire los tornillos de colimación de uno en uno y con una herramienta u ocular de colimación vea cómo la colimación es afectada (vea el siguiente párrafo). Deberá practicar esto varias veces pero al final podrá centrarlo de la forma que desea.

Es mejor utilizar la herramienta o el ocular de colimación. Mire en el mecanismo de enfoque y vea si el reflejo secundario se ha movido hacia el centro del espejo principal.

Con Polaris o una estrella brillante centrada con el campo visual, enfoque con el ocular estándar o con el de mayor potencia ocular, por ej.: la distancia focal más corta en mm, como unos 6 ó 4 mm. Otra opción es utilizar un ocular más largo de distancia focal con una lente Barlow. Cuando una estrella está enfocada deberá parecer como un punto bien definido de luz. Si el enfoque de una estrella es irregular en su forma o parece tener erupciones de luz en los bordes, esto significa que sus espejos no están alineados. Si parece haber una erupción de luz desde la estrella que permanece estable en su lugar, vuelva a colimar a medida que busca el enfoque exacto para conseguir una imagen clara.

Cuando quede satisfecho con la colimación, apriete los tornillos pequeños de ajuste.



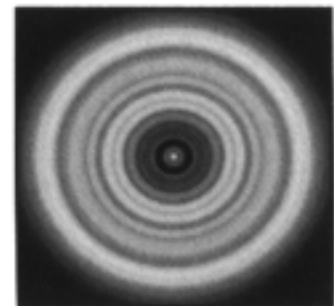
**Figura 7-2**

Aunque la formación estelar aparece igual en ambos lados del tubo, son en realidad asimétricas. La obstrucción oscura aparece a la izquierda de la formación de difracción, lo que indica insuficiencia de colimación.

Anote la dirección donde la luz parece brillar. Por ejemplo, si la luz parece brillar en la posición de las 3 en un reloj en el campo visual, entonces deberá mover el tornillo o una combinación de tornillos de colimación según sea necesario para mover la imagen de la estrella hacia la dirección del brote de luz. En este ejemplo, quizás deba mover la imagen de la estrella en su ocular ajustando los tornillos de colimación, hacia la posición de las 3 en un reloj en el campo visual. Es posible que sólo sea necesario ajustar un tornillo lo suficiente como para mover la imagen de la estrella desde el centro del campo visual hacia la mitad o menos del borde de dicho campo (al utilizar un ocular de gran potencia).

Los ajustes de la colimación se realizan mejor mientras se observa la posición de la estrella en el campo visual y girando los tornillos de ajuste simultáneamente. De esta forma podrá ver exactamente hacia que dirección ocurre el movimiento. Quizás necesite otra persona para que le ayude: una puede visualizar y dar instrucciones sobre el tornillo que hay que girar y cuánto hay que girarlo, mientras que la otra persona hace los ajustes necesarios.

**IMPORTANTE:** Después de hacer el primer ajuste o cada uno de ellos, es necesario volver a ajustar el tubo del telescopio para centrar de nuevo la estrella en el campo visual. Se puede entonces determinar la simetría de la imagen de la estrella enfocando y desenfocando y observando la forma de la misma. Se verá una mejora al realizarse el ajuste apropiado. Como hay tres tornillos, habrá que mover por lo menos dos de ellos para conseguir el movimiento necesario del espejo.



**Figura 7-3**

Un telescopio colimado aparecerá como una formación simétrica en forma de aro similar al disco de difracción que se ve aquí.



# **CELESTRON** **Accesorios opcionales**

Usted va a descubrir que los accesorios adicionales de su telescopio PowerSeeker mejoran su observación y expanden la utilidad del mismo. Ésta es sólo una corta lista de los diferentes accesorios con una breve descripción de los mismos. Visite el sitio Web de Celestron o su catálogo de accesorios para obtener las descripciones completas de los accesorios disponibles.

**Mapas de cuerpos celestes (N° 93722):** Los mapas de cuerpos celestes de Celestron son la guía educativa ideal para aprender sobre el cielo nocturno. Aunque ya se sienta conocedor de las constelaciones principales, estos mapas le pueden ayudar a ubicar todo tipo de objetos fascinantes.



**Oculares Omni Ploss:** Estos oculares tienen un precio económico y ofrecen vistas extremadamente nítidas de todo el campo visual. Hay un diseño de lente de 4 elementos con las siguientes distancias focales: 4 mm, 6 mm, 9 mm, 12,5 mm, 15 mm, 20 mm, 25 mm, 32 mm y 40 mm; todos en tambores de 3,18 cm (1,25 pulg.).

**Lente Omni Barlow (N° 93326):** Se utiliza con cualquier ocular y duplica el aumento del mismo. Una lente Barlow es una lente negativa que aumenta la distancia focal de un telescopio. El Omni 2x es un tambor de 3,18 cm (1,25 pulg.), mide menos de 76 mm (3 pulg.) de largo y pesa sólo 113gr (4 onzas).

**Filtro lunar (N° 94119-A):** Este es un económico filtro ocular de 3,18 cm (1,25 pulg.) que se usa para reducir la luminosidad de la luna y mejorar el contraste, de manera que se puedan observar más detalles en la superficie lunar.



**Filtro UHC/LPR de 3,18 cm (1,25 pulg.) (N° 94123):** Este filtro está diseñado para mejorar las observaciones de objetos astronómicos en el espacio profundo desde zonas urbanas. Reduce selectivamente la transmisión de ciertas longitudes de onda de luz, especialmente aquellas producidas por las luces artificiales.

**Linterna, visión nocturna (N° 93588):** La linterna de Celestron utiliza dos LED rojos para preservar la visión nocturna mejor que los filtros rojos u otros dispositivos. Se puede ajustar el brillo. Funciona con una sola pila incluida de 9 voltios.

**Herramienta de colimación (N° 94183):** La colimación de su telescopio newtoniano es fácil con este accesorio; se incluyen las instrucciones detalladas de uso.

**Ocular de colimación de 3,18 cm (1,25 pulgadas) (N° 94182):** El ocular de colimación es ideal para realizar una colimación exacta de los telescopios newtonianos.

**Adaptador de cámara digital, universal (N° 93626):** Una plataforma de montaje universal que le permite hacer fotografías afocales (fotos a través del ocular de un telescopio) utilizando oculares de 3,18 cm (1,25 pulg.) con su cámara digital.



**Adaptador en T, universal de 3,18 cm (1,25 pulg.) (N° 93625):** Este adaptador encaja en el mecanismo de enfoque de 3,18 cm (1,25 pulg.) de su telescopio. Le permite colocar su cámara SLR de 35 mm para fotografiar objetos terrestres o planetarios.

**Motor impulsor (N° 93514):** Un motor impulsor de un sólo eje (A.R.) para los telescopios PowerSeeker compensa por la rotación de la tierra y mantiene el cuerpo celeste en el campo visual del ocular. Esto hace más agradable la observación y elimina el uso constante de los controles manuales del movimiento lento.

<b>ESPECIFICACIONES DEL POWERSEEKER</b>					
<b>Número del modelo</b>	<b>21043</b>	<b>21037</b>	<b>21048</b>	<b>21045</b>	<b>21049</b>
<b>Descripción</b>	<b>PS 60EQ</b>	<b>PS 70EQ</b>	<b>PS 80EQ</b>	<b>PS 114EQ</b>	<b>PS 127EQ</b>
Diseño óptico	Refractor	Refractor	Refractor	Newtoniano	Newtoniano
Apertura	60 mm (2,4 pulg.)	70 mm (2,8 pulg.)	80 mm (3,1 pulg.)	114 mm (4,5 pulg.)	127 mm (5 pulg.)
Distancia focal	900mm (25 pulg.)	700 mm (25 pulg.)	900 mm (25 pulg.)	900 mm (25 pulg.)	1.000 mm (25 pulg.)
Radio focal	f/15	f/10	f/11	f/8	f/8
Recubrimiento óptico	Totalmente recubierto	Totalmente recubierto	Totalmente recubierto	Totalmente recubierto	Totalmente recubierto
Telescopio buscador	5x24	5x24	5x24	5x24	5x24
Lente a 90°, 3,18 cm (1,25 pulg.)	Imagen directa	Imagen directa	Imagen directa	N/D	N/D
Oculares, 3,18 cm (1,25 pulg.)	20 mm (45x)	20 mm (35x)	20 mm (45x)	20 mm directa	20 mm directa
				Image (45x)	Imagen (50x)
	4 mm (225x)	4 mm (175x)	4 mm (225x)	4 mm (225x)	4 mm (250x)
Lente Barlow 3,18 cm (1,25 pulg.) 3x	Sí	Sí	Sí	Sí	Sí
Campo visual angular con ocular estándar de 20 mm	1,1°	1,4°	1,1°	1,1°	1,0°
Campo visual lineal con ocular de 20 mm (pies/1.000 yardas)	58	74	58	58	53
Soporte	Ecuatorial	Ecuatorial	Ecuatorial	Ecuatorial	Ecuatorial
Calibradores de fijación AR y DEC.	Sí	Sí	Sí	Sí	Sí
Cables de movimiento lento AR y DEC.	Sí	Sí	Sí	Sí	Sí
CD-ROM del "The Sky", Nivel 1	Sí	Sí	Sí	Sí	Sí
Máximo aumento útil	142x	165x	189x	269x	300x
Limitación del aumento estelar	11,4	11,7	12	12,8	13
Resolución, Raleigh (segundos de arco)	2,31	1,98	1,73	1,21	1,09
Resolución, límite Dawes " "	1,93	1,66	1,45	1,02	0,91
Potencia de absorción de luz	73x	100x	131x	265x	329x
Contrapeso: peso aproximado	0,91 kg (2 libras)	1,81 kg (4 libras)	1,81 kg (4 libras)	2,72 kg (6 libras)	3,4 kg (7,5 libras)
Longitud del tubo óptico	97 cm (38 pulg.)	76 cm (30 pulg.)	94 cm (37 pulg.)	89 cm (35 pulg.)	46 cm (18 pulg.)
Peso del telescopio	6,4 kg (14 libras)	6,4 kg (14 libras)	8,2 kg (18 libras)	8,6 kg (19 libras)	10 kg (22 libras)
<b>Nota: Las especificaciones pueden cambiar sin notificación u obligación</b>					



## **Télescopes série PowerSeeker®**

### **GUIDE DE L'UTILISATEUR**

- PowerSeeker 60EQ n° 21043 • PowerSeeker 70EQ n° 21037
- PowerSeeker 80EQ n° 21048 • PowerSeeker 114EQ n° 21045
- PowerSeeker 127EQ n° 21049

# Table des matières

INTRODUCTION .....	3
ASSEMBLAGE .....	6
Installation du trépied .....	6
Fixation de la monture équatoriale.....	7
Installation de la tige de réglage et des contrepoids.....	7
Fixation des câbles de contrôle lent .....	8
Fixation du tube du télescope sur la monture.....	8
Installation du renvoi à 90° et des oculaires (lunette) .....	9
Installation des oculaires sur les newtoniens .....	9
Installation du chercheur.....	10
Alignement du chercheur.....	10
Installation et utilisation des lentilles de Barlow .....	10
Déplacement manuel du télescope.....	11
Équilibrage de la monture en ascension droite .....	11
Équilibrage de la monture en déclinaison .....	11
Réglage de la monture équatoriale.....	12
Réglage de la monture en altitude.....	12
NOTIONS FONDAMENTALES SUR LES TÉLESCOPES .....	13
Orientation de l'image .....	14
Mise au point .....	14
Calcul du grossissement.....	14
Établissement du champ de vision.....	15
Conseils généraux d'observation .....	15
NOTIONS FONDAMENTALES D'ASTRONOMIE .....	16
Le système de coordonnées célestes .....	16
Mouvement des étoiles .....	16
Alignement polaire avec l'échelle des latitudes.....	17
Pointage sur l'étoile Polaire.....	18
Recherche du pôle nord céleste.....	18
Alignement polaire dans l'hémisphère sud.....	19
Alignement des cercles gradués.....	21
Motorisation.....	22
OBSERVATION CÉLESTE .....	23
Observation de la Lune .....	23
Observation des planètes .....	23
Observation du Soleil.....	23
Observation d'objets du ciel profond.....	24
Conditions de visibilité .....	24
ASTROPHOTOGRAPHY .....	25
Photographie au foyer primaire et courte exposition .....	25
Photographie « Piggyback » (fixation de l'appareil sur le télescope).....	25
Photographie planétaire et lunaire avec imageurs spéciaux.....	25
Imagerie CCD pour les objets du ciel profond.....	25
Photographie terrestre.....	25
ENTRETIEN DU TÉLESCOPE.....	26
Entretien et nettoyage des éléments optiques.....	26
Collimation d'un télescope newtonien.....	26
ACCESSOIRES EN OPTION.....	29
SPÉCIFICATIONS DU POWERSEEKER.....	30



Nous vous félicitons d'avoir fait l'acquisition d'un télescope PowerSeeker ! Les télescopes de la série PowerSeeker se déclinent en plusieurs modèles et ce guide traite de cinq modèles différents placés sur monture équatoriale allemande --- lunette 60 mm, lunette 70 mm, lunette 80 mm, newtonien 114 mm et newtonien 127 mm. La série PowerSeeker est fabriquée à partir de matériaux de qualité supérieure qui en assurent la stabilité et la durabilité. Tous ces font de ce télescope un instrument capable de vous donner une vie entière de satisfaction avec un entretien minimum.

La conception même de ces instruments est telle que l'acquéreur d'un premier télescope bénéficie ici d'un produit exceptionnel. La série PowerSeeker se distingue par un design compact et portable ainsi qu'une importante performance optique destinée à encourager tout nouvel arrivant dans l'univers des astronomes amateurs.

Les télescopes PowerSeeker bénéficient d'une **garantie limitée de deux ans**. Pour de plus amples informations, consultez notre site web sur [www.celestron.com](http://www.celestron.com)

Voici quelques-unes des nombreuses caractéristiques du PowerSeeker :

- Tous les éléments optiques sont en verre traité afin d'obtenir des images claires et nettes.
- Monture équatoriale rigide se manœuvrant aisément avec cercles gradués sur les deux axes.
- Trépied pré-monté en aluminium assurant une plate-forme stable.
- Installation rapide et simple sans outils.
- CD-ROM « The Sky » Niveau 1 --- logiciel d'astronomie offrant des informations sur le ciel avec cartes du ciel imprimables.
- Tous les modèles peuvent être utilisés terrestriellement ou astronomiquement avec les accessoires standard livrés avec.

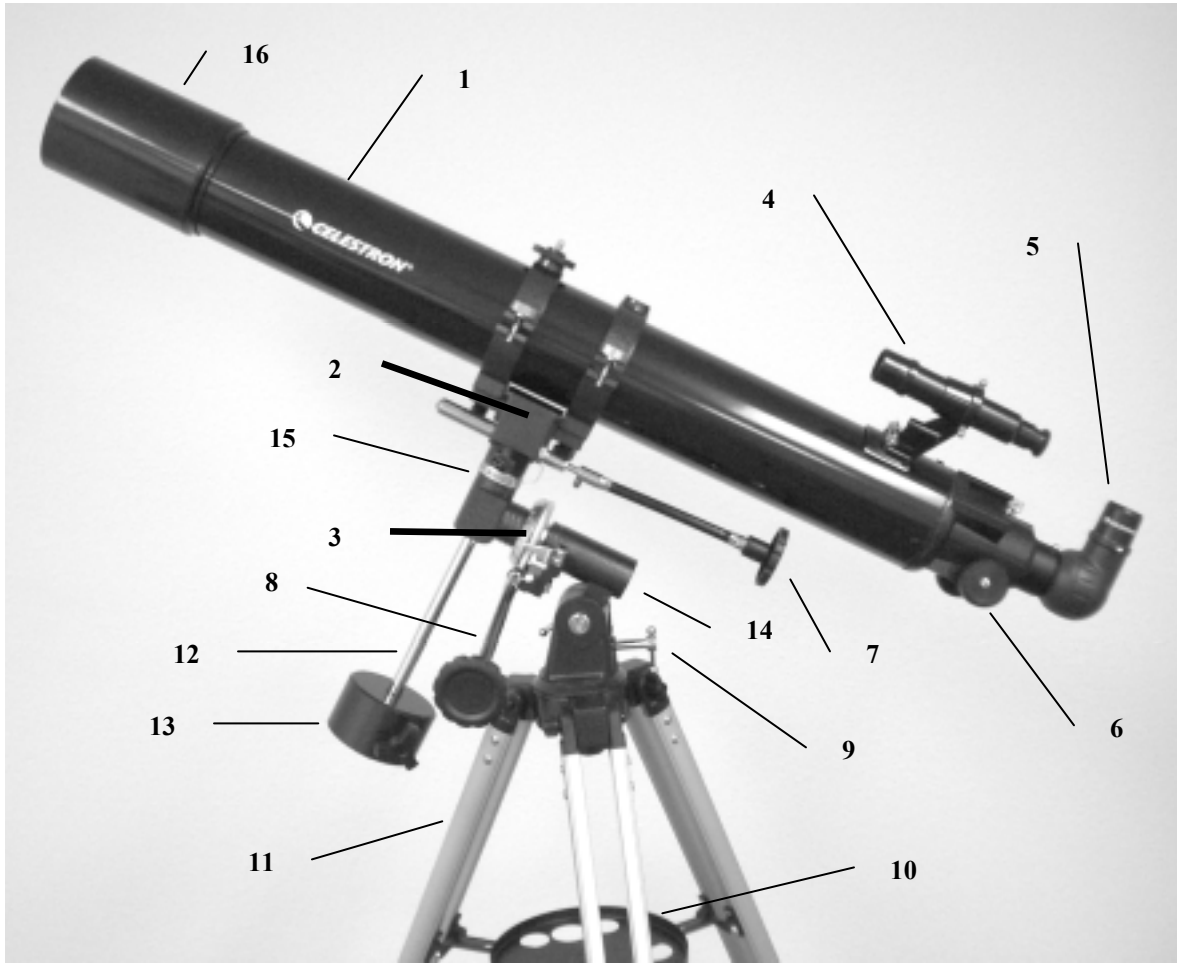
Prenez le temps de lire ce guide avant de vous lancer dans l'exploration de l'Univers. Dans la mesure où vous aurez probablement besoin de plusieurs séances d'observation pour vous familiariser avec votre télescope, gardez ce guide à portée de main jusqu'à ce que vous en maîtrisiez parfaitement le fonctionnement. Le guide fournit des renseignements détaillés sur chacune des étapes, ainsi qu'une documentation de référence et des conseils utiles qui rendront vos observations aussi simples et agréables que possible.

Votre télescope a été conçu pour vous procurer des années de plaisir et d'observations enrichissantes. Cependant, avant de commencer à l'utiliser, il vous faut prendre en compte certaines considérations destinées à assurer votre sécurité tout comme à protéger votre matériel.

### Avertissement

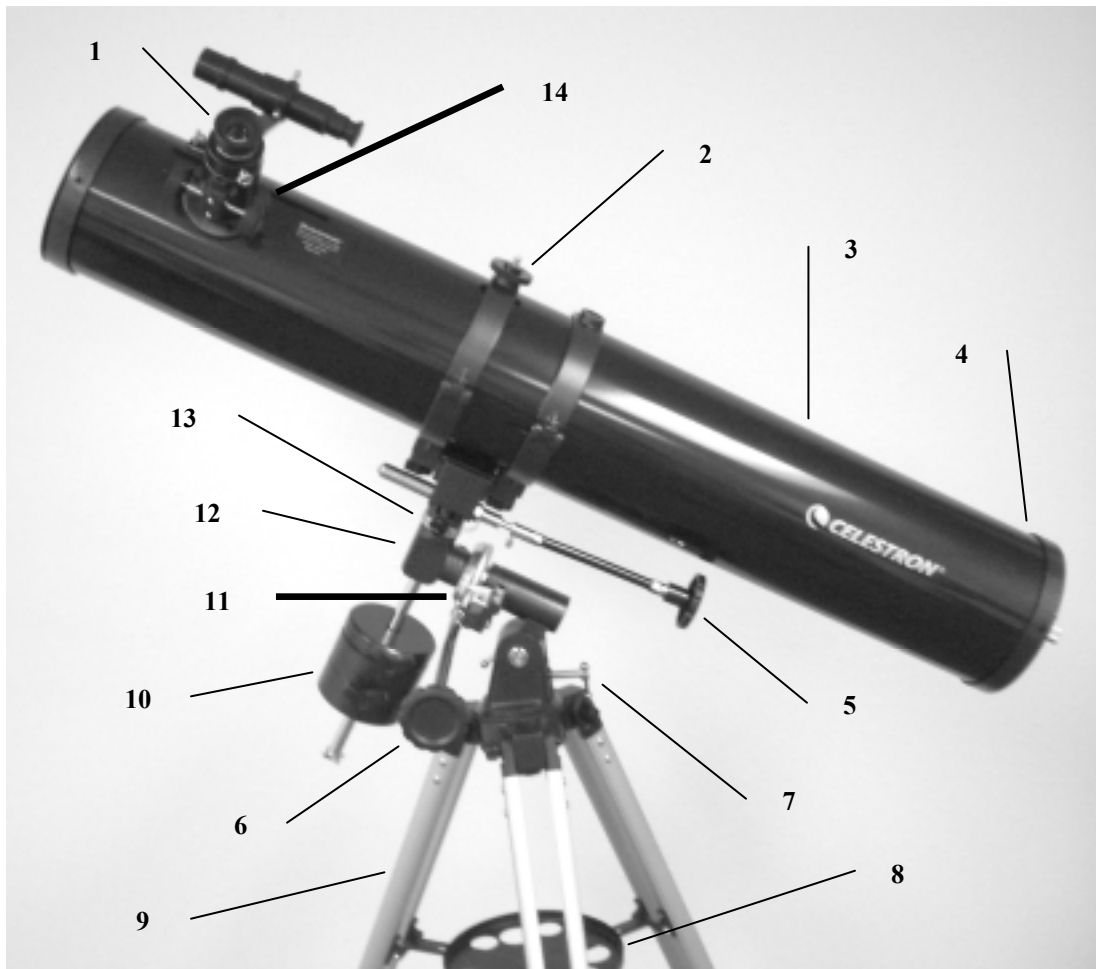


- **Ne regardez jamais directement le Soleil à l'œil nu ou avec un télescope (sauf s'il est équipé d'un filtre solaire adapté). Des lésions oculaires permanentes et irréversibles risqueraient de survenir.**
- **N'utilisez jamais votre télescope pour projeter une image du Soleil sur une surface quelconque. L'accumulation de chaleur à l'intérieur peut endommager le télescope et tout accessoire fixé sur celui-ci.**
- **N'utilisez jamais le filtre solaire d'un oculaire ou une cale de Herschel. En raison de l'accumulation de chaleur à l'intérieur du télescope, ces dispositifs peuvent se fissurer ou se casser et laisser la lumière du Soleil non filtrée atteindre les yeux.**
- **Ne laissez jamais le télescope seul en présence d'enfants ou d'adultes qui n'en connaissent pas forcément les procédures de fonctionnement habituelles.**



**Figure 1-1 Lunette astronomique PowerSeeker 80EQ  
 Similaire au PowerSeeker 60EQ et au PowerSeeker 70EQ**

1.	Tube optique du télescope	9.	Vis de réglage de la latitude
2.	Support de montage avec bagues pour tube	10.	Tablette à accessoires du trépied
3.	Cercle gradué d'A.D.	11.	Trépied
4.	Chercheur	12.	Tige de réglage
5.	Oculaire et renvoi à 90°	13.	Contrepoids
6.	Bouton de mise au point	14.	Monture équatoriale
7.	Câble de contrôle lent de déclinaison	15.	Cercle gradué de déclinaison
8.	Câble de contrôle lent d'A.D.	16.	Objectif



**Figure 1-2 Newtonien PowerSeeker 114EQ  
 Similaire au newtonien PowerSeeker 127EQ**

1.	Oculaire	8.	Tablette à accessoires du trépied
2.	Bague du tube du télescope	9.	Trépied
3.	Tube optique du télescope	10.	Contrepoids
4.	Miroir primaire	11.	Cercle gradué d'A.D.
5.	Câble de contrôle lent de déclinaison	12.	Monture équatoriale
6.	Câble de contrôle lent d'A.D.	13.	Cercle gradué de déclinaison
7.	Vis de réglage de la latitude	14.	Bouton de mise au point

Ce chapitre explique comment assembler votre télescope PowerSeeker. Votre télescope devrait être monté à l'intérieur la première fois afin de pouvoir identifier facilement les différentes pièces et de vous familiariser avec la bonne procédure de montage avant de tenter de le faire à l'extérieur.

Chaque PowerSeeker est livré dans un carton. Le carton contient les pièces suivantes : tube optique, bagues pour tube (sauf pour le 60EQ), monture équatoriale allemande, tige de réglage, un ou deux contrepoids, câbles de contrôle lent A.D. et Déc., oculaire de 4 mm – 1,25 po (31 mm), oculaire de 20 mm – 1,25 po (31 mm) (redresseur d'images pour le 114EQ et 127EQ), renvoi à 90° redresseur d'images 1,25 po (31 mm) (pour le 60EQ, 70EQ et 80EQ), lentille de Barlow 3x 1,25 po (31 mm), CD-ROM "The Sky" Niveau 1.

## ***Installation du trépied***

1. Retirez le trépied du carton (Figure 2-1). Le trépied est livré pré-monté afin d'en faciliter l'installation.
2. Mettez le trépied debout et écartez chacun des pieds jusqu'à ce qu'ils soient en pleine extension, puis appuyez légèrement sur le support central du trépied (Figure 2-2). La partie supérieure du trépied se nomme la tête du trépied.
3. Ensuite, vous installerez la tablette à accessoires du trépied (Figure 2-3) sur le support central du trépied (centre de la Figure 2-2).
4. Une vis est fixée sous la tablette à accessoires, au centre. Cette vis se fixe dans l'orifice fileté situé au centre du support central du trépied en la tournant dans le sens inverse des aiguilles d'une montre - remarque : Tirez légèrement sur le support central du trépied pour pouvoir le fixer facilement. Continuez à tourner manuellement la tablette jusqu'à ce qu'elle soit bien serrée – veillez à ne pas forcer.



**Figure 2-1**



**Figure 2-2**

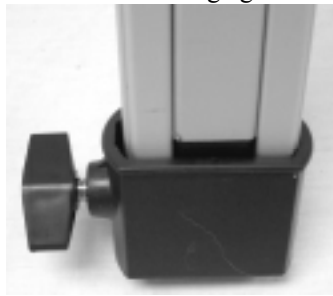


**Figure 2-3**

5. Le trépied est maintenant monté (Figure 2-4).
6. Vous pouvez régler les pieds télescopiques du trépied à la hauteur souhaitée. La hauteur la plus basse est de 66 cm (26 po) et la plus haute de 119 cm (47 po). Déverrouillez les boutons de blocage à la base de chacun des pieds du trépied (Figure 2-5) en les tournant dans le sens inverse des aiguilles d'une montre et déployez les pieds à hauteur voulue, puis resserrez fermement les boutons. La Figure 2-6 donne une illustration d'un trépied en pleine extension.
7. Le trépied offrira une plus grande rigidité et stabilité aux réglages de hauteur les plus bas.



**Figure 2-4**



**Figure 2-5**



**Figure 2-6**



## Fixation de la monture équatoriale

La monture équatoriale vous permet d'incliner l'axe de rotation des télescopes pour vous permettre de suivre les étoiles lorsqu'elles se déplacent dans le ciel. La monture du PowerSeeker est une monture équatoriale allemande qui se fixe sur la tête du trépied. Pour fixer la monture :

1. Retirez la monture équatoriale du carton (Figure 2-8). Cette monture est équipée d'une vis de réglage de la latitude fixée dessus (Figure 2-27). La vis de réglage de la latitude est prévue pour l'orifice fileté de la monture, comme illustré en Figure 2-10.
2. La monture se fixe sur la tête du trépied, plus précisément sur le bouton muni d'un boulon situé sous la tête du trépied (Figure 2-7). Enfoncez la monture (partie plane d'où ressort un petit tube) dans l'orifice central de la tête du trépied jusqu'à ce qu'elle soit alignée et tenez la bien. Ensuite, passez l'autre main sous la tête du trépied et tournez le bouton dans le sens inverse des aiguilles d'une montre, pour le visser dans la partie inférieure de la monture. Continuez à tourner le bouton jusqu'en fin de course. Le montage complet de la monture sur le trépied est illustré en Figure 2-9.



Figure 2-7



Figure 2-8



Figure 2-9



Figure 2-10

## Installation de la tige de réglage et des contrepoids

Afin de bien équilibrer le télescope, la monture est livrée avec une tige de réglage et un ou deux contrepoids (selon votre modèle). Pour les installer :

1. Retirez la vis de sûreté pour contrepoids de la tige de réglage (à l'extrémité opposée de la partie filetée de la tige) en la dévissant dans le sens inverse des aiguilles d'une montre – voir Figure 2-11.
2. Introduisez le gros filetage de la barre de réglage dans l'orifice fileté de l'axe de déclinaison de la monture et vissez fermement dans le sens des aiguilles d'une montre -- voir Figure 2-12. Vous pouvez alors installer le ou les contrepoids.
3. Orientez la monture de manière à ce que la tige de réglage soit inclinée vers le sol.
4. Desserrez le bouton de blocage situé sur le côté du contrepoids pour éviter de laisser les filetages dépasser dans l'orifice central du contrepoids.
5. Glissez le contrepoids sur la tige de réglage jusqu'à mi-course, puis serrez fermement le bouton de blocage. La Figure 2-13 illustre la bonne orientation du poids.
6. Glissez le second contrepoids (si votre modèle en est équipé) sur la barre de réglage en le positionnant à niveau et contre le premier, puis vissez fermement.
7. Remettez la vis de sûreté et serrez-la fermement. Le montage définitif est illustré en Figure 2-13.



Figure 2-11



Figure 2-12



Figure 2-13

## Fixation des câbles de contrôle lent

La monture du PowerSeeker est livrée avec deux câbles de contrôle lent vous permettant de réaliser des réglages précis de l'ascension droite et de la déclinaison sur le télescope. Pour installer les câbles :

1. Prenez les deux câbles équipés de boutons. Le plus long des deux est pour l'axe d'ascension droite. Vérifiez que la vis située sur chacun des câbles ne dépasse pas dans l'ouverture.
2. Glissez le câble sur la tige d'ascension droite (voir Figure 2-14) de manière à ce que la vis s'emboîte sur la gorge de la tige d'ascension droite. Il existe deux tiges d'ascension droite, une de chaque côté de la monture. Peu importe quelle tige vous utilisez étant donné que leur fonctionnement est identique (sauf avec une motorisation). Choisissez celle qui vous convient le mieux.
3. Serrez la vis sur le câble d'ascension droite pour le maintenir fermement en position.
4. Le câble de contrôle lent de déclinaison s'installe de la même manière que le câble d'ascension droite. La tige sur laquelle s'adapte le bouton de contrôle lent de déclinaison est située sur la partie supérieure de la monture, juste sous la plate-forme de fixation du télescope.



**Figure 2-14**

Tige d'ascension droite sous le cercle gradué d'ascension droite. Tige de déclinaison au-dessus du cercle gradué de déclinaison



**Figure 2-15**

Câbles A.D. et de déc. fixés

## Fixation du tube du télescope sur la monture

Le tube optique du télescope se fixe sur la monture équatoriale à l'aide des bagues pour tube (sauf sur le 60EQ) qui le maintiennent au support de montage, sur la partie supérieure de la monture (Figure 2-16). Sur la lunette 60EQ, le tube se monte directement sur le support de montage avec les goujons prisonniers fixés au tube optique. **Avant de fixer le tube optique, vérifiez que les boutons de blocage de la déclinaison et de l'ascension droite sont bien serrés (Figure 2-24). Vérifiez ensuite que la vis de réglage de la latitude et le boulon de blocage de la latitude (Figure 2-27) sont également bloqués.** Cette précaution évitera tout déplacement soudain de la monture en installant le tube optique du télescope. Retirez également le cache de l'objectif (lunette) ou le cache de l'ouverture frontale (newtonien). Pour fixer le tube du télescope :

1. Retirez le papier protecteur qui recouvre le tube optique. Il sera nécessaire de retirer les bagues du tube (Figure 2-16) pour pouvoir enlever le papier.
2. Retirez les boutons des montants filetés sur la partie inférieure des bagues du tube (Figure 2-16).
3. Ensuite, insérez les montants dans les orifices situés sur la partie supérieure de la plate-forme de montage (Figure 2-17), remettez les boutons en place et serrez de manière à ce qu'ils correspondent à l'illustration donnée en Figure 2-18.
4. Ouvrez les bagues du tube (desserrez les gros boutons chromés) afin de pouvoir installer le tube optique.
5. Soutenez délicatement le tube optique d'une main, centrez les bagues du tube, refermez-les puis verrouillez et serrez les boutons moletés des bagues comme illustré en Figure 2-19.
6. Sachez que vous pouvez aussi mettre les bagues en place sur le tube optique avant de le raccorder à la plate-forme de montage sur la monture équatoriale si vous le souhaitez.

**REMARQUE :** Ne jamais desserrer l'un des boutons du tube du télescope ou de la monture autre que les boutons d'ascension droite et de déclinaison.

**Conseil utile :** Pour une rigidité maximum du télescope et de la monture, vérifiez que les boutons/vis qui maintiennent les pieds du trépied à la tête du trépied sont bien serrés.



Figure 2-16

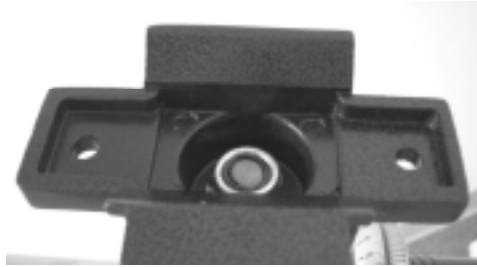


Figure 2-17



Figure 2-18



Figure 2-19

### ***Installation du renvoi à 90° et des oculaires (lunette)***

Le renvoi à 90° est un prisme qui dévie la lumière perpendiculairement à la trajectoire de la lumière émanant de la lunette. Ceci permet une position d'observation plus confortable que si vous deviez regarder directement à l'intérieur du tube. Ce renvoi à 90° est un redresseur d'images qui corrige l'image en la remettant debout et correctement orientée de gauche à droite, ce qui a l'avantage de faciliter l'observation d'objets terrestres. De plus, le renvoi à 90° peut être tourné sur la position qui vous convient le mieux. Pour installer le renvoi à 90° et les oculaires :

1. Insérez le petit barillet du renvoi à 90° dans l'adaptateur d'oculaire de 1,25 po (31 mm) sur le tube de mise au point du réfracteur – Figure 2-20. Vérifiez que les deux vis moletées de l'adaptateur d'oculaire ne dépassent pas dans le tube de mise au point avant l'installation et que le cache a bien été retiré de l'adaptateur d'oculaire.
2. Insérez l'extrémité du barillet chromé de l'un des oculaires dans le renvoi à 90° et serrez la vis moletée. Cette fois encore, veillez à ce que la vis moletée ne dépasse pas dans le renvoi à 90° avant d'insérer l'oculaire.
3. Il est possible de modifier les distances focales des oculaires en inversant la procédure décrite ci-dessus à l'étape 2.



Figure 2-20

### ***Installation des oculaires sur les newtoniens***

L'oculaire est l'élément optique qui grossit l'image focalisée par le télescope. Sans l'oculaire, il serait impossible d'utiliser le télescope visuellement. Les oculaires sont souvent désignés par leur distance focale et le diamètre de leur barillet. La distance focale est inversement proportionnelle à la puissance de l'oculaire : plus celle-ci est importante (c-à-d, plus le chiffre est élevé), moins le grossissement de l'oculaire (c-à-d. la puissance) l'est. Généralement, vous utiliserez une puissance de grossissement variant de faible à modérée lors de vos séances d'observation. Pour de plus amples informations sur la manière de régler le grossissement, consultez le chapitre intitulé « Calcul du grossissement ». L'oculaire s'adapte directement sur le dispositif de mise au point des newtoniens. Pour fixer les oculaires :

1. Vérifiez que les vis moletées ne dépassent pas dans le tube du dispositif de mise au point. Insérez ensuite le barillet chromé des oculaires dans le tube du dispositif de mise au point (retirez le capuchon du dispositif de mise au point en premier) et serrez les vis moletées – voir Figure 2-21.
2. L'oculaire de 20 mm s'appelle un oculaire redresseur étant donné qu'il corrige l'image afin qu'elle soit debout et correctement orientée de gauche à droite. Cette fonction permet d'utiliser le télescope pour des observations terrestres.
3. Il est possible de changer les oculaires en inversant la procédure décrite ci-dessus.



Figure 2-21

## Installation du chercheur

Pour installer le chercheur :

1. Prenez le chercheur (qui est installé dans le support du chercheur) – voir Figures 1-1 et 1-2.
2. Retirez les écrous moletés situés sur les montants filetés du tube optique – voir Figure 2-22.
3. Montez le support du chercheur en le plaçant sur les montants qui dépassent du tube optique, puis tout en le maintenant en place, enfitez les écrous moletés et serrez-les – veillez à ce que le chercheur soit orienté de manière à ce que le plus gros diamètre de la lentille soit orienté sur l'avant du tube optique.
4. Retirez les caches de la lentille des deux extrémités du chercheur.



Figure 2-22

## Alignement du chercheur

Procédez comme suit pour aligner le chercheur :

1. Repérez en plein jour un objet éloigné et centrez-le dans l'un des oculaires de faible puissance (20 mm) du télescope principal.
2. Regardez dans le chercheur (l'extrémité oculaire du chercheur) et notez la position de ce même objet.
3. Sans déplacer le télescope principal, tournez les vis de réglage moletées situées autour du support de chercheur jusqu'à ce que le réticule (les fils croisés) du chercheur soit centré sur l'objet choisi avec le télescope principal.

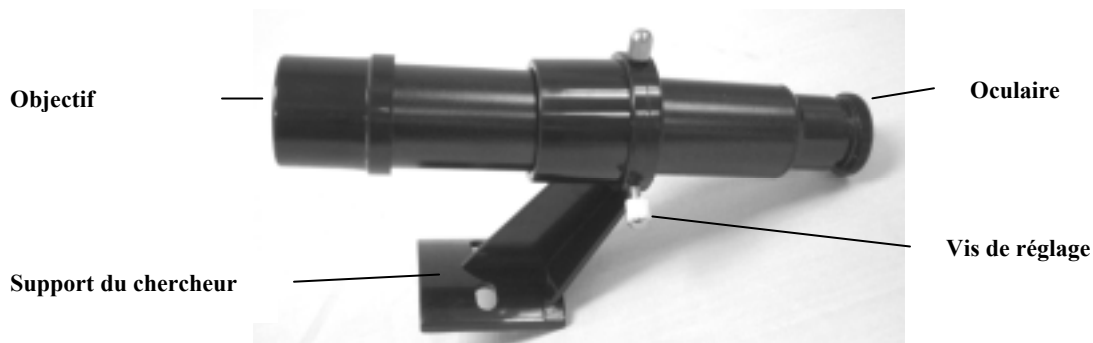


Figure 2-22a Chercheur avec support

## Installation et utilisation des lentilles de Barlow

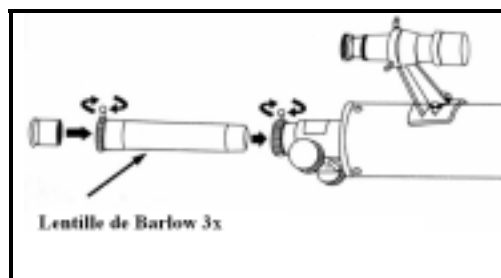


Figure 2-23

Votre télescope est équipé également d'une lentille de Barlow 3x qui triple la puissance de grossissement de chaque oculaire. Néanmoins, réservez l'utilisation d'images à grossissement important à des conditions d'observation idéales – voir le chapitre intitulé « Calcul du grossissement » de ce guide.

Pour utiliser la lentille de Barlow avec une lunette, retirez le renvoi à 90° et insérez la lentille de Barlow directement dans le dispositif de mise au point. Insérez ensuite un oculaire dans la lentille de Barlow avant toute observation. Vous pouvez aussi insérer le renvoi à 90° dans la lentille de Barlow et utiliser un oculaire dans le renvoi, mais vous ne parviendrez peut-être pas à obtenir une mise au point nette avec tous les oculaires.

Sur les télescopes newtoniens, insérez directement la lentille de Barlow dans le dispositif de mise au point. Insérez ensuite un oculaire dans la lentille de Barlow.

**Remarque :** Commencez par utiliser un oculaire de faible puissance pour parvenir plus facilement à effectuer une mise au point.

Grossissement de la lentille de Barlow 3x					
	60EQ	70EQ	80EQ	114EQ	127EQ
Avec oculaire 20 mm	135x	105x	135x	135x	150x
Avec oculaire 4 mm	675x	525x	675x	675x	450x

## Déplacement manuel du télescope



**Figure 2-24**

Bouton de blocage de déclinaison sur la partie supérieur du cercle de déclinaison et bouton de blocage de l'ascension droite sur la partie supérieure du cercle d'ascension droite

Afin de bien utiliser votre télescope, il vous faudra le déplacer manuellement vers plusieurs régions du ciel pour observer différents objets. Pour effectuer des réglages approximatifs, desserrez les boutons de blocage de l'ascension droite et de déclinaison et déplacez le télescope dans la direction choisie. Pour procéder à des réglages précis, une fois les boutons verrouillés, tournez les câbles de contrôle lent.

L'axe d'ascension droite et l'axe de déclinaison sont équipés de boutons de blocage pour débrayer chacun des axes du télescope. Pour libérer les embrayages du télescope, desserrez les boutons de blocage.

## Équilibrage de la monture en ascension droite

Pour éliminer toute contrainte inutile sur la monture, il est nécessaire d'équilibrer correctement le télescope sur l'axe polaire. De plus, un équilibrage adéquat est indispensable pour des recherches précises si l'on utilise une motorisation optionnelle. Pour équilibrer la monture :

1. Desserrez le bouton de blocage de l'ascension droite (voir Figure 2-24) et positionnez le télescope d'un côté de la monture (vérifiez que la molette de montage de la platine pour queue d'aronde est bien serrée). La tige de réglage sera déployée horizontalement du côté opposé à la monture (voir Figure 2-25).
2. Relâchez le télescope — **GRADUELLEMENT** — pour voir de quel côté il "roule" ou part.
3. Desserrez le bouton de blocage du contrepoids situé sur le ou les contrepoids (un par un si vous avez deux contrepoids) tout en maintenant les contrepoids et en les relâchant en douceur.
4. Déplacez le contrepoids jusqu'au point où il équilibre le télescope (autrement dit, où il reste stationnaire une fois le bouton de blocage de l'ascension droite desserré).
5. Serrez les boutons de blocage pour maintenir les contrepoids en position.

## Équilibrage de la monture en déclinaison

Le télescope doit aussi être équilibré sur l'axe de déclinaison pour éviter tout déplacement soudain lorsque le bouton de blocage de la déclinaison (Fig. 2-24) est desserré. Pour équilibrer le télescope en déclinaison :

1. Desserrez le bouton de blocage d'ascension droite et tournez le télescope afin qu'il soit placé d'un côté de la monture (c-à-d, en suivant la description dans la section précédente pour l'équilibrage du télescope en ascension droite).
2. Serrez fermement le bouton de blocage de l'ascension droite pour maintenir le télescope en position.
3. Desserrez le bouton de blocage de la déclinaison et tournez le télescope jusqu'à ce que le tube soit parallèle au sol (Figure 2-26).
4. Relâchez le tube — **GRADUELLEMENT** — pour voir de quel côté il tourne autour de l'axe de déclinaison. **NE PAS LÂCHER COMPLÈTEMENT LE TUBE DU TÉLESCOPE !**
5. Pour les modèles 70EQ, 80EQ, 114EQ, et 127EQ --- tout en soutenant le tube optique d'une main, desserrez les vis moletées qui maintiennent le tube du télescope dans les bagues du tube et glissez le télescope sur l'avant ou l'arrière jusqu'à ce qu'il reste stationnaire lorsque le bouton de blocage de la déclinaison est relâché. Aucun réglage n'est nécessaire sur le 60EQ car il est fixé en place sur le support de montage de la monture.
6. Serrez les vis de la bague du tube afin de maintenir fermement le télescope en position.

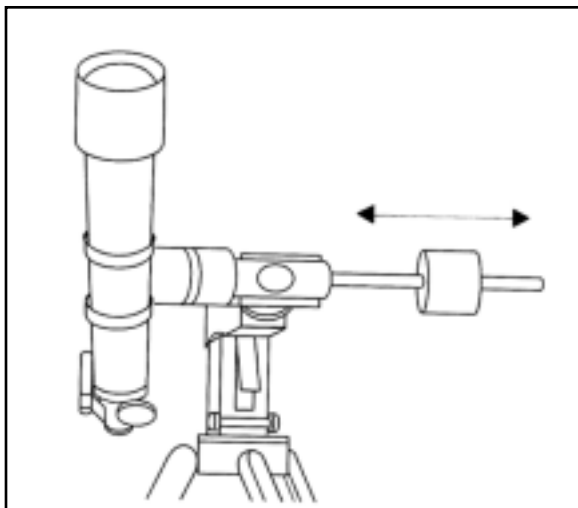


Figure 2-25

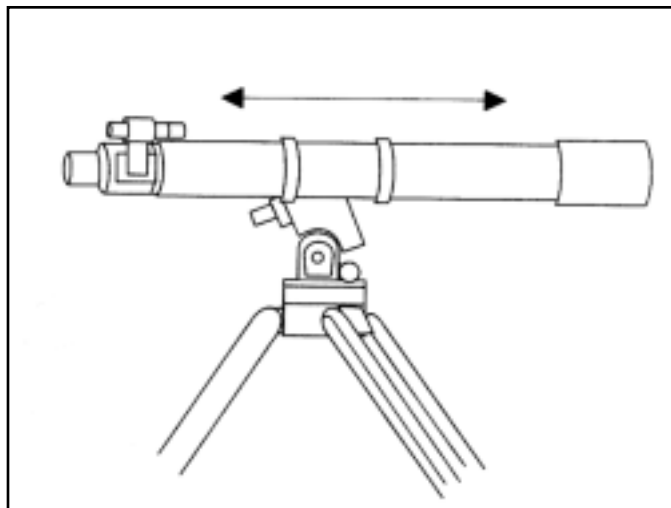


Figure 2-26

## Réglage de la monture équatoriale

Pour qu'une motorisation permette d'effectuer des recherches précises, l'axe de rotation du télescope doit être parallèle à l'axe de rotation de la Terre, un processus que l'on qualifie d'alignement polaire. L'alignement polaire ne s'effectue PAS en déplaçant le télescope en ascension droite ou en déclinaison, mais en ajustant la monture sur le plan vertical ou altitude. Cette section explique simplement le bon mouvement du télescope pendant le processus d'alignement polaire. Le véritable processus d'alignement polaire, qui place l'axe de rotation du télescope parallèle à la Terre, est décrit plus loin dans la section « Alignement polaire ».

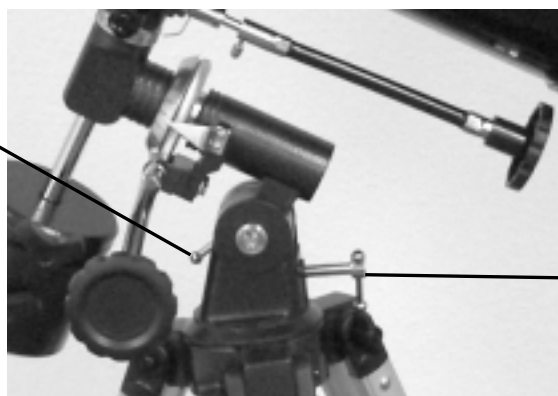
## Réglage de la monture en altitude

- Pour augmenter la latitude de l'axe polaire, desserrez légèrement le boulon de blocage de la latitude -- Figure 2-27.
- Pour augmenter ou diminuer la latitude de l'axe polaire, serrez ou desserrez la vis de réglage de la latitude. Ensuite, serrez fermement le bouton de blocage de la latitude. Veillez à ne pas vous pincer les doigts ou vous blesser en manipulant ces vis.

La vis de réglage de la latitude sur la monture du PowerSeeker a une portée de 20° à 60° environ.

Il est préférable de toujours effectuer les réglages définitifs de la latitude en déplaçant la monture contre la gravité (c'est-à-dire en utilisant la vis de réglage arrière de la latitude pour redresser la monture). Pour cela, vous devez desserrer la vis de réglage de la latitude puis, appuyez manuellement sur l'avant de la monture pour la faire descendre le plus possible. Serrez ensuite la vis de réglage pour redresser la monture à la latitude souhaitée.

Boulon de blocage de la latitude



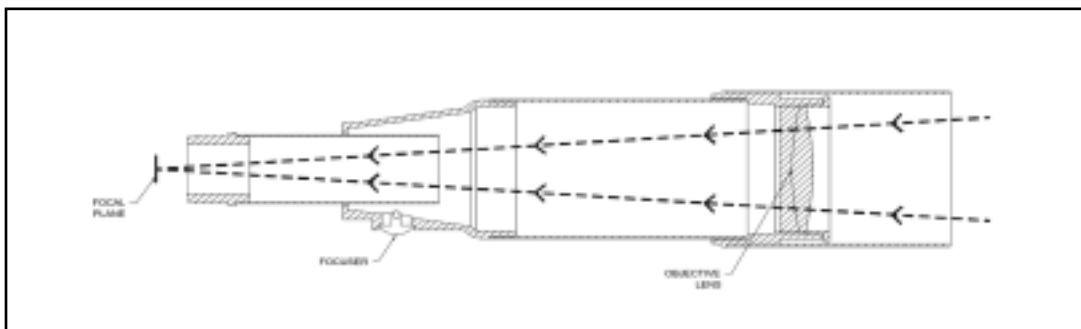
Vis de réglage de la latitude

Figure 2-27

# Notions fondamentales sur les télescopes

Un télescope est un instrument qui collecte et focalise la lumière. La manière dont la lumière est focalisée est déterminée par le type de modèle optique. Certains télescopes, connus sous le nom de lunettes, utilisent des lentilles là où les télescopes réflecteurs (newtoniens) sont équipés de miroirs.

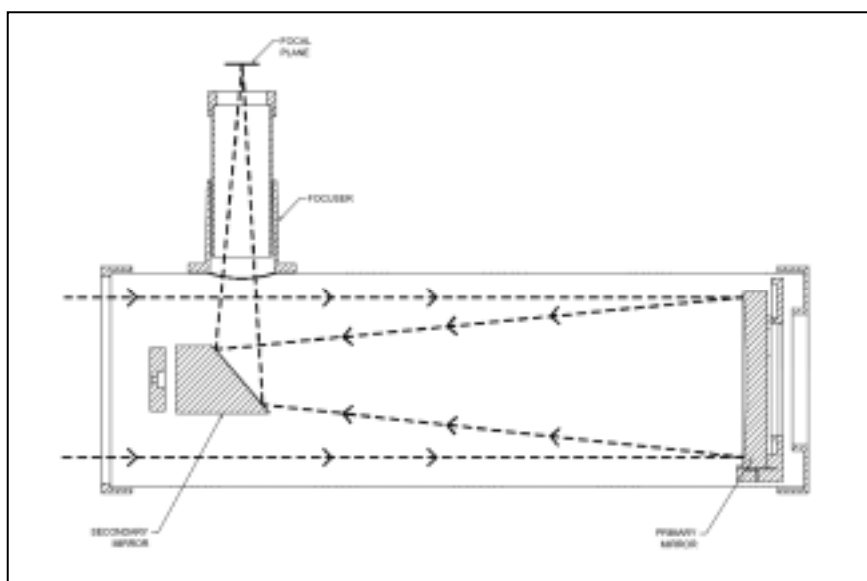
Mis au point au début du XVII<sup>ème</sup> siècle, le **réfracteur** est le plus ancien modèle de télescope. Son nom provient de la méthode qu'il utilise pour faire converger les rayons lumineux incidents. Le réfracteur, ou lunette, dispose d'une lentille pour courber ou réfléchir les rayons lumineux incidents, d'où son nom (voir Figure 3-1). Les premiers modèles étaient composés de lentilles à un seul élément. Toutefois, la lentille unique a pour inconvénient de fonctionner comme un prisme et de répartir la lumière dans les différentes couleurs de l'arc-en-ciel, un phénomène connu sous le nom d'aberration chromatique. Pour pallier ce problème, une lentille à deux éléments, connue sous le nom d'achromate, a été introduite. Chaque élément possède un indice de réfraction différent permettant à deux longueurs d'ondes de lumière différentes de converger sur un même point. La plupart des lentilles à deux éléments, généralement faites de verres en crown et en flint, sont corrigées pour les lumières rouges et vertes. Il est possible de faire converger la lumière bleue sur un point légèrement différent.



**Figure 3-1**

*Vue en coupe de la trajectoire de la lumière dans le modèle optique de type réfracteur*

Un réflecteur **newtonien** utilise un seul miroir concave comme miroir primaire. La lumière pénètre dans le tube pour atteindre le miroir situé en bout. La courbure du miroir renvoie alors la lumière vers l'avant du tube sur un seul point, le point focal. Étant donné que si vous mettiez la tête devant le télescope pour observer une image avec un oculaire, le réflecteur ne fonctionnerait pas, un miroir plan appelé *redresseur* à 90° intercepte la lumière et la renvoie sur le côté du tube et perpendiculairement à ce tube. L'oculaire est placé à cet endroit pour faciliter l'observation.



**Figure 3-2**

*Vue en coupe de la trajectoire de la lumière dans le modèle optique newtonien*

Les télescopes réflecteurs de type Newton remplacent les lentilles lourdes par des miroirs pour collecter et faire converger la lumière, offrant ainsi un pouvoir de convergence des rayons lumineux plus important pour le prix. Étant donné que la trajectoire des rayons lumineux est interceptée et réfléchi sur le côté, il est possible d'avoir des distances focales allant jusqu'à 1000 mm avec un télescope relativement compact et portable. Un télescope réflecteur newtonien offre des caractéristiques de captation de la lumière si impressionnantes que même avec un budget modeste, vous êtes en mesure de sonder sérieusement les espaces lointains en astronomie. Les télescopes réflecteurs newtoniens nécessitent un peu plus de soin et d'entretien étant donné que le miroir primaire est exposé à l'air libre et à la poussière. Toutefois, ce petit inconvénient n'affecte en rien la popularité de ce type de télescope pour ceux qui souhaitent un télescope économique capable de résoudre des objets pâles et éloignés.

## Orientation de l'image

L'orientation de l'image dépend de la manière dont l'oculaire est inséré dans le télescope. Si vous observez avec un renvoi à 90° avec des lunettes, l'image obtenue sera à l'endroit, mais inversée de gauche à droite (effet d'image miroir). Si vous insérez l'oculaire directement dans le dispositif de mise au point d'une lunette (c-à-d. sans le renvoi à 90°), l'image est renversée et inversée de gauche à droite. Toutefois, en utilisant la lunette PowerSeeker avec le renvoi à 90° redresseur d'images standard, l'orientation de l'image est correcte.

Les réflecteurs newtoniens produisent une image à l'endroit, mais celle-ci apparaîtra tournée en fonction de l'emplacement du support de l'oculaire par rapport au sol. Toutefois, il suffit d'utiliser le renvoi à 90° redresseur d'images fourni avec les newtoniens PowerSeeker pour obtenir une bonne orientation de l'image.



Figure 3-3

## Mise au point

Pour faire la mise au point de votre télescope réfracteur ou newtonien, il suffit de tourner le bouton de mise au point situé directement sous le porte-oculaire (voir Figures 2-20 et 2-21). Tournez ce bouton dans le sens des aiguilles d'une montre pour faire une mise au point sur un objet plus éloigné de vous que celui que vous êtes en train d'observer. Tournez le bouton dans le sens inverse pour faire la mise au point sur un objet plus proche de vous que celui que vous êtes en train d'observer.

**Remarque :** Si vous portez des lentilles correctrices (et plus particulièrement des lunettes), il peut s'avérer utile de les retirer avant d'effectuer des observations au moyen d'un oculaire fixé au télescope. Toutefois, lorsque vous utilisez un appareil photo, vous devriez toujours porter vos lentilles correctrices pour parvenir à la mise au point la plus précise. Si vous êtes astigmatique, vous devez porter vos lentilles correctrices en permanence.

## Calcul du grossissement

Vous pouvez modifier la puissance de votre télescope en changeant simplement l'oculaire. Pour déterminer le grossissement de votre télescope, il suffit de diviser la distance focale du télescope par la distance focale de l'oculaire utilisé. L'équation est la suivante :

$$\text{Grossissement} = \frac{\text{Distance focale du télescope (mm)}}{\text{Distance focale de l'oculaire (mm)}}$$

Supposons, par exemple, que vous utilisiez l'oculaire de 20 mm livré avec votre télescope. Pour déterminer le grossissement, il suffit de diviser la distance focale du télescope (à titre d'exemple, le PowerSeeker 80EQ possède une distance focale de 900 mm) par la distance focale de l'oculaire, soit 20 mm. 900 divisé par 20 équivaut à un grossissement de 45x.

Bien que la puissance soit réglable, tous les instruments d'observation sont limités à un grossissement maximal utile pour un ciel ordinaire. En règle générale, on utilise un grossissement de 60 pour chaque pouce (25,4 mm) d'ouverture. À titre d'exemple, le diamètre du PowerSeeker 80EQ est de 61 mm (3,1 pouces). La multiplication de 3,1 par 80 donne un grossissement maximal utile égal à 189. Bien qu'il s'agisse du grossissement maximal utile, la plupart des observations sont réalisées dans une plage de grossissement de 20 à 35 chaque 25,4 mm (1 po) d'ouverture, soit une plage de grossissement de 62 à 109 dans le cas du télescope PowerSeeker 80EQ. Vous pouvez déterminer le grossissement de votre télescope de la même façon.



## ***Établissement du champ de vision***

L'établissement du champ de vision est important si vous voulez avoir une idée du diamètre apparent de l'objet observé. Pour calculer le champ de vision réel, divisez le champ apparent de l'oculaire (fourni par le fabricant de l'oculaire) par le grossissement. L'équation est la suivante :

$$\text{Champ réel} = \frac{\text{Champ apparent de l'oculaire}}{\text{Grossissement}}$$

Comme vous pouvez le constater, il est nécessaire de calculer le grossissement avant d'établir le champ de vision. À l'aide de l'exemple indiqué plus haut, nous pouvons déterminer le champ de vision avec le même oculaire de 20 mm, fourni avec tous les télescopes PowerSeeker 80EQ. Le champ de vision apparent d'un oculaire de 20 mm est de 50°. Il faut alors diviser 50° par le grossissement de 45. Le résultat est un champ de vision effectif (réel) de 1,1°.

Pour convertir des degrés en pieds à 1000 verges (914,4 mètres), ce qui est plus utile pour des observations terrestres, il suffit de multiplier par 52,5. Dans notre exemple, multipliez le champ angulaire de 1,1° par 52,5. La largeur du champ linéaire est alors égale à 17,6 mètres (58 pieds) à une distance de mille verges (914,4 mètres).

## ***Conseils généraux d'observation***

L'utilisation d'un instrument optique nécessite la connaissance de certains éléments de manière à obtenir la meilleure qualité d'image possible.

- Ne regardez jamais à travers une vitre. Les vitres des fenêtres ménagères contiennent des défauts optiques et l'épaisseur varie ainsi d'un point à un autre de la vitre. Ces irrégularités risquent d'affecter la capacité de mise au point de votre télescope. Dans la plupart des cas, vous ne parviendrez pas à obtenir une image parfaitement nette et vous risquez même parfois d'avoir une image double.
- Ne jamais regarder au-delà ou par-dessus des objets produisant des vagues de chaleur, notamment les parkings en asphalte pendant les jours d'été particulièrement chauds, ou encore les toitures des bâtiments.
- Les ciels brumeux, le brouillard et la brume risquent de créer des difficultés de mise au point en observation terrestre. Les détails sont nettement moins visibles avec ce type de conditions.
- Si vous portez des lentilles correctrices (et plus particulièrement des lunettes), il peut s'avérer utile de les retirer avant d'effectuer des observations au moyen d'un oculaire fixé au télescope. Toutefois, lorsque vous utilisez un appareil photo, vous devriez toujours porter vos lentilles correctrices pour obtenir la mise au point la plus précise. Si vous êtes astigmat, vous devez porter vos lentilles correctrices en permanence.

# Notions fondamentales d'astronomie

Jusqu'à ce point, nous n'avons traité dans ce guide que de l'assemblage et du fonctionnement de base de votre télescope. Toutefois, pour mieux comprendre cet instrument, vous devez vous familiariser un peu avec le ciel nocturne. Ce chapitre traite de l'astronomie d'observation en général et comprend des informations sur le ciel nocturne et l'alignement polaire.

## Le système de coordonnées célestes

Afin de trouver des objets célestes, les astronomes ont recours à un système de coordonnées célestes similaire au système de coordonnées géographiques que l'on utilise sur Terre. Le système de coordonnées célestes possède des pôles, des lignes de longitude et de latitude, et un équateur. Dans l'ensemble, ces repères restent fixes par rapport aux étoiles.

L'équateur céleste parcourt 360 degrés autour de la Terre et sépare l'hémisphère céleste nord de l'hémisphère sud. Tout comme l'équateur terrestre, il présente une position initiale de zéro degré. Sur Terre, ceci correspondrait à la latitude. Toutefois, dans le ciel, on y fait référence sous le nom de déclinaison, ou DEC en abrégé. Les lignes de déclinaison sont nommées en fonction de leur distance angulaire au-dessus et en dessous de l'équateur céleste. Ces lignes sont divisées en degrés, minutes d'arc et secondes d'arc. Les chiffres des déclinaisons au sud de l'équateur sont accompagnés du signe moins (-) placé devant les coordonnées et ceux de l'équateur céleste nord sont soit vierges (c-à-d. sans désignation) soit précédés du signe (+).

L'équivalent céleste de la longitude s'appelle l'ascension droite, ou A.D. en abrégé. Comme les lignes de longitude terrestres, ces lignes vont d'un pôle à l'autre et sont espacées régulièrement de 15 degrés. Bien que les lignes de longitude soient séparées par une distance angulaire, elles sont aussi une mesure du temps. Chaque ligne de longitude est placée à une heure de la suivante. Étant donné que la Terre accomplit une révolution en 24 heures, il existe un total de 24 lignes. Pour cette raison, les coordonnées de l'ascension droite sont exprimées en unités temporelles. Le départ se fait sur un point arbitraire dans la constellation des Poissons situé à 0 heure, 0 minute, 0 seconde. Tous les autres points sont désignés par la distance (autrement dit la durée) qui les sépare de cette coordonnée une fois qu'elle les a dépassés en suivant sa trajectoire céleste vers l'ouest.

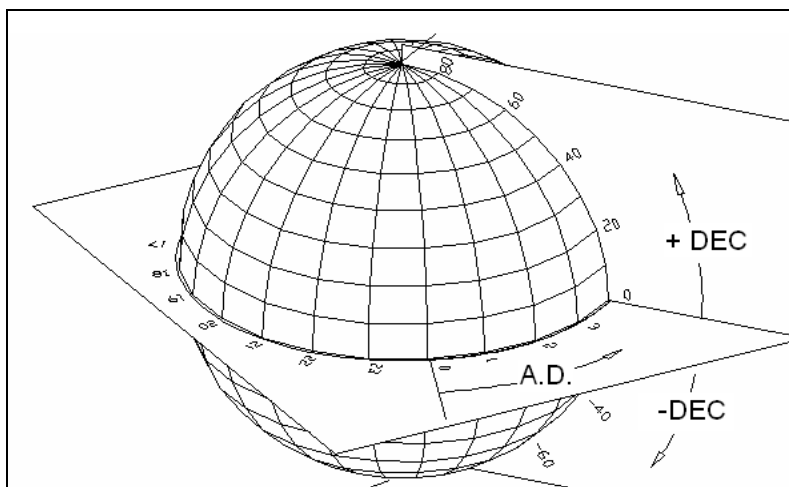


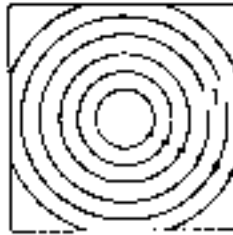
Figure 4-1

La sphère céleste vue de l'extérieur avec l'ascension droite et la déclinaison

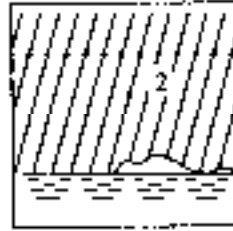
## Mouvement des étoiles

Le mouvement quotidien du Soleil dans le ciel est familier, même à l'observateur néophyte. Cette avancée quotidienne n'est pas due au déplacement du Soleil, comme le pensaient les premiers astronomes, mais à la rotation de la Terre. La rotation de la Terre entraîne les étoiles à en faire autant, en décrivant un large cercle lorsque la Terre finit une révolution. La taille de la trajectoire circulaire d'une étoile dépend de sa position dans le ciel. Les étoiles situées à proximité de l'équateur céleste forment les cercles les plus larges se levant à l'est et se couchant à l'ouest. En se déplaçant vers le pôle nord céleste, le point autour duquel les étoiles de l'hémisphère nord semblent tourner, ces cercles deviennent plus petits. Les étoiles des latitudes mi-célestes se lèvent au nord-est et se couchent au nord-ouest. Les étoiles situées à des latitudes célestes élevées apparaissent toujours au-dessus de l'horizon et sont qualifiées de circumpolaires parce qu'elles ne se lèvent ni ne se couchent jamais. Vous ne verrez jamais les étoiles compléter un cercle parce que la lumière du Soleil pendant la journée atténue leur luminosité. Toutefois, il est possible d'observer partiellement ce déplacement circulaire des étoiles dans cette région en réglant un appareil photo sur un trépied et en ouvrant l'obturateur pendant deux heures environ. L'exposition minutée révélera des demi-cercles qui tournent autour du pôle. (Cette description des mouvements stellaires s'applique également à l'hémisphère sud, à cette différence que toutes les étoiles au sud de l'équateur céleste se déplacent autour du pôle sud céleste).

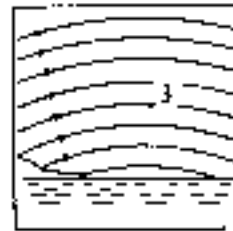
**Étoiles observées près du pôle nord céleste**



**Étoiles observées près de l'équateur céleste**



**Étoiles observées dans la direction opposée au pôle nord céleste**



**Figure 4-2**

Toutes les étoiles semblent tourner autour des pôles célestes. Toutefois, l'aspect de ce mouvement varie selon l'endroit que vous regardez dans le ciel. Près du pôle nord céleste, les étoiles décrivent des cercles reconnaissables centrés sur le pôle (1). Les étoiles situées près de l'équateur céleste suivent également des trajectoires circulaires autour du pôle. Néanmoins, la trajectoire est interrompue par l'horizon. Elles semblent donc se lever à l'est et se coucher à l'ouest (2). Si l'on regarde vers le pôle opposé, la courbe de l'étoile ou l'arc de la direction opposée décrit un cercle autour du pôle opposé (3).



**Figure 4-3**

## **Alignement polaire avec l'échelle des latitudes**

Le moyen le plus simple de réaliser l'alignement polaire d'un télescope consiste à utiliser une échelle des latitudes. Contrairement aux autres méthodes qui nécessitent de trouver le pôle céleste en repérant certaines étoiles proches, cette méthode se base sur une constante connue pour déterminer à quelle hauteur il faut s'orienter vers l'axe polaire. La monture équatoriale du PowerSeeker peut être réglée de 20 à 60 degrés environ (voir Figure 4-3).

La constante mentionnée plus haut correspond au rapport entre votre latitude et la distance angulaire à laquelle le pôle céleste est situé au-dessus de l'horizon nord (ou sud). La distance angulaire entre l'horizon nord et le pôle nord céleste est toujours égale à votre latitude. Pour illustrer cela, imaginez que vous vous tenez devant le pôle nord, latitude +90°. Le pôle nord céleste, dont la déclinaison est de +90°, serait alors placé directement au-dessus de votre tête (autrement dit, 90 au-dessus de l'horizon). Supposons ensuite que vous vous déplaçiez d'un degré vers le sud — votre latitude est alors de +89° et le pôle céleste n'est plus directement au-dessus de vous. Il s'est déplacé d'un degré vers l'horizon nord. Cela signifie que le pôle est maintenant à 89° au-dessus de l'horizon nord. Si vous vous déplacez d'un degré plus au sud, le même phénomène se produit. Il vous faudrait vous déplacer de 112 km (70 milles) vers le nord ou vers le sud pour changer votre latitude d'un degré. Comme vous pouvez le constater avec cet exemple, la distance entre l'horizon nord et le pôle céleste est toujours égale à votre latitude.

Si votre lieu d'observation est situé à Los Angeles, dont la latitude est de 34°, le pôle céleste est alors à 34° au-dessus de l'horizon nord. Tout ce que fait l'échelle des latitudes, c'est de pointer l'axe polaire du télescope à la bonne altitude au-dessus de l'horizon nord (ou sud).

Pour aligner votre télescope :

1. Vérifiez que l'axe polaire de la monture est dirigé plein nord. Utilisez un repère terrestre dont vous savez qu'il est orienté vers le nord.
2. Mettez le trépied à niveau. La mise à niveau du trépied n'est nécessaire que pour cette méthode d'alignement polaire.
3. Ajustez l'altitude de la monture jusqu'à ce que l'indicateur de latitude soit orienté sur votre latitude. Le déplacement de la monture affecte l'angle sur lequel l'axe polaire est dirigé. Pour des informations détaillées sur la manière de régler la monture équatoriale, veuillez consulter la section « Réglage de la monture ».

Cette méthode peut être effectuée de jour, évitant ainsi d'avoir à tâtonner dans l'obscurité. Même si cette méthode ne vous place **PAS** directement sur le pôle, elle a l'avantage de limiter le nombre de corrections que vous aurez à faire pour suivre un objet.

## Pointage sur l'étoile Polaire

Cette méthode a recours à l'étoile Polaire comme repère pour trouver le pôle nord céleste. Étant donné que l'étoile Polaire est située à moins d'un degré du pôle céleste, vous pouvez simplement orienter l'axe polaire de votre télescope sur elle. Bien que cet alignement ne soit en aucun cas parfait, il vous amène à un degré du but. Contrairement à la méthode précédente, cette procédure doit s'effectuer dans l'obscurité lorsque l'étoile Polaire est visible.

1. Réglez le télescope de manière à ce que l'axe polaire soit orienté vers le nord – voir Figure 4-6.
2. Desserrez le bouton d'embrayage de la déclinaison et déplacez le télescope de manière à ce que le tube soit parallèle à l'axe polaire. Une fois cette manœuvre effectuée, le cercle gradué de déclinaison indiquera  $+90^\circ$ . Si le cercle gradué de déclinaison n'est pas aligné, déplacez le télescope afin que le tube soit parallèle à l'axe polaire.
3. Réglez la monture en altitude et/ou azimut jusqu'à ce que l'étoile Polaire soit dans le champ de vision du chercheur.

**N'oubliez pas, lors de l'alignement polaire, qu'il ne faut PAS déplacer le télescope en ascension droite ou en déclinaison. Ce n'est pas le télescope qui doit bouger, mais l'axe polaire. Le télescope est utilisé uniquement pour voir dans quelle direction l'axe polaire pointe.**

Comme avec la méthode précédente, cette procédure vous rapproche du pôle, sans vous mettre directement dessus. La méthode suivante permet d'améliorer votre précision pour réaliser des observations plus poussées et des photos.

## Recherche du pôle nord céleste

Dans chaque hémisphère, il existe un point dans le ciel autour duquel toutes les autres étoiles semblent graviter. Ces points, qualifiés de pôles célestes, sont nommés en fonction de l'hémisphère où ils sont situés. Par exemple, dans l'hémisphère nord, toutes les étoiles tournent autour du pôle nord céleste. Lorsque l'axe polaire du télescope pointe sur le pôle céleste, il est parallèle à l'axe de rotation de la Terre.

De nombreuses méthodes d'alignement polaire nécessitent de savoir trouver le pôle céleste en identifiant les étoiles alentour. Pour les personnes résidant dans l'hémisphère nord, il n'est pas très difficile de trouver le pôle céleste. Nous disposons, par chance, d'une étoile visible à l'œil nu à moins d'un degré. Cette étoile, l'étoile Polaire, est la dernière étoile du manche de la « petite casserole » ou Petite Ourse. Étant donné que la Petite Ourse (techniquement désignée par le terme d'Ourse Mineure) n'est pas l'une des constellations les plus lumineuses du ciel, il peut être difficile de la localiser à partir de zones urbaines. Si tel est le cas, utilisez les deux dernières étoiles en bas de la « grande casserole » ou Grande Ourse (les étoiles de pointage). Tracez une ligne imaginaire qui les traverse en direction de la Petite Ourse. Elles pointent vers l'étoile Polaire (voir Figure 4-5). La position de la Grande Ourse (Ourse Majeure) change pendant l'année et au cours de la nuit (voir Figure 4-4). Lorsque la Grande Ourse est basse dans le ciel (autrement dit, près de l'horizon), elle peut être difficile à localiser. Si tel est le cas, cherchez Cassiopée (voir Figure 4-5). Les observateurs de l'hémisphère sud ont moins de chance que ceux de l'hémisphère nord. Les étoiles autour du pôle sud céleste ne sont pas aussi lumineuses que celles du nord. L'étoile la plus proche et relativement lumineuse est Sigma Octantis. Cette étoile est juste dans les limites de visibilité à l'œil nu (magnitude 5,5), à environ 59 minutes d'arc du pôle.

*Définition : le pôle nord céleste est le point situé dans l'hémisphère nord autour duquel toutes les étoiles semblent graviter. Son équivalent dans l'hémisphère sud est désigné sous le nom de pôle sud céleste.*

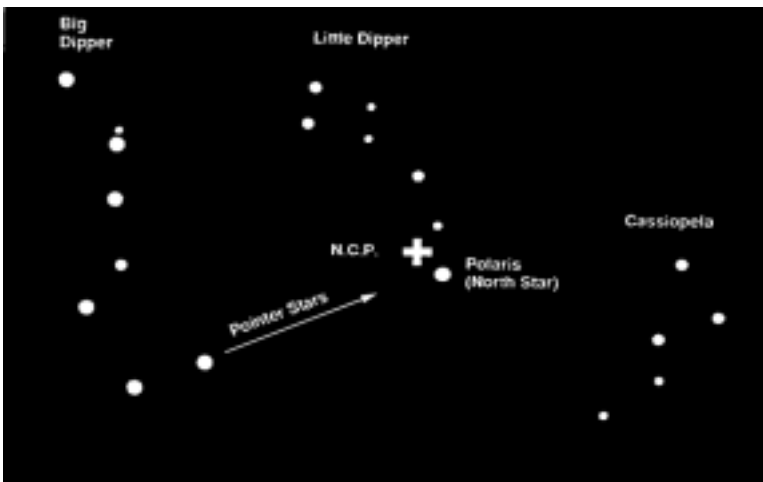


Figure 4-5

Les deux étoiles situées en bas, sur l'avant de la Grande Ourse, pointent vers l'étoile Polaire, située à moins d'un degré du pôle (nord) céleste véritable. Cassiopée, la constellation en forme de « W », est située du côté opposé à la Grande Ourse au pôle. Le pôle nord céleste (N.C.P.) est indiqué par le signe « + ».



Figure 4-4

La position de la Grande Ourse change toute l'année et au cours de la nuit.

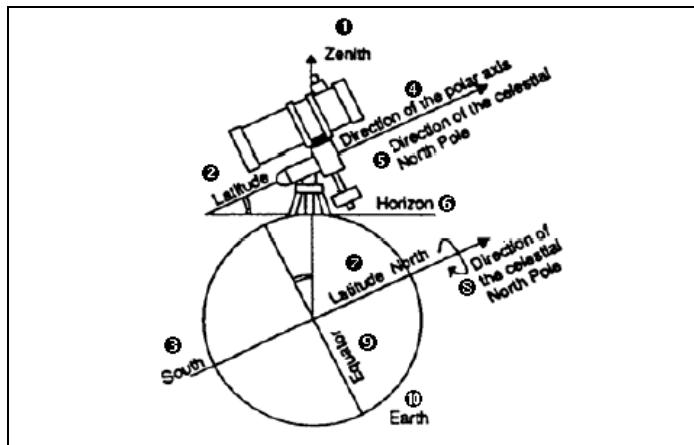


Figure 4-6

Alignement de la monture équatoriale sur l'axe polaire de la Terre

## Alignement polaire dans l'hémisphère sud

L'alignement polaire sur le pôle sud céleste (PSC) est un peu plus difficile à réaliser compte tenu du fait qu'il n'existe aucune étoile brillante, telle l'étoile Polaire pour le pôle nord céleste, à proximité. Il existe différents moyens d'effectuer l'alignement polaire de votre télescope et les méthodes indiquées ci-dessous vous permettront de vous rapprocher suffisamment du pôle sud céleste pour l'observer de manière adéquate.

### Alignement polaire avec l'échelle des latitudes

Le moyen le plus simple de réaliser l'alignement polaire d'un télescope consiste à utiliser une échelle des latitudes. Contrairement aux autres méthodes qui nécessitent de trouver le pôle céleste en repérant certaines étoiles proches, cette méthode se base sur une constante connue pour déterminer à quelle hauteur il faut s'orienter vers l'axe polaire.



Figure 4-7

La constante, mentionnée plus haut, correspond au rapport entre votre latitude et la distance angulaire à laquelle le pôle céleste est situé au-dessus de l'horizon sud. La distance angulaire entre l'horizon sud et le pôle sud céleste est toujours égale à votre latitude. Pour illustrer cela, imaginez que vous vous tenez devant le pôle sud, latitude  $-90^\circ$ . Le pôle sud céleste, dont la déclinaison est de  $-90^\circ$ , serait alors placé directement au-dessus de votre tête (autrement dit,  $90^\circ$  au-dessus de l'horizon). Supposons ensuite que vous vous déplaçiez d'un degré vers le nord — votre latitude est alors de  $-89^\circ$  et le pôle céleste n'est plus directement au-dessus de vous. Il s'est déplacé d'un degré vers l'horizon sud. Cela signifie que le pôle est maintenant à  $89^\circ$  au-dessus de l'horizon sud. Si vous vous déplacez d'un degré plus au nord, le même phénomène se produit. Il vous faudrait vous déplacer de 112 km (70 milles) vers le nord ou vers le sud pour changer votre latitude d'un degré. Comme vous pouvez le constater avec cet exemple, la distance entre l'horizon sud et le pôle céleste est toujours égale à votre latitude.

Si votre lieu d'observation est situé à Sydney, dont la latitude est de  $-34^\circ$ , le pôle céleste est alors à  $34^\circ$  au-dessus de l'horizon sud. Tout ce que fait l'échelle des latitudes, c'est de pointer l'axe polaire du télescope à la bonne altitude au-dessus de l'horizon sud. Pour aligner votre télescope :

1. Vérifiez que l'axe polaire de la monture est dirigé plein sud. Utilisez un repère terrestre dont vous savez qu'il est orienté vers le sud.
2. Mettez le trépied à niveau. La mise à niveau du trépied n'est nécessaire que pour cette méthode d'alignement polaire.
3. Ajustez l'altitude de la monture jusqu'à ce que l'indicateur de latitude soit orienté sur votre latitude. Le déplacement de la monture affecte l'angle sur lequel l'axe polaire est dirigé. Pour des informations détaillées sur la manière de régler la monture équatoriale, veuillez consulter la section « Réglage de la monture » du manuel de votre télescope.
4. Si la procédure ci-dessus est effectuée correctement, vous devriez être en mesure d'observer près du pôle avec le chercheur et un oculaire de faible puissance.

Cette méthode peut être effectuée de jour, évitant ainsi d'avoir à tâtonner dans l'obscurité. Même si cette méthode ne vous place **PAS** directement sur le pôle, elle a l'avantage de limiter le nombre de corrections que vous aurez à faire pour suivre un objet.

## Pointage sur Sigma Octantis

Cette méthode a recours à Sigma Octantis comme repère pour trouver le pôle céleste. Étant donné que Sigma Octantis est située à moins d'un degré du pôle sud céleste, vous pouvez simplement orienter l'axe polaire de votre télescope sur elle. Bien que cet alignement ne soit en aucun cas parfait, il vous amène à un degré du but. Contrairement à la méthode précédente, cette procédure doit s'effectuer dans l'obscurité lorsque Sigma Octantis est visible. Sigma Octantis possède une magnitude de 5,5 et peut être difficile à voir. Des jumelles ainsi qu'un chercheur peuvent donc être utiles.

1. Réglez le télescope de manière à orienter l'axe polaire vers le sud.
2. Desserrez le bouton d'embrayage de la déclinaison et déplacez le télescope de manière à ce que le tube soit parallèle à l'axe polaire. Une fois cette manœuvre effectuée, le cercle gradué de déclinaison indiquera 90°. Si le cercle gradué de déclinaison n'est pas aligné, déplacez le télescope afin que le tube soit parallèle à l'axe polaire.
3. Réglez la monture en altitude et/ou azimut jusqu'à ce que Sigma Octantis soit dans le champ de vision du chercheur.
4. Si la procédure ci-dessus est effectuée correctement, vous devriez être en mesure d'observer près du pôle avec le chercheur et un oculaire de faible puissance.

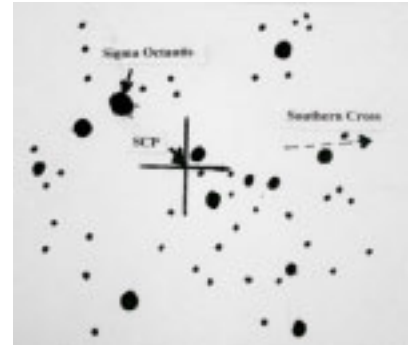


Figure 4-8

**N'oubliez pas, lors de l'alignement polaire, qu'il ne faut PAS déplacer le télescope en ascension droite ou en déclinaison. Ce n'est pas le télescope qui doit bouger, mais l'axe polaire. Le télescope est utilisé uniquement pour voir dans quelle direction l'axe polaire pointe.**

Comme avec la méthode précédente, cette procédure vous rapproche du pôle, sans vous mettre directement dessus.

## Recherche du pôle sud céleste (SCP)

Cette méthode permet d'améliorer la précision de votre alignement polaire en vous rapprochant davantage du pôle que les méthodes indiquées précédemment. Elle vous permettra d'obtenir plus de précision pour des séances d'observation et de photographie plus complexes.

Dans chaque hémisphère, il existe un point dans le ciel autour duquel toutes les autres étoiles semblent graviter. Ces points, qualifiés de pôles célestes, sont nommés en fonction de l'hémisphère où ils sont situés. Par exemple, dans l'hémisphère sud, toutes les étoiles tournent autour du pôle sud céleste. Lorsque l'axe polaire du télescope pointe sur le pôle céleste, il est parallèle à l'axe de rotation de la Terre.

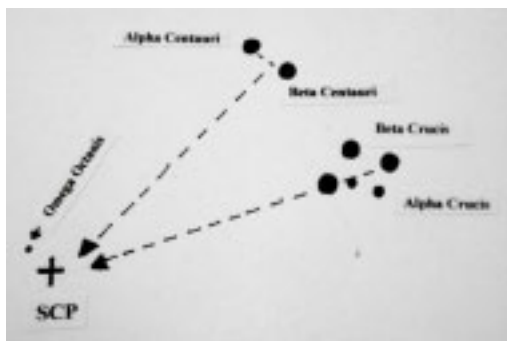


Figure 4-9

De nombreuses méthodes d'alignement polaire nécessitent de savoir trouver le pôle céleste en identifiant les étoiles alentour. Les observateurs de l'hémisphère sud ont moins de chance que ceux de l'hémisphère nord. Les étoiles autour du pôle sud céleste ne sont pas aussi lumineuses que celles gravitant autour du pôle nord céleste. L'étoile la plus proche et relativement lumineuse est Sigma Octantis. Cette étoile est dans les limites des objets visibles à l'œil nu (magnitude 5,5) et se situe à environ 1° du pôle sud céleste. Néanmoins, elle peut être difficile à localiser.

C'est la raison pour laquelle vous devrez vous appuyer, selon cette méthode, sur des formations d'étoiles pour trouver le pôle sud céleste. Tracez une ligne imaginaire en direction du pôle sud céleste passant entre Alpha Crucis et Bêta Crucis (qui font partie de la Croix du Sud). Tracez une autre ligne imaginaire en direction du pôle sud céleste, perpendiculaire à une ligne reliant Alpha Centauri et Bêta Centauri. L'intersection de ces deux lignes imaginaires vous orientera à proximité du pôle sud céleste.

## Alignement des cercles gradués

Avant de pouvoir utiliser les cercles gradués pour trouver des objets dans le ciel, vous devez aligner au préalable le cercle d'ascension droite gradué en minutes. Le cercle de déclinaison est gradué en degrés et réglé en usine. Il ne devrait nécessiter aucun réglage. Sur le cercle gradué d'ascension droite, deux jeux de chiffres figurent sur le cadran : l'un pour l'hémisphère nord (en haut) et l'autre pour l'hémisphère sud (en bas).

Afin d'aligner le cercle gradué d'ascension droite, vous devez connaître les noms de quelques-unes des étoiles les plus brillantes du ciel. Si vous ignorez quelles sont ces étoiles, vous pouvez apprendre à les repérer en utilisant les cartes du ciel Celestron (Réf. 93722) ou en consultant un magazine d'astronomie actuel.



**Figure 4-10**

Cercle de déclinaison en haut, cercle d'ascension droite en bas

Pour aligner le cercle gradué d'ascension droite :

1. Recherchez une étoile lumineuse près de l'équateur céleste. Plus vous êtes éloigné du pôle céleste, plus les chiffres obtenus avec le cercle gradué d'ascension droite sont précis. L'étoile que vous choisirez pour aligner le cercle gradué doit être une étoile brillante dont les coordonnées sont connues et faciles à trouver.
2. Centrez l'étoile dans le chercheur.
3. Regardez dans le télescope principal et notez si l'étoile est dans le champ. Sinon, trouvez-la et centrez-la.
4. Recherchez les coordonnées de l'étoile.
5. Tournez le cercle jusqu'à ce que les bonnes coordonnées soient alignées sur l'indicateur d'ascension droite. Le cercle gradué d'ascension droite doit tourner librement.

**REMARQUE :** Étant donné que le cercle gradué d'ascension droite ne se déplace PAS lorsque le télescope bouge en ascension droite, le cercle gradué doit être aligné chaque fois que vous voulez l'utiliser pour trouver un objet. Toutefois, vous n'avez pas besoin d'utiliser une étoile à chaque fois. Au lieu de cela, vous pouvez utiliser les coordonnées de l'objet que vous êtes en train d'observer.

Une fois les cercles alignés, vous pouvez les utiliser pour trouver n'importe quel objet dont les coordonnées sont connues. La précision de vos cercles gradués est directement liée à la précision de votre alignement polaire.

1. Sélectionnez un objet à observer. Utilisez une carte du ciel saisonnière pour vérifier que l'objet choisi est bien au-dessus de l'horizon. Lorsque vous serez plus familiarisé avec le ciel nocturne, cette procédure ne sera plus nécessaire.
2. Recherchez les coordonnées dans un atlas des étoiles ou un ouvrage de référence.
3. Maintenez le télescope et desserrez le bouton de blocage de la déclinaison.
4. Déplacez le télescope en déclinaison jusqu'à ce que l'indicateur pointe sur les bonnes coordonnées de déclinaison.
5. Serrez le bouton de blocage de la déclinaison pour empêcher le télescope de bouger.
6. Maintenez le télescope et desserrez le bouton de blocage de l'ascension droite.
7. Déplacez le télescope en ascension droite jusqu'à ce que l'indicateur pointe sur les bonnes coordonnées.
8. Serrez le bouton de blocage de l'ascension droite pour empêcher le télescope de basculer en modifiant l'ascension droite.
9. Regardez dans le chercheur pour voir si vous avez localisé l'objet et centrez-le dans le chercheur.
10. Regardez dans l'élément optique principal. L'objet devrait se trouver là. Si des objets sont très pâles, il peut être difficile de les voir dans le chercheur. Si tel est le cas, il est judicieux d'avoir une carte du ciel de la région afin de pouvoir faire du « Star hopping » (cheminement visuel) dans le champ, jusqu'à atteindre votre cible.
11. Il est possible de répéter cette procédure pour chaque objet au cours d'une même nuit.

## Motorisation

Pour faciliter le repérage des objets célestes, Celestron offre une motorisation c.c. sur un seul axe pour la monture équatoriale du PowerSeeker. Une fois l'alignement polaire effectué, la motorisation permet de suivre avec précision des objets en ascension droite lorsqu'ils se déplacent dans le ciel. Seuls de petits réglages de déclinaison seront nécessaires pour conserver le centrage des objets dans l'oculaire sur de longues périodes. Certains modèles sont livrés automatiquement avec cette motorisation qui est également vendue parmi les accessoires en option. (Modèle n° 93514) pour les autres modèles.

**Installation de la motorisation** – lorsqu'elle est achetée comme accessoire en option.

La motorisation se fixe sur la monture équatoriale du PowerSeeker au moyen d'un coupleur flexible qui s'installe sur la tige de contrôle lent de l'ascension droite et d'une platine qui permet de maintenir le moteur en position. Pour installer la motorisation, suivez la description et les illustrations ci-dessous :

1. Vérifiez que le câble de contrôle lent A.D. est fixé sur la tige d'ascension droite, à l'opposé de l'échelle des latitudes.
2. Retirez le boulon Allen situé sur le côté de la tige polaire.
3. Glissez l'extrémité ouverte du coupleur flexible du moteur sur la tige A.D. Vérifiez que la vis du coupleur flexible du moteur est positionnée sur la partie plate de la tige A.D.
4. Serrez la vis du coupleur du moteur à l'aide d'un tournevis à lame plate.
5. Tournez le moteur sur la tige jusqu'à ce que la partie découpée de la platine du moteur soit alignée sur le trou fileté situé au centre de l'axe de pivot de la latitude de la monture.
6. Insérez le boulon Allen dans la platine du moteur et vissez-le dans le trou situé sur le côté de l'axe du pivot. Serrez ensuite le boulon avec une clé Allen.

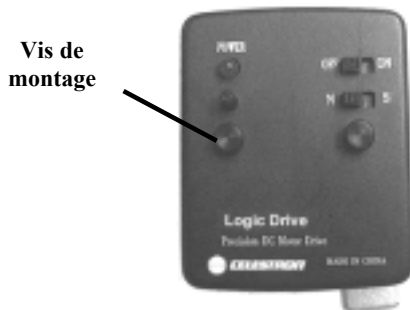


Figure 4-11

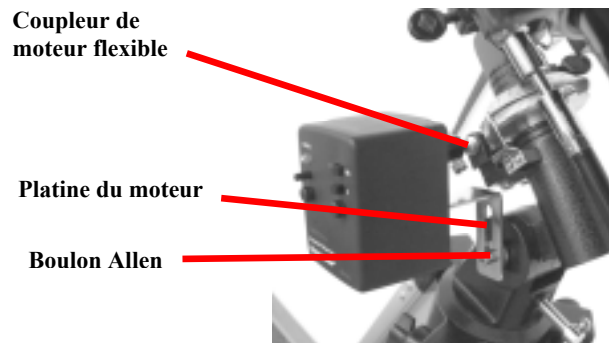


Figure 4-12

### Fonctionnement de la motorisation

La motorisation fonctionne avec une pile alcaline de 9 volts. Cette pile offre une autonomie de 40 heures environ, selon le réglage de la vitesse du moteur et la température ambiante. La pile devrait être déjà installée, mais si tel n'est pas le cas (ou si vous changez de pile), dévissez les deux vis de montage – Figure 4-11. Retirez la plaque du panneau de contrôle du moteur puis retirez la platine du moteur. Vous pourrez alors accéder à la pile reliée aux câbles pour la changer, ou pour la mettre en place. Ensuite, inversez toutes ces étapes pour remonter la motorisation sur la monture.

La motorisation est équipée d'un régulateur de vitesse (situé au-dessus de la vis de montage en Figure 4-11) qui permet d'accélérer ou de ralentir la vitesse de recherche de la motorisation. Cette fonction est utile pour l'observation d'objets non stellaires tels que la Lune ou le Soleil qui se déplacent à une vitesse sensiblement différente des autres étoiles. Pour modifier la vitesse du moteur, amenez l'interrupteur « On/Off » (marche/arrêt) sur « ON ». Le voyant d'alimentation rouge va s'allumer. Tournez ensuite le bouton du régulateur de vitesse dans le sens des aiguilles d'une montre pour augmenter la vitesse du moteur et dans le sens inverse pour la diminuer.

Pour déterminer la vitesse adéquate, l'alignement polaire approximatif du télescope doit avoir été effectué. Cherchez une étoile dans l'équateur céleste (déclinaison d'environ 0°) et centrez-la dans un oculaire de faible puissance. Mettez ensuite la motorisation en marche et laissez le télescope effectuer ses recherches pendant 1 à 2 minutes. Si au bout de quelques minutes, l'étoile dérive vers l'Ouest, cela signifie que la vitesse du moteur est trop lente et il convient de l'augmenter. Si l'étoile dérive vers l'Est, diminuez alors la vitesse. Refaites cette procédure jusqu'à ce que l'étoile reste centrée quelques minutes dans l'oculaire. Ne tenez pas compte des éventuelles dérives de déclinaison de l'étoile.

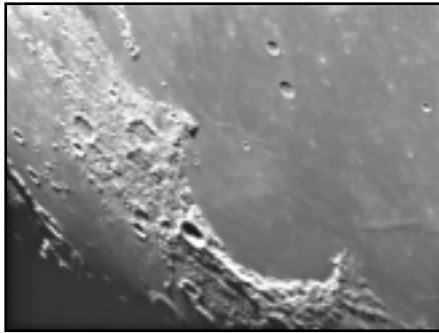
Le moteur est également équipé d'un interrupteur « N/S » pouvant être actionné selon qu'on utilise le télescope dans l'hémisphère nord ou l'hémisphère sud.



# **CELESTRON** **Observation céleste**

Dès que votre télescope est configuré, vous pouvez débiter vos séances d'observation. Ce chapitre traite des conseils d'observation visuelle des astres du système solaire et du ciel profond, ainsi que des conditions d'observation générales qui affectent vos possibilités d'observation.

## **Observation de la Lune**



Il est souvent tentant de regarder la Lune lorsqu'elle est pleine. C'est le moment où la face visible est alors intégralement éclairée et où la luminosité peut s'avérer trop intense. De plus, il y a peu ou pas de contraste durant cette phase.

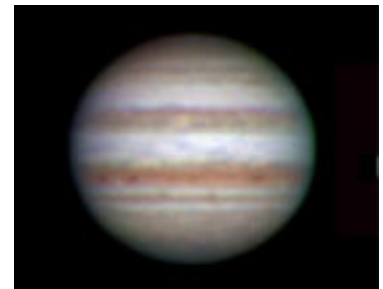
Les phases partielles de la Lune constituent l'un des moments privilégiés de l'observation lunaire (autour du premier ou du troisième quartier). Les ombres allongées révèlent toute une myriade de détails de la surface lunaire. À faible puissance, vous pouvez distinguer la majeure partie du disque lunaire. Utilisez des oculaires (en option) d'une puissance (grossissement) supérieure pour faire le point sur une zone plus limitée.

## **Conseils d'observation lunaire**

Pour augmenter le contraste et faire ressortir les détails de la surface lunaire, utilisez des filtres en option. Un filtre jaune améliore bien le contraste, alors qu'un filtre de densité neutre ou un filtre polarisant réduit la luminosité générale de la surface et les reflets.

## **Observation des planètes**

Les cinq planètes visibles à l'œil nu constituent d'autres cibles fascinantes. Vous pouvez apercevoir Vénus traverser des phases semblables à celles de la Lune. Mars révèle parfois une myriade de détails relatifs à sa surface et l'une de ses calottes polaires, voire les deux. Vous pourrez également observer les ceintures nuageuses de Jupiter et la Grande Tache Rouge (si elle est visible au moment de l'observation). De plus, vous pourrez également voir les lunes de Jupiter en orbite autour de la planète géante. Saturne et ses magnifiques anneaux sont facilement visibles à puissance moyenne.



## **Conseils d'observation des planètes**

- N'oubliez pas que les conditions atmosphériques constituent habituellement le facteur déterminant de la quantité de détails visibles. Par conséquent, évitez d'observer les planètes lorsqu'elles sont basses sur la ligne d'horizon ou lorsqu'elles sont directement au-dessus d'une source de chaleur rayonnante, comme un toit ou une cheminée. Consultez les « Conditions de visibilité » plus loin dans ce chapitre.
- Pour augmenter le contraste et distinguer les détails de la surface des planètes, essayez d'utiliser les filtres d'oculaire Celestron.

## **Observation du Soleil**

Bien que le Soleil soit souvent délaissé par de nombreux astronomes amateurs, son observation se révèle à la fois enrichissante et ludique. Toutefois, en raison de sa très forte luminosité, des précautions spéciales doivent être prises pour éviter toute blessure oculaire ou tout dommage du télescope.

Pour observer le Soleil en toute sécurité, utilisez un filtre solaire adapté de manière à réduire l'intensité de la lumière solaire pour une observation sans danger. Avec un filtre, vous pouvez observer les taches solaires qui se déplacent sur le disque solaire et la facule, qui sont des zones lumineuses visibles sur la bordure du Soleil.

- Les moments les plus propices à l'observation du Soleil sont le début de la matinée et la fin de l'après-midi, lorsque la température se rafraîchit.
- Pour centrer le Soleil sans regarder dans l'oculaire, observez l'ombre du tube du télescope jusqu'à ce que ce dernier forme une ombre circulaire.

## Observation d'objets du ciel profond

Les objets du ciel profond sont ceux situés en dehors de notre système solaire. Il s'agit d'amas stellaires, de nébuleuses planétaires, de nébuleuses diffuses, d'étoiles doubles et d'autres galaxies situées hors de la Voie lactée. La plupart des objets du ciel profond possèdent une grande taille angulaire. Un télescope de puissance faible à modérée suffit donc à les observer. D'un point de vue visuel, ils sont trop peu lumineux pour révéler les couleurs qui apparaissent sur les photographies à longue exposition. Ils sont d'ailleurs visibles en noir et blanc. Et, en raison de leur faible luminosité de surface, il faudrait les observer à partir d'un point obscur du ciel. La pollution lumineuse autour des grands centres urbains masque la plupart des nébuleuses, ce qui les rend difficiles, sinon impossibles, à observer. Les filtres de réduction de la pollution lumineuse aident à réduire la luminosité du ciel en arrière-plan, ce qui a pour effet d'augmenter le contraste.

### Conditions de visibilité

Les conditions de visibilité affectent ce que vous voyez dans le télescope pendant une séance d'observation. Les conditions suivantes affectent l'observation : transparence, luminosité du ciel et visibilité. La compréhension des conditions d'observation et de leurs effets sur l'observation vous permettra de tirer le meilleur parti de votre télescope.

#### Transparence

La transparence se définit par la clarté atmosphérique et la manière dont elle est affectée par les nuages, l'humidité et les particules aéroportées. Les cumulus épais sont complètement opaques, alors que les cirrus peuvent être fins et laisser passer la lumière des étoiles les plus brillantes. Les ciels voilés absorbent davantage la lumière que les ciels dégagés, ce qui rend les astres peu lumineux plus difficiles à voir et réduit le contraste des astres les plus brillants. Les aérosols éjectés dans l'atmosphère supérieure par les éruptions volcaniques affectent également la transparence. L'idéal est un ciel nocturne noir comme l'encre.

#### Luminosité du ciel

La luminosité générale du ciel, due à la Lune, aux aurores, à la luminance naturelle du ciel et à la pollution lumineuse affecte grandement la transparence. Tandis que ces phénomènes n'affectent pas la visibilité des étoiles et planètes les plus brillantes, les ciels lumineux réduisent le contraste des nébuleuses étendues qui deviennent difficiles, sinon impossibles à distinguer. Pour optimiser vos observations, limitez vos séances d'astronomie au ciel profond des nuits sans Lune, loin des ciels pollués par la lumière des grands centres urbains. Des filtres de réduction de la pollution lumineuse (filtres RPL) améliorent la vision du ciel profond dans les régions polluées par la lumière en atténuant la clarté indésirable tout en transmettant la luminosité de certains objets du ciel profond. Vous pouvez par ailleurs observer les planètes et étoiles à partir de régions polluées par la lumière ou encore lorsque la Lune est visible.

#### Visibilité

Les conditions de visibilité ont trait à la stabilité de l'atmosphère et affectent directement la quantité de menus détails des objets étendus observés. L'air de notre atmosphère agit comme une lentille qui courbe et déforme les rayons lumineux incidents. L'inclinaison de la courbure dépend de la densité de l'air. La densité des différentes couches de températures varie tout en affectant la courbure des rayons lumineux. Les rayons lumineux émanant d'un même objet arrivent avec un léger décalage, créant une image imparfaite ou maculée. Ces perturbations atmosphériques varient en fonction du temps et de la position. C'est la taille des particules aériennes par rapport à l'ouverture que vous possédez qui permet de déterminer la qualité de la visibilité. Lorsque la visibilité est bonne, on aperçoit les menus détails des planètes brillantes telles que Jupiter et Mars, tandis que les étoiles apparaissent en images ponctuelles. Lorsque la visibilité est mauvaise, les images sont floues tandis que les étoiles ressemblent à des taches miroitantes.

Les conditions décrites ici même s'appliquent à l'observation visuelle et photographique.



Figure 5-1

Conditions de visibilité affectant directement la qualité de l'image. Ces dessins représentent une source de points (autrement dit une étoile) dans des conditions de visibilité variant de médiocres (gauche) à excellentes (droite). Le plus souvent, les conditions de visibilité produisent des images situées entre ces deux extrêmes.

# **CELESTRON** **Astrophotographie**

La série de télescopes PowerSeeker a été conçue pour l'observation visuelle. Après avoir observé le ciel nocturne pendant quelque temps, vous aurez sans doute envie de le photographier. Il existe plusieurs formes de photographie possibles avec votre télescope pour les poursuites célestes aussi bien que terrestres. Vous trouverez ci-dessous une brève explication des différentes méthodes de photographie disponibles et nous vous suggérons de consulter des ouvrages traitant de ce sujet pour obtenir des informations détaillées.

Vous devez posséder, au minimum, un appareil photo numérique ou un SLR de 35 mm. Installez votre appareil photo sur le télescope avec :

- Appareil photo numérique – vous devrez utiliser l'adaptateur universel pour appareil photo numérique (Réf. 93626). L'adaptateur permet à l'appareil photo d'être installé de manière rigide pour l'astrophotographie terrestre de même qu'avec un foyer primaire.
- Appareil photo SLR 35 mm – vous devrez retirer votre objectif de l'appareil photo et fixer une bague en T adaptée à la marque de votre appareil. Il vous faudra ensuite un adaptateur en T (Réf. 93625) pour fixer l'une des extrémités de la bague en T dessus et l'autre sur le tube de mise au point du télescope. L'objectif de l'appareil photo est maintenant transformé en télescope.

## **Photographie au foyer primaire et courte exposition**

La photographie au foyer primaire et courte exposition est le meilleur moyen de débiter l'imagerie d'objets célestes. Pour cela, il suffit d'installer votre appareil photo sur le télescope comme expliqué au paragraphe ci-dessus. Quelques observations à garder à l'esprit :

- Effectuez l'alignement polaire du télescope et démarrez l'entraînement moteur en option pour la recherche.
- Vous pouvez saisir une image de la Lune de même que des planètes brillantes. Il vous faudra expérimenter avec plusieurs réglages et durées d'exposition. Vous pouvez obtenir de plus amples informations avec le mode d'emploi de votre appareil photo pour compléter les renseignements obtenus dans des ouvrages détaillés sur le sujet.
- Faites vos photographies à partir d'un site d'observation céleste sombre si possible.

## **Photographie « Piggyback » (fixation de l'appareil sur le télescope)**



Figure 6-1

Réalisable avec les modèles 70EQ, 80EQ, 114EQ et 127EQ, la photographie Piggyback s'effectue en installant l'appareil photo et son objectif classique sur le dessus du télescope. Avec cette méthode, vous pouvez capturer des constellations entières et des nébuleuses de grande échelle. Installez votre appareil photo sur la vis de l'adaptateur Piggyback (Figure 6-1) situé sur le dessus de l'adaptateur du tube (votre appareil photo doit être équipé d'un trou fileté sur la partie inférieure pour y introduire la vis). Vous devrez effectuer l'alignement polaire du télescope et démarrer l'entraînement moteur en option pour la recherche.

## **Photographie planétaire et lunaire avec imageurs spéciaux**

Une technologie récente a évolué, permettant de prendre relativement facilement de superbes images des planètes et de la Lune, avec des résultats surprenants. Celestron a créé le NexImage (Réf. 93712), un appareil photo spécialisé comprenant un logiciel de traitement d'images. Dès votre première nuit d'observation, vous pouvez capturer des images planétaires qui rivalisent avec ce que faisaient les professionnels équipés de gros télescopes il y a seulement quelques années.

## **Imagerie CCD pour les objets du ciel profond**

Des appareils photos spéciaux ont été mis au point pour photographier le ciel profond. Ces articles ont évolué au cours des dernières années et sont devenus beaucoup plus économiques, permettant ainsi aux amateurs de réaliser des photos sensationnelles. Il existe en outre plusieurs ouvrages expliquant comment obtenir les meilleures photos possibles. La technologie continue à évoluer en mettant sur le marché des produits de plus en plus performants et simples à utiliser.

## **Photographie terrestre**

Votre télescope constitue un excellent téléobjectif pour la photographie terrestre. Vous pouvez immortaliser ainsi des panoramas variés, la faune et la flore et quasiment tout ce qui vous intéresse. Il vous faudra expérimenter avec la mise au point, les vitesses, etc., pour parvenir à la meilleure image souhaitée. Vous pouvez adapter votre appareil photo en suivant les instructions indiquées en haut de cette page.



# **Entretien du télescope**

Bien que votre télescope n'exige qu'un entretien minimum, certaines précautions sont nécessaires pour garantir le fonctionnement optimum de cet instrument.

## **Entretien et nettoyage des éléments optiques**

Il est possible que des traces de poussière et/ou d'humidité s'accumulent de temps à autre sur l'objectif ou le miroir primaire, selon le type de télescope que vous possédez. Veillez à prendre les précautions qui s'imposent lors du nettoyage de l'instrument de manière à ne pas endommager les éléments optiques.

Si vous remarquez la présence de poussière sur l'objectif, vous pouvez l'éliminer avec une brosse (en poils de chameau) ou encore avec une cannette d'air pressurisé. Vaporisez pendant deux à quatre secondes en inclinant la cannette par rapport à la surface du verre. Utilisez ensuite une solution de nettoyage optique et un mouchoir en papier blanc pour retirer toute trace de résidu. Versez une petite quantité de solution sur le mouchoir, puis frottez les éléments optiques. Effectuez des mouvements légers, en partant du centre de l'objectif (ou du miroir) et en allant vers l'extérieur. **NE PAS effectuer de mouvements circulaires en frottant !**

Vous pouvez utiliser un nettoyeur pour objectifs du commerce ou encore fabriquer votre propre produit. Il est possible d'obtenir une solution de nettoyage tout à fait adaptée avec de l'alcool isopropylique et de l'eau distillée. Cette solution doit être composée de 60 % d'alcool isopropylique et 40 % d'eau distillée. Vous pouvez également utiliser du produit à vaisselle dilué dans de l'eau (quelques gouttes par litre d'eau).

Il est possible parfois que de la rosée s'accumule sur les éléments optiques de votre télescope pendant une séance d'observation. Si vous voulez poursuivre l'observation, il est nécessaire d'éliminer la rosée, soit à l'aide d'un sèche-cheveux (réglage le plus faible) ou en dirigeant le télescope vers le sol jusqu'à évaporation de la rosée.

En cas de condensation d'humidité à l'intérieur des éléments optiques, retirez les accessoires du télescope. Placez le télescope dans un environnement non poussiéreux et pointez-le vers le bas. Ceci permettra d'éliminer l'humidité du tube du télescope.

Pour éviter d'avoir à nettoyer votre télescope trop souvent, n'oubliez pas de remettre les caches sur toutes les lentilles après utilisation. Étant donné que les cellules ne sont PAS hermétiques, les caches doivent être replacés sur les ouvertures lorsque l'instrument n'est pas utilisé. Ceci permet de limiter l'infiltration du tube optique par tout type de contaminant.

Les réglages et nettoyages internes doivent être confiés impérativement au service après-vente de Celestron. Si votre télescope nécessite un nettoyage interne, veuillez contacter l'usine pour obtenir un numéro de réexpédition et un devis.

## **Collimation d'un télescope newtonien**

La performance optique de la plupart des télescopes réflecteurs newtoniens peut être optimisée par une nouvelle collimation (alignement) des éléments optiques du télescope, en fonction des besoins. Pour collimer le télescope, il suffit simplement d'équilibrer ses éléments optiques. Une mauvaise collimation donnera des aberrations et distorsions optiques.

Avant de collimer votre télescope, prenez le temps de vous familiariser avec tous ses composants. Le miroir primaire est le gros miroir situé à l'extrémité arrière du tube du télescope. Ce miroir se règle en desserrant et resserrant les trois vis, espacées de 120 degrés chacune, situées à l'extrémité du tube du télescope. Le miroir secondaire (le petit miroir en ellipse placé sous le dispositif de mise au point, à l'avant du tube) possède également trois vis de réglage (il vous faudra certains outils en option (décrits ci-dessous) pour procéder à la collimation. Pour déterminer si votre télescope a besoin d'une collimation, pointez-le d'abord vers un mur brillant ou dehors, sur un ciel bleu.

### **Alignement du miroir secondaire**

La procédure ci-dessous décrit la collimation de jour de votre télescope à l'aide de l'outil de collimation newtonien (Réf. 94183) offert par Celestron. Pour collimer le télescope sans l'outil de collimation, lisez le chapitre suivant sur la collimation nocturne sur des étoiles. Pour une collimation très précise, vous disposez de l'oculaire de collimation en option de 31,8 mm (1 ¼ po) (Réf. 94182) qui vous est proposé en option.

Si un oculaire est installé sur le dispositif de mise au point, retirez-le. Introduisez le tube du dispositif de mise au point complètement, en utilisant les molettes de mise au point, jusqu'à ce que le tube argenté cesse d'être visible. Vous regarderez dans le dispositif de mise au point le reflet du miroir secondaire projeté par le miroir primaire. Au cours de cette étape, ignorez le reflet du contour du miroir primaire. Insérez le bouchon de collimation dans le dispositif de mise au point et regardez à travers. Avec le dispositif de mise au point retiré jusqu'en bout de course, vous devriez voir la totalité du miroir primaire se réfléchissant sur le miroir secondaire. Si le miroir primaire n'est pas centré sur le miroir secondaire, réglez les vis du miroir secondaire en les desserrant et en les resserrant alternativement jusqu'à ce que la périphérie du miroir primaire soit centrée sur votre champ de vision. NE PAS desserrer ou resserrer la vis centrale du support du miroir secondaire car elle est destinée à maintenir ce miroir dans la bonne position.

## Alignement du miroir primaire

Vous devez ensuite régler les vis du miroir primaire pour centrer à nouveau le reflet du petit miroir secondaire, afin que le contour du miroir se détache sur le miroir primaire. Lorsque vous regardez dans le dispositif de mise au point, les contours des miroirs doivent avoir un aspect concentrique. Reprenez les étapes un et deux jusqu'à parvenir à ce résultat.

Retirez le bouchon de collimation et regardez dans le dispositif de mise au point, où vous devriez voir votre œil se réfléchir dans le miroir secondaire.

**Retirez le bouchon de collimation et regardez dans le dispositif de mise au point, où vous devriez voir votre œil se réfléchir dans le miroir secondaire.**

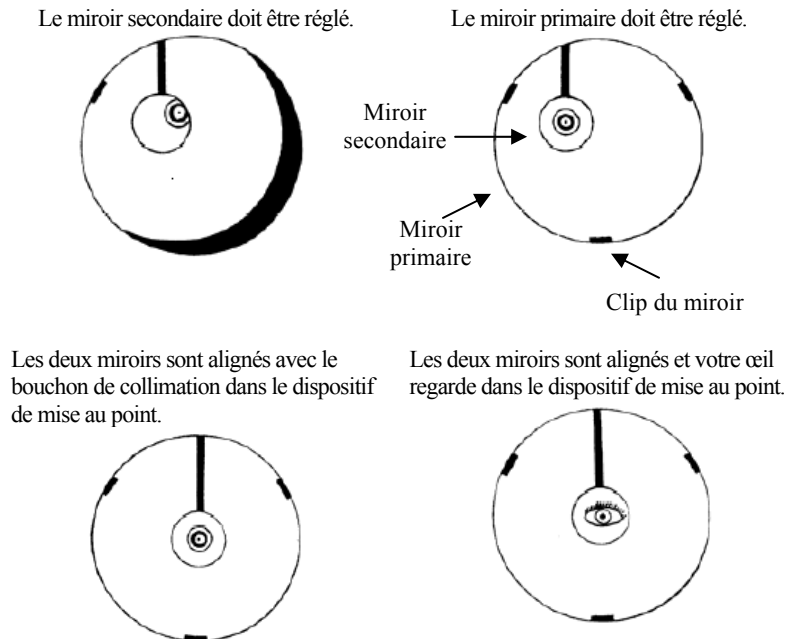


Figure 7-1 PowerSeeker 114EQ

## Collimation de nuit sur des étoiles

Après avoir effectué avec succès la collimation de jour, la collimation de nuit sur des étoiles peut s'effectuer en réglant précisément le miroir primaire pendant que le tube de télescope est placé sur sa monture et pointé sur une étoile brillante. Le télescope devrait être réglé pour une observation de nuit et l'image de l'étoile devrait être étudiée à une puissance de grossissement variant de moyenne à élevée (grossissement de 30 à 60 par pouce d'ouverture). Si un modèle de mise au point non symétrique apparaît, il peut être possible de rectifier ce phénomène en effectuant à nouveau la collimation du miroir primaire uniquement.

### Procédure (Veuillez lire ces instructions intégralement avant de commencer) :

Pour collimater une étoile de l'hémisphère nord, pointez l'instrument sur une étoile fixe telle que l'étoile Polaire. Vous trouverez cette étoile au nord dans le ciel, à une distance au-dessus de l'horizon équivalente à votre latitude. Il s'agit également de la dernière étoile du manche de la 'petite casserole' ou Petite Ourse. L'étoile Polaire n'est pas l'étoile la plus lumineuse du ciel et elle peut parfois être assez pâle, selon les conditions atmosphériques. Dans l'hémisphère sud, pointez sur Sigma Octantis.

Avant de recommencer la collimation du miroir primaire, repérez les vis de collimation situées à l'arrière du tube du télescope. La cellule arrière (illustrée en Figure 7-1) possède trois grosses vis moletées (certains modèles ne sont pas équipés de vis moletées) qui servent à la collimation et trois petites vis moletées permettant de verrouiller le miroir en position. Les vis de collimation servent à incliner le miroir primaire. Il faut commencer par desserrer les petites vis moletées de quelques tours chacune. Normalement,  $\frac{1}{8}$  de tour suffira, et le maximum requis pour les grosses vis de collimation n'ira pas au-delà de  $\frac{1}{2}$  à  $\frac{3}{4}$  de tour. Dévissez chaque vis de collimation une par une et, à l'aide de l'outil de collimation ou de l'oculaire, examinez comment la collimation est affectée (voir le paragraphe ci-dessous). Il peut être nécessaire d'effectuer plusieurs essais, mais vous parviendrez éventuellement à l'alignement souhaité.

Il est préférable d'utiliser l'outil de collimation en option ou un oculaire collimateur. Regardez dans le dispositif de mise au point et vérifiez si le reflet du miroir secondaire s'est rapproché du centre du miroir primaire.

Après avoir centré l'étoile Polaire ou une étoile brillante dans le champ de vision, faites la mise au point avec l'oculaire standard ou votre oculaire le plus puissant, c'est-à-dire celui qui a la plus petite distance focale, soit 6 mm ou 4 mm par exemple. L'autre option consiste à utiliser un oculaire de distance focale plus importante avec une lentille de Barlow. Lorsque l'étoile est nette, elle devrait avoir l'aspect d'un point lumineux très précis. Si, lors de la mise au point sur l'étoile, elle apparaît de forme irrégulière ou avec un halo lumineux sur les bords, cela signifie que vos miroirs sont mal alignés. Si vous remarquez l'existence d'un halo lumineux sur l'étoile qui ne se déplace pas et reste stable, lorsque vous effectuez votre mise au point, une nouvelle collimation permettra alors d'obtenir une image nette.

Lorsque vous êtes satisfait de votre collimation, resserrez les petites vis de blocage.



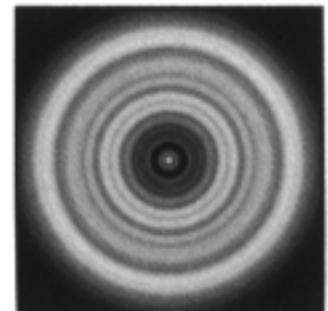
**Figure. 7-2**

Bien que les dessins de l'étoile semblent identiques des deux côtés de la mise au point, ils sont asymétriques. L'obscurcissement est dévié du côté gauche du dessin de la diffraction, indiquant par là une mauvaise calibration.

Notez dans quel sens la lumière semble augmenter. Par exemple, si le halo semble survenir sur la position trois heures du champ de vision, vous devez alors déplacer la vis ou le jeu de vis de collimation nécessaires pour déplacer l'image de l'étoile en direction du halo. Dans cet exemple, le but est d'amener l'image de l'étoile dans votre oculaire, en réglant les vis de collimation, en direction de la position trois heures du champ de vision. Le réglage d'une seule vis peut suffire à déplacer suffisamment l'image de l'étoile du centre du champ de vision à mi-chemin environ, ou moins, vers le bord du champ (lorsque l'on utilise un oculaire à fort grossissement).

Les réglages de la collimation donnent de meilleurs résultats lorsque l'on observe la position de l'étoile dans le champ de vision en tournant simultanément les vis de réglage. De cette façon, il est possible de voir exactement dans quel sens a lieu le mouvement. Il peut être utile d'effectuer cette procédure à deux : une personne qui observe et indique quelles vis tourner et de combien, pendant que l'autre procède aux réglages.

**IMPORTANT :** Après avoir effectué le premier réglage, ou chaque réglage, il est nécessaire de réorienter le tube du télescope pour ramener l'étoile au centre du champ de vision. On peut estimer la symétrie de l'image de l'étoile en s'éloignant ou en se rapprochant d'une mise au point précise et en notant le dessin de l'étoile. Si des réglages adéquats sont effectués, on devrait constater une amélioration. Étant donné qu'il existe trois vis, il peut être nécessaire d'en régler au moins deux pour parvenir au mouvement nécessaire du miroir.



**Figure 7-3**

Un télescope collimaté devrait avoir l'allure d'un dessin d'anneaux symétriques similaire au disque de diffraction observé ici.



## Accessoires en option

Vous trouverez des accessoires supplémentaires pour votre télescope PowerSeeker qui amélioreront la qualité de vos observations tout en augmentant l'utilité de votre télescope. Vous trouverez ci-dessous une liste d'accessoires variés accompagnée d'une brève description. Visitez le site web de Celestron ou consultez le Catalogue d'accessoires Celestron pour obtenir des descriptions détaillées et vous renseigner sur tous les accessoires disponibles.

**Cartes du ciel (Réf. 93722)** – Les cartes du ciel Celestron constituent le guide d'apprentissage idéal du ciel nocturne. Même dans le cas où vous connaissez déjà la plupart des constellations, ces cartes aident à localiser de nombreux astres fascinants.



**Oculaires Omni Plossl** – De prix économique, ces oculaires permettent des observations d'une netteté irréprochable sur la totalité du champ de vision. Ces oculaires ont un montage de lentille à 4 éléments et possèdent les distances focales suivantes : 4 mm, 6 mm, 9 mm, 12,5 mm, 15 mm, 20 mm, 25 mm, 32 mm et 40 mm – tous avec des barillets de 31 mm (1,25 po).

**Lentille de Barlow Omni (Réf. 93326)** – Utilisée avec n'importe quel oculaire, elle en double le grossissement. Une lentille de Barlow est une lentille négative qui augmente la distance focale d'un télescope. L'Omni 2x est un barillet de 31 mm (1,25 po), de moins de 76 mm (3 po) de long et ne pesant que 113 g (4 oz).

**Filtre lunaire (Réf. 94119-A)** – Le filtre lunaire est un filtre d'oculaire économique de 31 mm (1,25 po) qui réduit la luminosité de la Lune et améliore le contraste, permettant ainsi d'observer un plus grand nombre de détails sur la surface de la Lune.



**Filtre UHC/RPL de réduction de la pollution lumineuse 31 mm (1,25 po) (Réf. 94123)** – Ce filtre est conçu pour améliorer l'observation des objets astronomiques du ciel profond à partir d'une zone urbaine. Le filtre réduit de manière sélective la transmission de certaines longueurs d'ondes lumineuses, en particulier celles produites par la lumière artificielle.

**Lampe torche de nuit – (Réf. 93588)** – Cette lampe torche Celestron comportant deux diodes LED rouges permet une meilleure préservation de la vision nocturne que les filtres rouges ou autres systèmes. Luminosité réglable. Fonctionne avec une seule pile de 9 volts incluse.

**Outil de collimation (Réf. 94183)** – La collimation de votre télescope newtonien s'effectuera aisément avec cet accessoire pratique accompagné d'instructions détaillées.

**Oculaire collimateur – 31 mm (1,25 po) (Réf. 94182)** – L'oculaire collimateur est idéal pour une collimation précise des télescopes newtoniens.

**Adaptateur d'appareil photo numérique – Universel (Réf. 93626)** Une plate-forme de fixation universelle qui vous permet de faire de la photographie afocale (photographie via l'oculaire d'un télescope) en vous servant de votre appareil photo numérique.



**Adaptateur en T– Universel 31 mm (1,25 po) (Réf. 93625)** – Cet adaptateur est prévu pour le dispositif de mise au point de 31 mm (1,25 po) de votre télescope. Il vous permet de fixer votre appareil photo SLR de 35 mm pour la photographie terrestre de même que la photographie lunaire et planétaire.

**Motorisation (Réf. 93514)**– La motorisation à un seul axe (A.D.) pour les télescopes PowerSeeker compense la rotation de la Terre en maintenant un objet dans le champ de vision de l'objectif. Ceci rend l'observation beaucoup plus agréable et élimine le recours constant aux commandes manuelles du contrôle lent.

<b>SPÉCIFICATIONS DU POWERSEEKER</b>					
<b>Numéro de modèle</b>	<b>21043</b>	<b>21037</b>	<b>21048</b>	<b>21045</b>	<b>21049</b>
<b>Description</b>	<b>PS 60EQ</b>	<b>PS 70EQ</b>	<b>PS 80EQ</b>	<b>PS 114EQ</b>	<b>PS 127EQ</b>
Conception optique	Lunette	Lunette	Lunette	Newtonien	Newtonien
Ouverture	60 mm (2,4 po)	70 mm (2,8 po)	80 mm (3,1 po)	114 mm (4,5 po)	127 mm (5 po)
Distance focale	900 mm	700 mm	900 mm	900 mm	1000 mm
Rapport focal	f/15	f/10	f/11	f/8	f/8
Revêtements optiques	Revêtement intégral	Revêtement intégral	Revêtement intégral	Revêtement intégral	Revêtement intégral
Chercheur	5x24	5x24	5x24	5x24	5x24
Renvoi à 90° 31 mm (1,25 po)	Redresseur d'images	Redresseur d'images	Redresseur d'images	s.o.	s.o.
Oculaires 31 mm (1,25 po)	20 mm (45x)	20mm (35x)	20 mm (45x)	20 mm Redresseur Image (45x)	20 mm Redresseur Image (50x)
	4 mm (225x)	4 mm (175x)	4 mm (225x)	4 mm (225x)	4 mm (250x)
Lentille de Barlow 3x 1,25 po	oui	oui	oui	oui	oui
Champ de vision angulaire avec oculaire 20 mm	1,1°	1,4°	1,1°	1,1°	1,0°
Champ de vision angulaire linéaire avec oculaire 20 mm – pi/1000 verges	58	74	58	58	53
Monture	Équatoriale	Équatoriale	Équatoriale	Équatoriale	Équatoriale
Cercles gradués A.D. et DÉC.	oui	oui	oui	oui	oui
Câbles de contrôle lent A.D. et DÉC.	oui	oui	oui	oui	oui
CD-ROM « The Sky » Niveau 1	oui	oui	oui	oui	oui
Grossissement maximum utile	142x	165x	189x	269x	300x
Magnitude limite stellaire	11,4	11,7	12,0	12,8	13,0
Résolution -- Raleigh (secondes d'arc)	2,31	1,98	1,73	1,21	1,09
Résolution – Limite Dawes " "	1,93	1,66	1,45	1,02	0,91
Puissance de captage de la lumière	73x	100x	131x	265x	329x
Contrepoids – poids approximatif (arrondi)	0,9 kg (2 lb)	1,8 kg (4 lb)	1,8kg (4 lb)	2,7kg (6 lb)	3,4 kg (7,5 lb)
Longueur du tube optique	97 cm (38 po)	76 cm (30 po)	94 cm (37 po)	89 cm (35 po)	46 cm (18 po)
Poids du télescope	6,4 kg (14 lb)	6,4 kg (14 lb)	8,2 kg (18 lb)	8,6 kg (19 lb)	10,0 kg (22 lb)
<b>Remarque : Les spécifications sont sujettes à des changements sans notification ou obligation.</b>					





## ***Telescopi serie PowerSeeker®***

### ***MANUALE DI ISTRUZIONI***

- *PowerSeeker 60EQ N. 21043*
- *PowerSeeker 70EQ N. 21037*
- *PowerSeeker 80EQ N. 21048*
- *PowerSeeker 114EQ N. 21045*
- *PowerSeeker 127EQ N. 21049*

# Indice analitico

INTRODUZIONE.....	3
ASSEMBLAGGIO .....	6
Approntamento del treppiedi .....	6
Collegamento della montatura equatoriale.....	7
Installazione della barra dei contrappesi .....	7
Collegamento dei cavi per movimento lento .....	8
Collegamento del tubo del telescopio alla montatura .....	8
Installazione del diagonale e dell'oculare (telescopio rifrattore) .....	9
Installazione dell'oculare sul telescopio di Newton.....	9
Installazione del cannocchiale cercatore.....	10
Allineamento del cannocchiale cercatore.....	10
Installazione e uso della lente di Barlow .....	10
Spostamento manuale del telescopio .....	11
Bilanciamento della montatura in A.R.....	11
Bilanciamento della montatura in Dec.....	11
Regolazione della montatura equatoriale.....	12
Regolazione della montatura in altezza .....	12
NOZIONI DI BASE SUL TELESCOPIO .....	13
Orientamento dell'immagine .....	14
Messa a fuoco .....	14
Calcolo dell'ingrandimento .....	14
Determinazione del campo visivo.....	15
Suggerimenti generali per l'osservazione.....	15
NOZIONI BASILARI DI ASTRONOMIA.....	16
Il sistema di coordinate celesti.....	16
Movimento delle stelle.....	16
Allineamento polare con la scala della latitudine .....	17
Centratura della stella polare .....	18
Come trovare il polo nord celeste.....	18
Allineamento polare nell'emisfero meridionale.....	19
Allineamento dei cerchi graduati.....	21
Azionamento a motore .....	22
OSSERVAZIONI CELESTI .....	23
Osservazione della luna .....	23
Osservazione dei pianeti.....	23
Osservazione del sole.....	23
Osservazione di oggetti del cielo profondo.....	24
Condizioni di visibilità.....	24
ASTROFOTOGRAFIA .....	25
Fotografia a fuoco primario con a breve tempo di esposizione .....	25
Fotografia "piggyback".....	25
Fotografia planetaria e lunare con speciali dispositivi per la creazione di immagini.....	25
Creazione di immagini CCD per oggetti del cielo profondo .....	25
Fotografia terrestre.....	25
MANUTENZIONE DEL TELESCOPIO.....	26
Cura e pulizia dell'ottica.....	26
Collimazione di un telescopio di Newton .....	26
ACCESSORI OPZIONALI .....	29
DATI TECNICI DEL POWERSEEKER .....	30



Congratulazioni per il vostro acquisto di un telescopio PowerSeeker. La serie di telescopi PowerSeeker offre svariati modelli diversi. Questo manuale descrive cinque modelli con montatura equatoriale alla tedesca --- un telescopio rifrattore da 60 mm, un telescopio rifrattore da 70 mm, un telescopio rifrattore da 80 mm, un telescopio di Newton da 114 mm e un telescopio di Newton da 127 mm. I telescopi della serie PowerSeeker sono realizzati con materiali della più alta qualità, per assicurarne la stabilità e la durata, rendendoli telescopi che vi consentiranno di divertirvi per tutta la loro durata utile, con una manutenzione minima.

Questi telescopi sono stati concepiti per chi acquista un telescopio per la prima volta, ed offrono un valore eccezionale. La serie PowerSeeker presenta un design piccolo e portatile, ma le sue ampie prestazioni ottiche faranno appassionare qualsiasi nuovo utente al mondo dell'astronomia per dilettanti.

I telescopi PowerSeeker sono coperti da una **garanzia limitata di due anni**. Per i dettagli, consultate il nostro sito Web all'indirizzo [www.celestron.com](http://www.celestron.com)

Ecco alcune delle tante funzioni standard del PowerSeeker.

- Tutti gli elementi ottici in vetro sono rivestiti, per offrire immagini chiare e nitide.
- Montatura equatoriale rigida, dal funzionamento fluido, con cerchi graduati su entrambi gli assi.
- Treppiedi in alluminio preassemblato che garantisce una piattaforma stabile.
- Approntamento rapido e facile che non richiede utensili.
- CD-ROM "The Sky" (Il cielo) Livello 1 – software astronomico che offre all'utente informazioni sul cielo e mappe stellari stampabili.
- Tutti i modelli possono essere usati per osservazioni sia terrestri che astronomiche con gli accessori standard in dotazione.

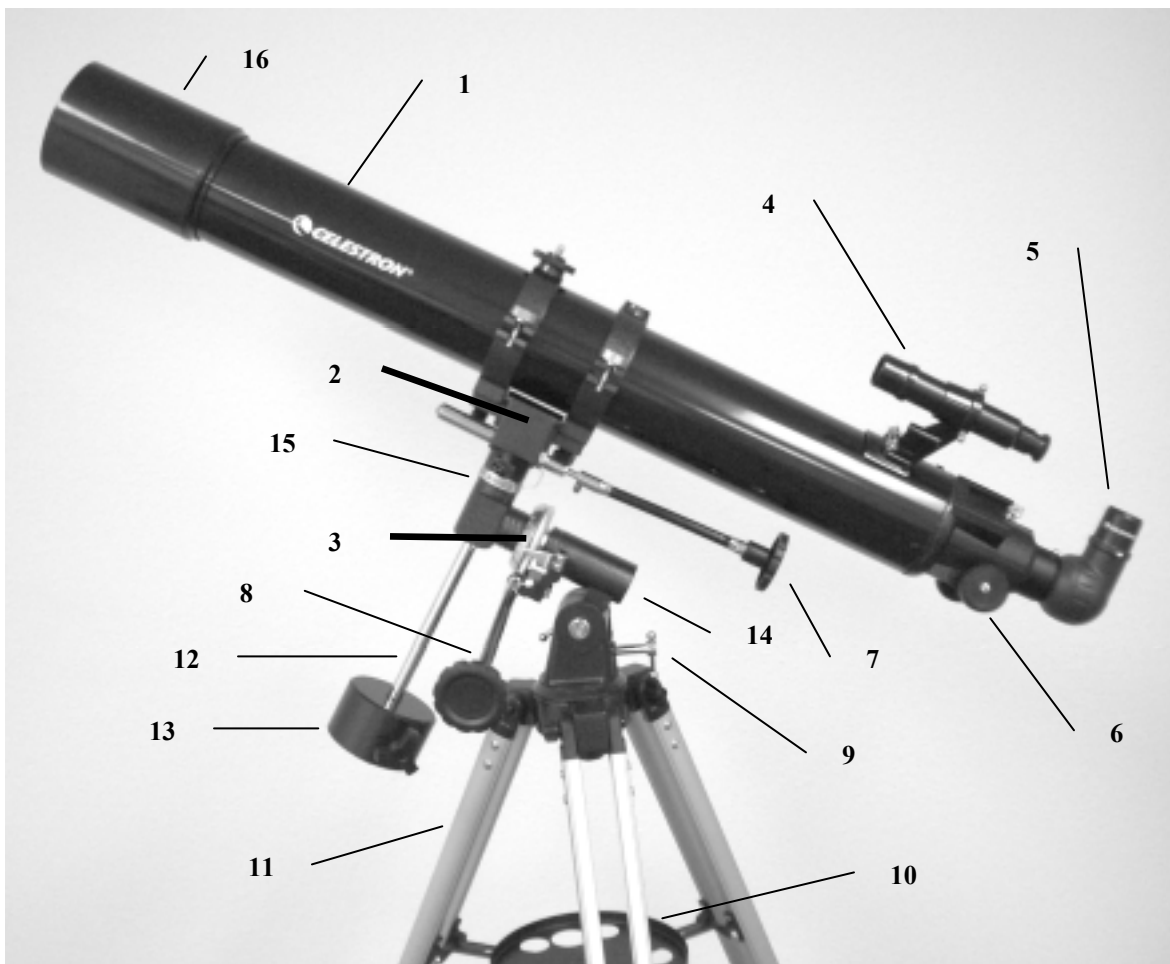
Prima di iniziare il vostro viaggio attraverso l'universo, leggete attentamente questo manuale. Potrebbero essere necessarie alcune sedute di osservazione per acquisire dimestichezza con il telescopio: vi consigliamo quindi di tenere a portata di mano questo manuale fino a quando non sarete diventati esperti nel funzionamento del vostro dispositivo. Il manuale offre informazioni dettagliate su ogni procedura, oltre ad importanti materiali di riferimento e suggerimenti utili che renderanno la vostra esperienza di osservazione il più semplice e godibile possibile.

Il telescopio è stato concepito per offrirvi anni di osservazioni divertenti e gratificanti. Prima di usare il telescopio, occorre tuttavia prendere in considerazione alcune avvertenze che assicureranno la vostra sicurezza e proteggeranno l'apparecchiatura.

## Avvertenze

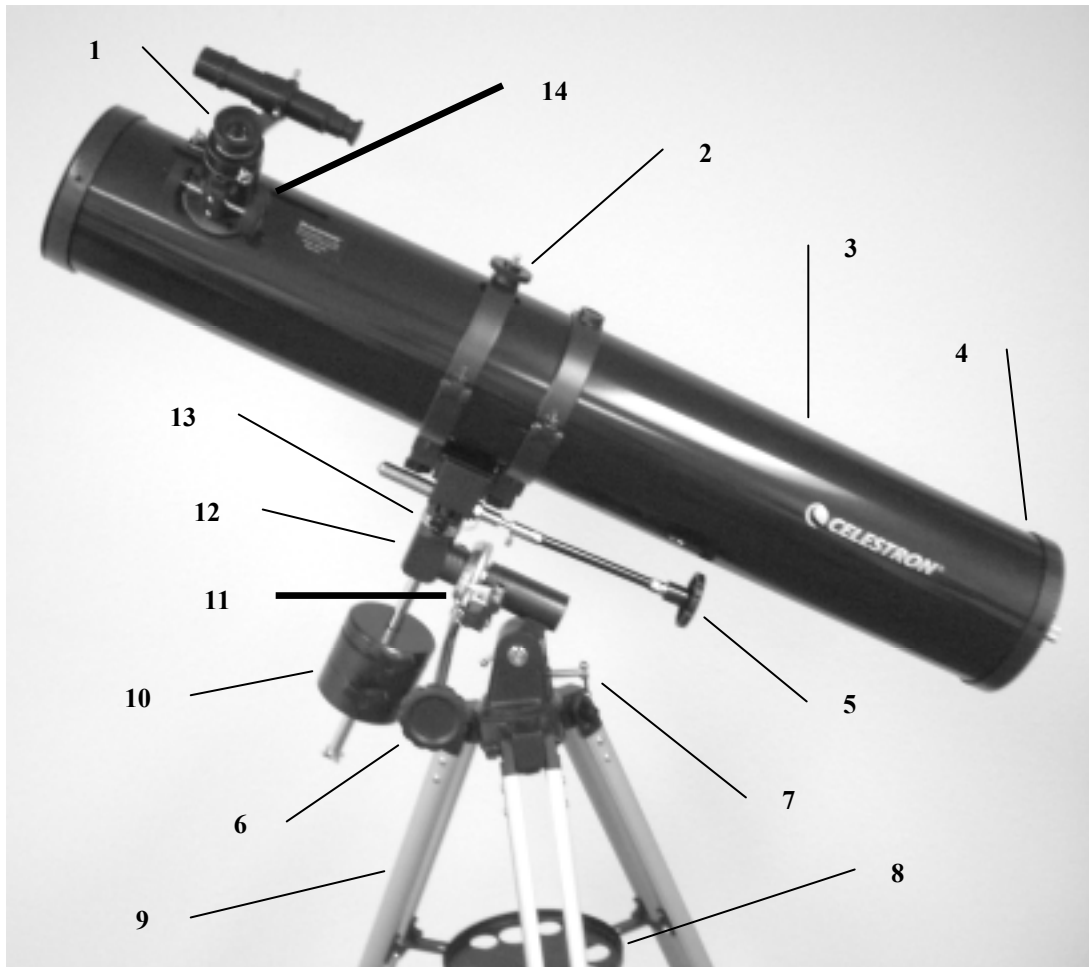


- **Non guardate mai direttamente il sole ad occhio nudo né con il telescopio (a meno che non disponiate dell'apposito filtro solare), onde evitare danni permanenti e irreversibili agli occhi.**
- **Non usate mai il telescopio per proiettare un'immagine del sole su qualsiasi superficie. Un surriscaldamento interno può danneggiare il telescopio e qualsiasi accessorio ad esso collegato.**
- **Non usate mai un filtro solare per oculare né un prisma di Herschel. Il surriscaldamento interno del telescopio può causare l'incrinatura o la rottura di questi dispositivi, permettendo alla luce solare non filtrata di penetrare e raggiungere l'occhio.**
- **Non lasciate il telescopio senza supervisione, sia quando sono presenti bambini che quando sono presenti adulti che potrebbero non conoscere le giuste procedure operative del telescopio.**



**Figura 1-1 Telescopio rifrattore PowerSeeker 80EQ**  
 Il PowerSeeker 60EQ e il PowerSeeker 70EQ sono simili

1.	Tubo ottico del telescopio	9.	Vite di regolazione della latitudine
2.	Staffa di montaggio con anelli del tubo	10.	Vassoio portaccessori del treppiedi
3.	Cerchio graduato di A.R.	11.	Treppiedi
4.	Cannocchiale cercatore	12.	Barra dei contrappesi
5.	Oculare e diagonale	13.	Contrappeso
6.	Manopola di messa a fuoco	14.	Montatura equatoriale
7.	Cavo per movimento in declinazione lento	15.	Cerchio graduato di declinazione
8.	Cavo per movimento in A.R. lento	16.	Lente dell'obiettivo



**Figura 1-2 Telescopio di Newton PowerSeeker 114EQ**  
 Il telescopio di Newton PowerSeeker 127EQ è simile

1.	Oculare	8.	Vassoio portaccessori del treppiedi
2.	Anello del tubo	9.	Treppiedi
3.	Tubo ottico del telescopio	10.	Contrappeso
4.	Specchio primario	11.	Cerchio graduato di A.R.
5.	Cavo per movimento in declinazione lento	12.	Montatura equatoriale
6.	Cavo per movimento in A.R. lento	13.	Cerchio graduato di declinazione
7.	Vite di regolazione della latitudine	14.	Manopola di messa a fuoco

Questa sezione descrive le istruzioni di assemblaggio del telescopio PowerSeeker. Il telescopio deve essere approntato per la prima volta all'interno, in modo che sia più facile identificare le sue varie parti e imparare la corretta procedura di assemblaggio prima di avventurarsi all'esterno.

Ogni PowerSeeker viene spedito in una scatola. I componenti nella scatola sono: tubo ottico, anelli del tubo (eccetto che nel 60EQ), montatura equatoriale alla tedesca, barra dei contrappesi, contrappesi, cavi per movimento lento in A.R e in declinazione, oculare da 4 mm (1,25 pollici), oculare da 20 mm (1,25 pollici); raddrizzatore dell'immagine per i modelli 114EQ e 127EQ, diagonale raddrizzatore dell'immagine (1,25 pollici); per i modelli 60EQ, 70EQ e 80EQ, lente di Barlow da 3x (1,25 pollici), CD-ROM "The Sky" Livello 1.

## **Approntamento del treppiedi**

1. Estrarre il treppiedi dalla scatola (Figura 2-1). Il treppiedi è già preassemblato, e il suo approntamento è quindi molto facile.
2. Mettere in piedi il treppiedi e allargarne le gambe fino ad estenderle completamente; quindi spingere leggermente verso il basso il supporto delle gambe (Figura 2-2). La sommità del treppiedi si chiama testa del treppiedi.
3. Ora, installare il vassoio portaccessori del treppiedi (Figura 2-3) sul supporto delle gambe del treppiedi (centro della Figura 2-2).
4. Sulla parte inferiore del vassoio portaccessori del treppiedi si trova una vite fissata al centro. La vite viene fissata ad un foro filettato al centro del supporto delle gambe girandola in senso antiorario. Notare: occorre tirare leggermente verso l'alto il supporto delle gambe del treppiedi per facilitare il collegamento. Continuare a girare il vassoio fino a quando non risulta fissato, senza serrarlo eccessivamente.



**Figura 2-1**



**Figura 2-2**

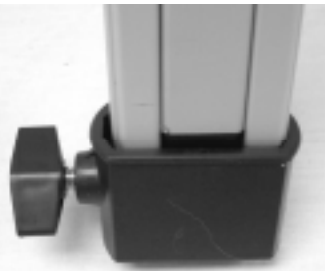


**Figura 2-3**

5. Il treppiedi è ora completamente montato (Figura 2-4).
6. Si possono estendere le gambe del treppiedi fino alla lunghezza desiderata. Il livello più basso del treppiedi è di 26 pollici (66 cm), e si può estendere fino a 47 pollici (119 cm). Per regolare l'altezza, si allentano le manopole di bloccaggio nella parte inferiore di ciascuna gamba del treppiedi (Figura 2-5) girandole in senso antiorario, e poi si estraggono le gambe fino all'altezza desiderata; quindi si serrano bene le manopole. Un treppiedi esteso completamente viene mostrato nella Figura 2-6.
7. Il treppiedi risulterà più rigido e stabile alle altezze inferiori.



**Figura 2-4**



**Figura 2-5**



**Figura 2-6**

## Collegamento della montatura equatoriale

La montatura equatoriale permette all'utente di inclinare l'asse di rotazione del telescopio in modo da poter inseguire le stelle mentre si spostano attraverso il cielo. La montatura del PowerSeeker è una montatura equatoriale alla tedesca che si fissa alla testa del treppiedi. Per collegare la montatura, effettuare le seguenti operazioni.

1. Estrarre la montatura equatoriale dalla scatola (Figura 2-8). La montatura ha fissato su di essa il bullone di bloccaggio della latitudine (Figura 2-27). La vite di regolazione della latitudine si collega al foro filettato presente nella montatura, come mostrato nella Figura 2-10.
2. La montatura si collega alla testa del treppiedi e più specificamente alla manopola con bullone fissata sotto la testa del treppiedi (Figura 2-7). Spingere la montatura (la grande porzione piatta con un piccolo tubo che sporge) nel foro centrale della testa del treppiedi fino a quando non resta a filo e non risulta bene alloggiata. Poi passare l'altra mano sotto la testa del treppiedi e girare in senso antiorario la manopola, avvitandola nella parte inferiore della montatura. Continuare a girare la manopola fino a quando non risulta ben serrata. La montatura completamente assemblata al treppiedi è illustrata nella Figura 2-9.



Figura 2-7



Figura 2-8



Figura 2-9



Figura 2-10

## Installazione della barra dei contrappesi

Per assicurare l'equilibrio stabile del telescopio, la montatura ha in dotazione una barra dei contrappesi ed uno o due contrappesi, a seconda del modello. Ecco come installarli.

1. Togliere la vite di sicurezza dei contrappesi dalla barra dei contrappesi (sull'estremità opposta dell'asta filettata) svitandola in senso antiorario – vedere la Figura 2-11.
2. Installare la parte con filettatura grossa della barra dei contrappesi nel foro filettato presente nell'asse di Dec. della montatura, e girarla in senso orario – vedere la Figura 2-12 – finché non risulta ben fissa. Ora si è pronti a collegare il contrappeso o i contrappesi.
3. Orientare la montatura in modo che la barra dei contrappesi sia rivolta verso il suolo.
4. Allentare la manopola di bloccaggio sul lato del contrappeso in modo che i filetti non sporgano attraverso il foro centrale del contrappeso.
5. Far scorrere verso l'alto il contrappeso sulla sua barra fino a circa metà strada e serrare bene la manopola di bloccaggio. L'orientamento corretto del peso è mostrato nella Figura 2-13.
6. Far scivolare verso l'alto il secondo contrappeso (se in dotazione con il proprio modello) sulla sua barra fino a quando non resta a filo contro il primo, e poi bloccarlo bene in posizione.
7. Reinserire la vite di sicurezza e serrarla bene. Il gruppo assemblato è mostrato nella Figura 2-13.



Figura 2-11



Figura 2-12

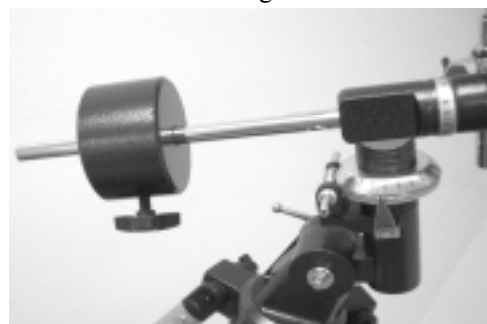


Figura 2-13

## Collegamento dei cavi per movimento lento

La montatura del PowerSeeker ha in dotazione due cavi per movimento lento che permettono all'utente di apportare piccole regolazioni (dette micrometriche) al telescopio, sia in A.R. che in declinazione. Per installare i cavi, procedere nel modo seguente.

1. Individuare i due cavi dotati di manopole. Il più lungo è quello per l'asse di A.R.; assicurarsi che la vite presente su ciascuna estremità dei cavi non sporga attraverso l'apertura.
2. Far scorrere il cavo sull'asse di A.R. (vedere la Figura 2-14) in modo che la vite risulti sopra la scanalatura nell'asse di A.R. Notare che ci sono due assi di A.R., uno su ciascun lato della montatura. Non importa quale asse si usa, poiché entrambi funzionano allo stesso modo (tranne quando si usa un azionamento a motore). Usare quello che si considera più comodo.
3. Serrare la vite sul cavo per A.R. per fissarlo bene in posizione.
4. Il cavo per movimento lento in DEC si fissa allo stesso modo del cavo per A.R. L'asse su cui si fissa la manopola per il movimento lento in DEC si trova verso la sommità della montatura, subito sotto la piattaforma di montaggio del telescopio.



**Figura 2-14**

Asse A.R. in basso, sotto il cerchio graduato di A.R.  
Asse Dec. in alto, sopra il cerchio graduato di Dec.



**Figura 2-15**

Cavi per A.R. e Dec. collegati

## Collegamento del tubo del telescopio alla montatura

Il tubo ottico del telescopio si collega alla montatura equatoriale con anelli del tubo (tranne che sul 60EQ) che lo sostengono sulla staffa di montaggio sulla parte superiore della montatura (Figura 2-16). Per il telescopio rifrattore 60EQ, il tubo si monta direttamente sulla staffa di montaggio con le viti prigioniere fissate al tubo ottico. **Prima di collegare il tubo ottico, assicurarsi che le manopole di bloccaggio della declinazione e dell'ascensione retta siano ben fissate (Figura 2-24). Poi assicurarsi che la vite di regolazione della latitudine e il bullone di bloccaggio della latitudine (Figura 2-27) siano serrati.** Questo garantirà che la montatura non si sposti all'improvviso mentre si collega il tubo ottico del telescopio. Rimuovere inoltre il cappuccio della lente dell'obiettivo (telescopio rifrattore) o il cappuccio dell'apertura anteriore (telescopio di Newton). Per montare il tubo del telescopio, fare quanto segue.

1. Rimuovere la carta protettiva che copre il tubo ottico. Prima di rimuovere la carta, si dovranno rimuovere gli anelli del tubo (Figura 2-16).
2. Rimuovere le manopole dai perni filettati sulla parte inferiore degli anelli del tubo (Figura 2-16).
3. Ora far passare i perni attraverso i fori presenti sulla parte superiore della piattaforma di montaggio (Figura 2-17) e rimettere a posto le manopole serrandole; dovranno apparire come nella Figura 2-18.
4. Aprire gli anelli del tubo (allentare le grandi manopole cromate) in modo da poter inserire il tubo ottico.
5. Tenere con cautela il tubo ottico con una mano e centrarlo negli anelli del tubo; chiudere gli anelli e innestare e serrare le manopole zigriate degli anelli del tubo, come illustrato nella Figura 2-19.
6. Notare che è possibile anche collegare prima gli anelli del tubo al tubo ottico e fissare poi il tutto alla piattaforma di montaggio sulla montatura equatoriale; si tratta di preferenza personale.

**NOTA:** non allentare mai nessuna delle manopole sulla montatura o sul tubo del telescopio tranne le manopole per ascensione retta e declinazione.

**Suggerimento:** per ottenere la massima stabilità del telescopio e della montatura, assicurarsi che le manopole/viti che trattengono le gambe del treppiedi alla sua testa siano ben serrate.





Figura 2-16



Figura 2-17



Figura 2-18



Figura 2-3

## ***Installazione del diagonale e dell'oculare (telescopio rifrattore)***

Il diagonale è un prisma che devia la luce ad un angolo retto rispetto al percorso di luce del rifrattore. Questo permette all'utente di eseguire le osservazioni da una posizione più comoda rispetto a quella che occuperebbe se dovesse guardare direttamente attraverso il telescopio. Questo diagonale è un modello raddrizzatore d'immagine che corregge l'immagine in modo che risulti diritta e orientata correttamente da sinistra a destra, facilitando le osservazioni terrestri. Inoltre, il diagonale può essere ruotato in qualsiasi posizione che risulti più comoda per l'utilizzatore. Per installare il diagonale e gli oculari, fare quanto segue.

1. Inserire il piccolo barilotto del diagonale nell'adattatore per oculare da 1,25 pollici del tubo di messa a fuoco sul rifrattore – Figura 2-20. Assicurarsi che le due viti zigrinate sull'adattatore dell'oculare non sporgano nel tubo del focalizzatore prima dell'installazione, e che il coperchio a tappo sia rimosso dall'adattatore dell'oculare.
2. Inserire nel diagonale l'estremità a barilotto cromato di uno degli oculari e serrare la vite zigrinata. Ripetiamo, nell'eseguire questa operazione assicurarsi che la vite zigrinata non sporga nel diagonale prima di inserire l'oculare.
3. Gli oculari possono essere cambiati (per avere altre lunghezze focali) invertendo la procedura descritta al punto 2 qui sopra.



Figura 2-20

## ***Installazione dell'oculare sul telescopio di Newton***

L'oculare è un elemento ottico che ingrandisce l'immagine focalizzata dal telescopio. Senza l'oculare sarebbe impossibile usare il telescopio visivamente. La lunghezza focale e il diametro del barilotto sono gli elementi di riferimento più comuni dell'oculare. Più lunga è la lunghezza focale (ovvero più alto il suo numero), più basso è l'ingrandimento dell'oculare (ovvero la sua potenza). Di solito, l'utilizzatore impiegherà durante le sue osservazioni una potenza da bassa a moderata. Per ulteriori informazioni su come determinare la potenza, consultare la sezione "Calcolo dell'ingrandimento". L'oculare si inserisce perfettamente nel focalizzatore del telescopio di Newton. Per collegare gli oculari, effettuare le seguenti operazioni.

1. Assicurarsi che le viti zigrinate non sporgano nel tubo del focalizzatore. Inserire quindi il barilotto cromato degli oculari nel tubo del focalizzatore (togliere prima il coperchio a tappo del focalizzatore) e serrare le viti zigrinate – vedere la Figura 2-21.
2. L'oculare da 20 mm si chiama oculare raddrizzatore, perché corregge l'immagine in modo che non risulti capovolta e sia orientata lateralmente in modo corretto. Questo rende il telescopio utile per le visualizzazioni terrestri.
3. Gli oculari possono essere cambiati invertendo la procedura descritta sopra.



Figura 2-21

## Installazione del cannocchiale cercatore

Per installare il cannocchiale cercatore, procedere nel modo seguente.

1. Individuare il cannocchiale cercatore (sarà montato nella sua staffa) – vedere le Figure 1-1 e 1-2.
2. Togliere i dadi zigrinati situati sui perni filettati presenti sul tubo ottico – vedere la Figura 2-22.
3. Montare la staffa del cannocchiale cercatore posizionandola sopra i perni che sporgono dal tubo ottico e poi, tenendola ferma, avvitare i dadi zigrinati e serrarli – notare che il cannocchiale cercatore va orientato in modo che la lente di diametro superiore sia rivolta verso la parte anteriore del tubo ottico.
4. Togliere i cappucci delle lenti da entrambe le estremità del cannocchiale cercatore.



Figura 2-22

## Allineamento del cannocchiale cercatore

Per allineare il cannocchiale cercatore, attenersi ai seguenti procedimenti.

1. Di giorno, individuare un oggetto distante e centrarlo con un oculare a bassa potenza (20 mm) nel telescopio principale.
2. Guardare attraverso il cannocchiale cercatore (dalla parte del cannocchiale cercatore con l'oculare) e prendere nota della posizione dello stesso oggetto.
3. Senza spostare il telescopio principale, girare le viti zigrinate di regolazione situate attorno alla staffa del cannocchiale cercatore, fino a quando il mirino del cannocchiale non risulta centrato sull'oggetto scelto con il telescopio principale.

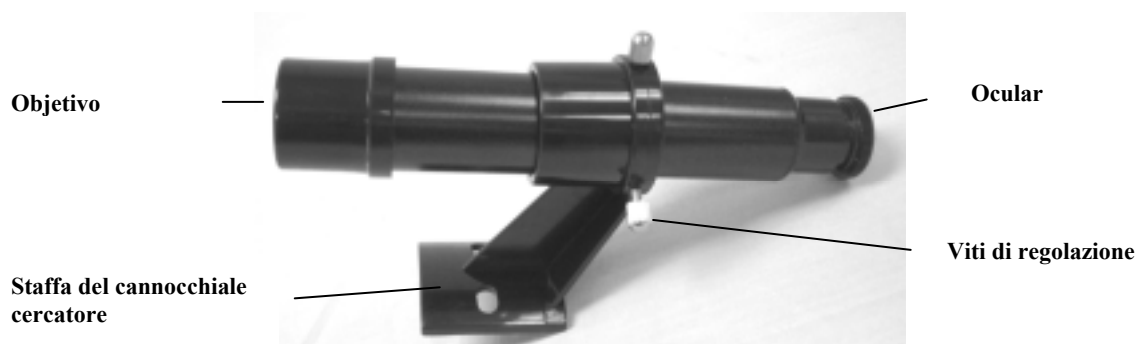


Figura 2-22a Cannocchiale cercatore con staffa

## Installazione e uso della lente di Barlow

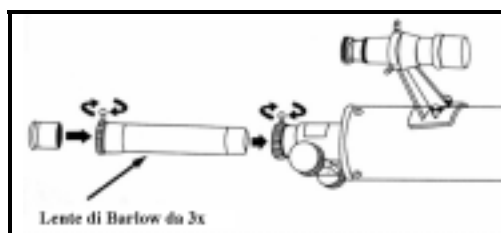


Figura 2-23

Il telescopio è dotato anche di una lente di Barlow da 3x che triplica la potenza di ingrandimento di ciascun oculare. Tuttavia, le immagini molto ingrandite vanno usate solo in condizioni ideali (vedere la sezione “Calcolo dell’ingrandimento” di questo manuale).

Per usare la lente di Barlow con i telescopi rifrattori, rimuovere il diagonale e inserire la lente di Barlow direttamente nel tubo del focalizzatore. Per eseguire la visualizzazione si inserisce quindi un oculare nella lente di Barlow. Si può anche inserire il diagonale nella lente di Barlow e poi usare un oculare nel diagonale, ma così facendo si potrebbe non essere in grado di ottenere la focalizzazione con tutti gli oculari.

Per i telescopi di Newton, inserire la lente di Barlow direttamente nel focalizzatore. Inserire quindi un oculare nella lente di Barlow.

**Nota:** per facilitare la messa a fuoco, si consiglia di iniziare usando un oculare a bassa potenza.

Ingrandimento della lente di Barlow da 3x					
	60EQ	70EQ	80EQ	114EQ	127EQ
Con oculare da 20 mm	135x	105x	135x	135x	150x
Con oculare da 4 mm	675x	525x	675x	675x	450x

## ***Spostamento manuale del telescopio***



Per usare in modo corretto il telescopio, occorre spostarlo manualmente puntandolo su varie porzioni del cielo per osservare oggetti diversi. Per apportare regolazioni grossolane, allentare leggermente le manopole di bloccaggio dell'A.R. e della Dec. e spostare il telescopio nella direzione desiderata. Per apportare regolazioni più piccole (micrometriche), quando le manopole sono bloccate si girano i cavi di controllo per movimento lento.

Sia l'asse dell'A.R. che quello della Dec. dispongono di manopole di bloccaggio per innestare ciascun asse del telescopio. Per allentare gli innesti sul telescopio, sbloccare le manopole di bloccaggio.

**Figura 2-24**

Manopola di bloccaggio della Dec. sulla parte superiore del cerchio graduato di Dec. e manopola di bloccaggio dell'A.R. sulla parte superiore del cerchio graduato di A.R.

## ***Bilanciamento della montatura in Ascensione Retta (A.R.)***

Per evitare di sottoporre inutilmente la montatura a tensione, il telescopio va bilanciato adeguatamente attorno all'asse polare. Inoltre, un bilanciamento adeguato è essenziale per l'inseguimento accurato delle stelle quando si usa l'azionamento a motore opzionale. Per bilanciare la montatura, effettuare le seguenti operazioni.

1. Allentare la manopola di bloccaggio dell'A.R. (vedere la Figura 2-24) e posizionare il telescopio su un lato della montatura (assicurarsi che la manopola della staffa di montaggio a coda di rondine sia ben salda). La barra dei contrappesi si estenderà orizzontalmente sul lato opposto della montatura (vedere la Figura 2-25).
2. Rilasciare il telescopio — **GRADUALMENTE** — per vedere da che parte si inclina o cade.
3. Allentare, sul contrappeso (o contrappesi), la relativa manopola di bloccaggio (una alla volta se ci sono due contrappesi) mentre si sostiene il contrappeso, e liberarlo (o liberarli) lentamente.
4. Spostare i contrappesi su un punto in cui mantengono in equilibrio il telescopio (ovvero dove il telescopio resta fermo quando la manopola di bloccaggio dell'A.R. è allentata).
5. Serrare le manopole di bloccaggio per tenere il contrappeso (o contrappesi) in posizione.

## ***Bilanciamento della montatura in declinazione (Dec.)***

Il telescopio va anche bilanciato sull'asse della declinazione, per impedire movimenti improvvisi quando viene allentata la manopola di bloccaggio della declinazione (Figura 2-24). Per bilanciare il telescopio in declinazione, effettuare le seguenti operazioni.

1. Allentare la manopola di bloccaggio dell'A.R. e ruotare il telescopio in modo che si trovi su un lato della montatura (ovvero come descritto nella sezione precedente relativa al bilanciamento del telescopio in A.R.).
2. Bloccare la manopola di bloccaggio dell'A.R. per tenere il telescopio in posizione.
3. Allentare la manopola di bloccaggio della Dec. e ruotare il telescopio fino a quando il tubo non risulta parallelo al suolo (Figura 2-26).
4. Rilasciare il tubo — **GRADUALMENTE** — per vedere in che modo ruota attorno all'asse della declinazione. **NON LASCIARE ANDARE COMPLETAMENTE IL TUBO DEL TELESCOPIO!**
5. Per i modelli 70EQ, 80EQ, 114EQ e 127EQ --- tenendo con una mano il tubo ottico, allentare le viti zigriate che trattengono il tubo del telescopio all'interno degli anelli del tubo, e far scivolare il telescopio in avanti o all'indietro fino a quando non resta fermo quando la manopola di bloccaggio della declinazione è allentata. Non sono necessarie regolazioni per il modello 60EQ, in quanto è fisso in posizione sulla staffa di montaggio della montatura.
6. Serrare bene le viti degli anelli del tubo per tenere in posizione il telescopio.

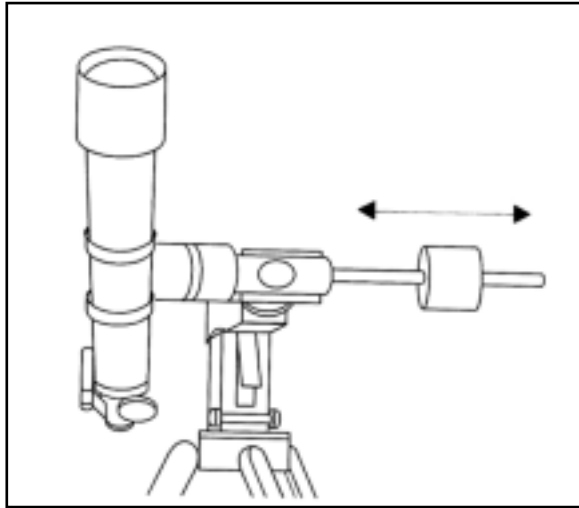


Figura 2-25

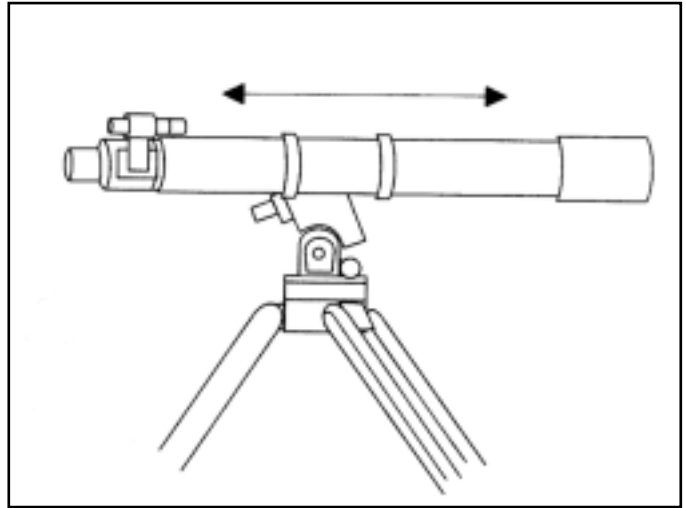


Figura 2-26

### **Regolazione della montatura equatoriale**

Perché un azionamento a motore possa effettuare l'inseguimento in modo accurato, l'asse di rotazione del telescopio deve essere parallelo all'asse di rotazione della Terra, un processo noto come "allineamento polare". L'allineamento polare NON viene ottenuto spostando il telescopio in A.R o in Dec., ma regolando la montatura in senso verticale, ovvero in altezza. Questa sezione si limita a descrivere il corretto movimento del telescopio durante il processo di allineamento polare. Il processo effettivo di allineamento polare, che consiste nel portare l'asse di rotazione del telescopio in posizione parallela a quello della terra, verrà descritto successivamente in questo manuale, nella sezione "Allineamento polare".

### **Regolazione della montatura in altezza**

- Per aumentare la latitudine dell'asse polare, allentare leggermente il bullone di bloccaggio della latitudine -- Figura 2-27.
- Per aumentare o diminuire la latitudine dell'asse polare, stringere o allentare la vite di regolazione della latitudine. Quindi, serrare bene il bullone di bloccaggio della latitudine. Fare attenzione, quando si girano le viti, ad evitare di urtare le dita o di farle graffiare su altre viti, e così via.

L'intervallo di regolazione della latitudine sulla montatura del PowerSeeker va da 20° a 60°.

Si consiglia di apportare sempre le regolazioni finali dell'altezza spostando la montatura in direzione opposta a quella della gravità (ovvero usando la vite posteriore di regolazione della latitudine per alzare la montatura). A questo fine, occorre allentare la vite di regolazione della latitudine e poi spingere manualmente verso il basso, fino allo spostamento massimo possibile, la parte frontale della montatura. Poi serrare la vite di regolazione per alzare la montatura fino alla latitudine desiderata.

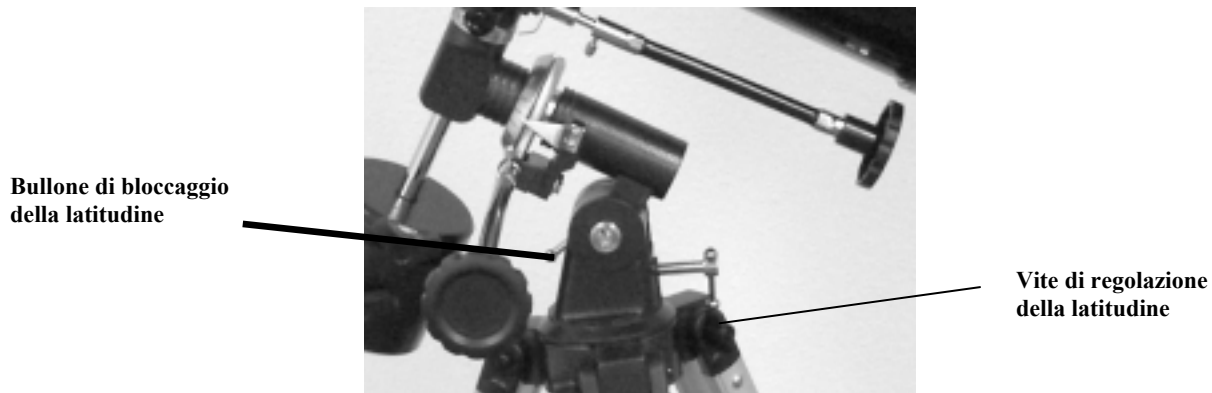
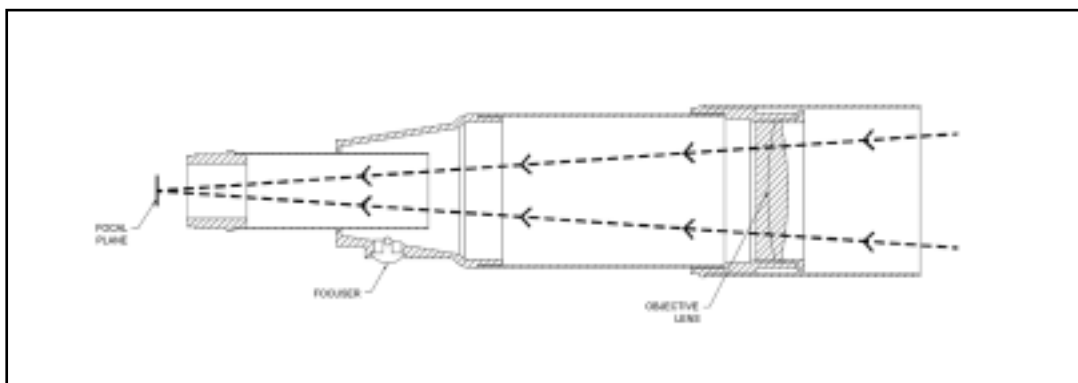


Figura 2-27

# Nozioni di base sul telescopio

Il telescopio è uno strumento che raccoglie e mette a fuoco la luce. La natura del modello ottico usato determina il modo in cui la luce viene focalizzata. Alcuni telescopi, noti come rifrattori, usano lenti; altri, noti come riflettori (di Newton), usano specchi.

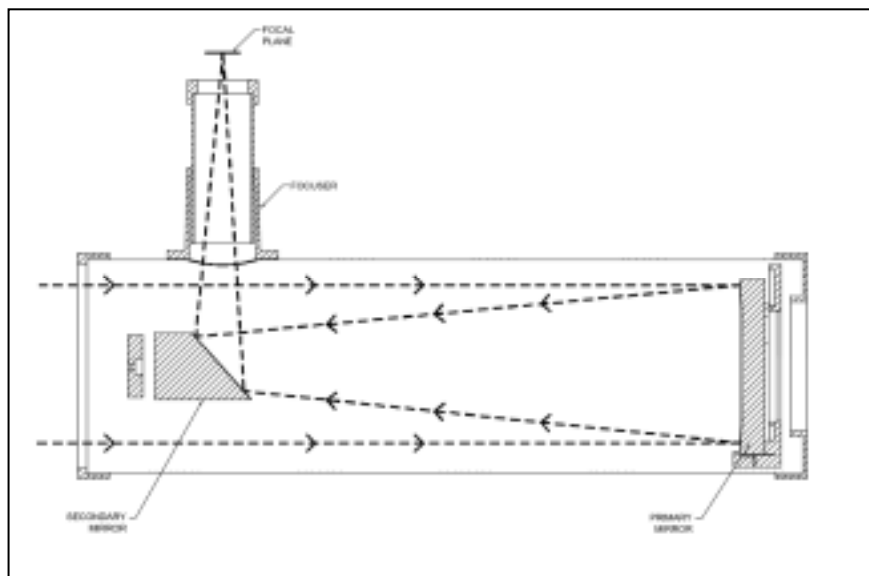
Sviluppato agli inizi del 1600, il **rifrattore** rappresenta il modello più antico di telescopio. Il suo nome deriva dal metodo che impiega per mettere a fuoco i raggi di luce in entrata. Il rifrattore usa una lente per curvare o rifrangere i raggi di luce in entrata: da qui il suo nome (vedere la Figura 3-1). Nei primi modelli venivano usate lenti ad elemento singolo. La lente singola tuttavia agisce come un prisma e scompone la luce nei colori dell'arcobaleno, un fenomeno noto come aberrazione cromatica. Per ovviare a questo problema, fu introdotta una lente a due elementi, nota come lente acromatica. Ciascun elemento ha un indice di rifrazione diverso, e questo permette di focalizzare nello stesso punto due lunghezze d'onda di luce diverse. La maggior parte delle lenti a due elementi, di solito realizzate con vetro Crown e vetro Flint, sono corrette per la luce rossa e verde. La luce azzurra può ancora essere focalizzata in un punto leggermente diverso.



**Figure 3-1**

*Una vista in sezione del percorso della luce nel modello ottico a rifrattore*

Un telescopio riflettore di **Newton** usa un unico specchio concavo come specchio primario. La luce entra nel tubo viaggiando fino allo specchio situato alla sua estremità posteriore. La luce viene deviata verso avanti nel tubo fino ad un singolo punto, il suo punto focale. Mettendo la testa davanti al telescopio per guardare l'immagine con un oculare si impedirebbe il funzionamento del riflettore; pertanto, uno specchio piatto chiamato *diagonale* intercetta la luce e la riflette verso il lato del tubo, ad angolo retto rispetto ad esso. L'oculare viene posizionato in quel punto per facilitare la visualizzazione.



**Figure 3-2**

*Vista in sezione del percorso della luce nella configurazione ottica newtoniana*

Il telescopio riflettore di Newton sostituisce degli specchi a spesse lenti, per raccogliere e focalizzare la luce e fornisce un potere di raccolta della luce molto superiore ad un prezzo ragionevole. Poiché il percorso della luce viene intercettato e riflesso verso il lato del telescopio, si possono avere lunghezze focali che arrivano anche a 1000 mm con un telescopio relativamente piccolo e portatile. Un telescopio riflettore di Newton offre caratteristiche straordinarie di raccolta della luce tali da permettere all'utente di interessarsi seriamente all'astronomia del cielo profondo anche spendendo piuttosto poco. I telescopi riflettori di Newton richiedono però maggiori cura e manutenzione, perché il loro specchio primario è esposto all'aria e alla polvere. Tuttavia, questo piccolo inconveniente non pregiudica la popolarità del telescopio presso gli utenti che vogliono un telescopio economico che sia in grado di risolvere oggetti distanti e tenui.

## Orientamento dell'immagine

L'orientamento dell'immagine cambia a seconda di come l'oculare viene inserito nel telescopio. Quando si usa un prisma diagonale stellare con telescopi rifrattori, l'immagine non è capovolta, ma è invertita lateralmente (cioè si ottiene un'immagine speculare). Se si inserisce l'oculare direttamente nel focalizzatore del telescopio rifrattore (cioè senza usare il diagonale), l'immagine è sia capovolta che invertita lateralmente. Tuttavia, quando si usa il telescopio rifrattore PowerSeeker e il diagonale raddrizzatore dell'immagine in dotazione standard, l'immagine viene orientata correttamente sotto ogni aspetto.

I telescopi di Newton producono un'immagine diritta, ma che appare ruotata in base all'ubicazione del portaoculare in relazione al suolo. Tuttavia, usando l'oculare raddrizzatore dell'immagine in dotazione ai telescopi di Newton PowerSeeker, l'immagine è orientata correttamente.



Figure 3-3

## Messa a fuoco

Per mettere a fuoco il proprio telescopio rifrattore o di Newton, basta girare la manopola di messa a fuoco situata subito sotto il portaoculare (vedere le Figure 2-20 e 2-21). Girando la manopola in senso orario si mette a fuoco un oggetto più lontano di quello che si sta attualmente osservando. Girando la manopola in senso antiorario si mette a fuoco un oggetto più vicino di quello che si sta attualmente osservando.

**Nota:** se si portano lenti correttive (ovvero gli occhiali da vista), si consiglia di toglierli quando si osserva con un oculare collegato al telescopio. Quando invece si usa una fotocamera, occorre indossare sempre le lenti correttive per assicurare la messa a fuoco più nitida possibile. Se si soffre di astigmatismo, le lenti correttive vanno indossate sempre.

## Calcolo dell'ingrandimento

Si può modificare la potenza del telescopio cambiando l'oculare. Per determinare la potenza di ingrandimento del telescopio, basta dividere la lunghezza focale del telescopio per la lunghezza focale dell'oculare usato. La formula dell'equazione è la seguente:

$$\text{Ingrandimento} = \frac{\text{Lunghezza focale del telescopio (mm)}}{\text{Lunghezza focale dell'oculare (mm)}}$$

Supponiamo per esempio che si stia usando l'oculare da 20 mm in dotazione al telescopio. Per determinare l'ingrandimento, basta dividere la lunghezza focale del telescopio (il PowerSeeker 80AZ in questo esempio ha una lunghezza focale di 900 mm) per la lunghezza focale dell'oculare, ovvero 20 mm. Dividendo 900 per 20 si ottiene come risultato un ingrandimento di 45x.

Sebbene la potenza sia variabile, ogni strumento che osserva il normale cielo ha un limite al più altoingrandimento utile. La regola generale è che la potenza 60 può essere usata per ogni pollice di apertura. Per esempio, il PowerSeeker 80EQ ha un diametro di 3,1 pollici. Moltiplicando 3,1 per 60 si ottiene un ingrandimento utile massimo pari 189. Sebbene questo sia l'ingrandimento utile massimo, la maggior parte delle osservazioni viene eseguita nell'intervallo di potenza da 20 a 35 per ogni pollice di apertura, che è un ingrandimento da 62 a 109 volte per il telescopio PowerSeeker 80EQ. Si può determinare l'ingrandimento del proprio telescopio nello stesso modo.

## **Determinazione del campo visivo**

La determinazione del campo visivo è importante se si vuole avere un'idea delle dimensioni angolari dell'oggetto che si sta osservando. Per calcolare il campo visivo effettivo, dividere il campo apparente dell'oculare (fornito dal fabbricante dell'oculare) per l'ingrandimento. La formula dell'equazione è la seguente:

$$\text{Campo reale} = \frac{\text{Campo apparente dell'oculare}}{\text{Ingrandimento}}$$

Come si può vedere, prima di determinare il campo visivo occorre calcolare l'ingrandimento. Usando l'esempio indicato nella sezione precedente, possiamo determinare il campo visivo usando lo stesso oculare da 20 mm in dotazione standard con il telescopio PowerSeeker 80EQ. L'oculare da 20 mm ha un campo visivo apparente di 50°. Dividere 50° per l'ingrandimento, e si ottiene una potenza 45. Questa potenza determina un campo effettivo (reale) di 1,1°.

Per trasformare i gradi in piedi a 914 metri (1.000 iarde), cosa più utile per l'osservazione terrestre, basta moltiplicare per 52,5. Continuando con l'esempio, moltiplicare il campo angolare di 1,1° per 52,5. Il risultato è una larghezza di campo visivo di 58 piedi (17,6 metri) ad una distanza di mille iarde (914 m).

## **Suggerimenti generali per l'osservazione**

Quando si usa qualsiasi strumento ottico, occorre ricordare alcune cose per ottenere la migliore immagine possibile.

- Non guardare mai attraverso il vetro della finestra. Il vetro delle normali finestre domestiche è otticamente imperfetto, e quindi può variare in spessore da una parte all'altra della stessa finestra. Questa mancanza di omogeneità influisce sulla capacità di focalizzazione del telescopio. Nella maggior parte dei casi non si potrà ottenere un'immagine davvero nitida, e in altri casi si potrebbe addirittura ottenere un'immagine doppia.
- Non guardare mai attraverso o sopra oggetti che producono ondate di calore. Tali oggetti includono parcheggi in asfalto d'estate o tetti di edifici.
- Cieli velati, nebbia e foschia possono anch'essi rendere difficile la focalizzazione quando si eseguono osservazioni terrestri. La quantità di dettagli visibili in queste condizioni è decisamente ridotta.
- Se si portano lenti correttive (ovvero gli occhiali da vista), si consiglia di toglierli quando si osserva con un oculare collegato al telescopio. Quando invece si usa una fotocamera, occorre indossare sempre le lenti correttive per garantire la messa a fuoco più nitida possibile. Se si soffre di astigmatismo, le lenti correttive vanno indossate sempre.

Fino a questo punto, il manuale ha descritto l'assemblaggio e il funzionamento di base del telescopio. Tuttavia, per comprendere in modo più approfondito il dispositivo, occorre acquisire alcune nozioni sul cielo notturno. Questa sezione descrive l'osservazione astronomica in generale e include informazioni sul cielo notturno e sull'allineamento polare.

## Il sistema di coordinate celesti

Per riuscire a trovare gli oggetti nel cielo, gli astronomi usano un sistema di coordinate celesti simile al nostro sistema di coordinate geografiche sulla Terra. Il sistema di coordinate celesti presenta poli, linee di longitudine e latitudine ed un equatore. Per la maggior parte, queste coordinate restano fisse rispetto alle stelle di sfondo.

L'equatore celeste passa attorno alla Terra per 360 gradi e separa l'emisfero celeste settentrionale da quello meridionale. Come l'equatore della Terra, corrisponde a zero gradi. Sulla Terra questa sarebbe la latitudine. Tuttavia, nel cielo ci si riferisce alla latitudine come alla declinazione, abbreviata come DEC. Le linee di declinazione sono indicate in base alla loro distanza angolare sopra e sotto l'equatore celeste. Le linee vengono suddivise in gradi, minuti di arco e secondi di arco. Le letture di declinazione a sud dell'equatore riportano il segno meno (-) davanti alla coordinata, mentre quelle a nord dell'equatore celeste non hanno alcuna designazione davanti ad esse, oppure presentano un segno più (+).

L'equivalente celeste della longitudine si chiama Ascensione Retta, abbreviata come A.R. Come le linee di longitudine sulla Terra, le linee dell'Ascensione Retta vanno da un polo all'altro e sono distanziate uniformemente di 15 gradi. Sebbene le linee di longitudine siano separate da una distanza angolare, sono anche una misura di tempo. Ciascuna linea di longitudine si trova ad un'ora di distanza dalla linea successiva. Poiché la Terra compie un'intera rivoluzione ogni 24 ore, ci sono 24 linee in tutto. Di conseguenza, le coordinate di R.A. sono contrassegnate in unità di tempo. Inizia da un punto arbitrario nella costellazione dei Pesci, designato come 0 ore, 0 minuti e 0 secondi. Tutti gli altri punti sono designati in base al ritardo temporale rispetto a questa coordinata quando passa su di essi spostandosi verso ovest.

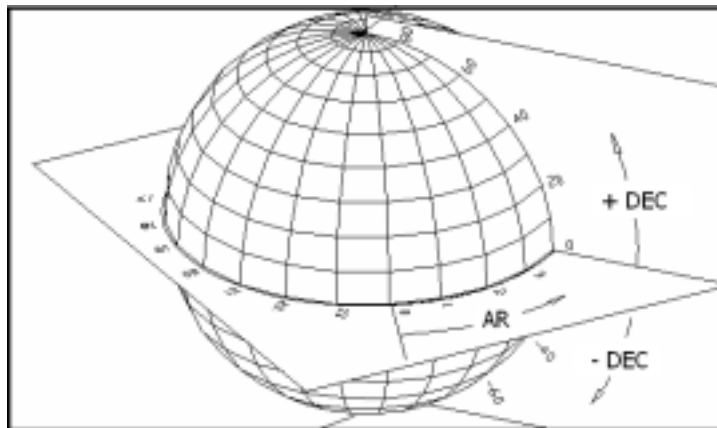


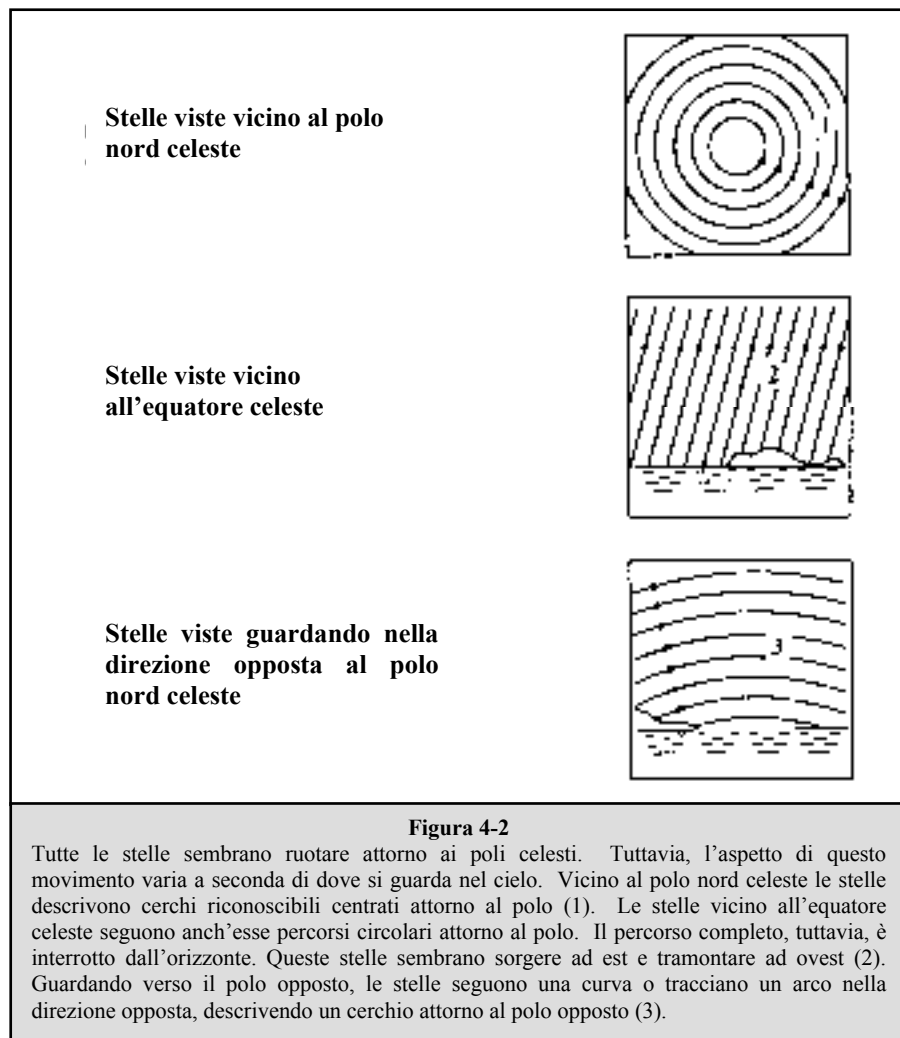
Figura 4-1

La sfera celeste vista dall'esterno, indicante A.R. e DEC.

## Movimento delle stelle

Il movimento quotidiano del sole attraverso il cielo è noto persino all'osservatore più distratto. Questo apparente percorso non è dovuto al movimento del sole, come credevano i primi astronomi, bensì è il risultato della rotazione della Terra. La rotazione della Terra causa anche un percorso nelle stelle, facendo descrivere loro un grande cerchio mentre la Terra completa una rotazione. Le dimensioni del percorso circolare seguito da una stella dipendono dalla sua posizione nel cielo. Le stelle vicine all'equatore celeste descrivono i cerchi più grandi, sorgendo a est e tramontando a ovest. Man mano che ci si sposta verso il polo nord celeste, il punto attorno al quale le stelle dell'emisfero settentrionale sembrano ruotare, questi cerchi diventano più piccoli. Le stelle che si trovano alle latitudini celesti intermedie sorgono a nord-est e tramontano a nord-ovest. Le stelle che si trovano alle alte latitudini celesti sono sempre al di sopra dell'orizzonte, e sono definite circumpolari perché non sorgono né tramontano mai. Non è possibile vedere le stelle compiere un cerchio completo, perché la luce del sole durante il giorno impedisce di vedere la luce delle stelle. Tuttavia, parte di questo movimento circolare delle stelle in questa regione del cielo può essere osservata approntando una fotocamera su un treppiedi ed aprendo l'otturatore per un paio d'ore. L'esposizione cronometrata rivelerà semicerchi centrati attorno al polo. (Questa descrizione dei movimenti stellari è applicabile anche all'emisfero meridionale, con la differenza che tutte le stelle a sud dell'equatore celeste si muovono attorno al polo sud celeste).





**Figura 4-3**

## Allineamento polare con la scala della latitudine

Il modo più facile per eseguire l'allineamento polare di un telescopio è con una scala della latitudine. A differenza di altri metodi che richiedono all'utente di trovare il polo celeste identificando determinate stelle nelle sue vicinanze, questo metodo impiega una costante nota per determinare l'altezza alla quale dovrebbe essere puntato l'asse polare. La montatura equatoriale PowerSeeker ha un intervallo di regolazione che va all'incirca da 20 a 60 gradi (vedere la Figura 4-3).

La costante, citata sopra, è la relazione fra la propria latitudine e la distanza angolare alla quale il polo celeste si trova sopra l'orizzonte settentrionale (o meridionale). La distanza angolare dall'orizzonte settentrionale al polo nord celeste è sempre uguale alla propria latitudine. Per illustrare questo concetto, si immagini di trovarsi al polo nord, alla latitudine di  $+90^\circ$ . Il polo nord celeste, che ha una declinazione di  $+90^\circ$ , si troverebbe direttamente sopra di noi (ovvero 90 gradi sopra l'orizzonte). Ora, immaginiamo di spostarci di un grado verso sud — la nostra latitudine è ora di  $+89^\circ$  e il polo celeste non è più direttamente sopra la nostra testa: si è avvicinato di un grado all'orizzonte settentrionale. Questo significa che il polo si trova ora  $89^\circ$  sopra l'orizzonte settentrionale. Se ci spostiamo di un altro grado verso sud, la stessa cosa accade di nuovo. Per cambiare la propria latitudine di un grado, ci si deve spostare di 113 km a nord o a sud. Come si vede da questo esempio, la distanza dall'orizzonte settentrionale al polo celeste è sempre pari alla propria latitudine.

Se si sta osservando il cielo da Los Angeles, che ha una latitudine di  $34^\circ$ , il polo celeste è  $34^\circ$  sopra l'orizzonte settentrionale. Tutto ciò che una scala della latitudine fa è puntare l'asse polare del telescopio alla giusta altezza sopra l'orizzonte settentrionale (o meridionale).

Per allineare il telescopio, seguire questa procedura.

1. Assicurarsi che l'asse polare della montatura sia puntato verso il nord. Usare un punto di riferimento che si sa essere rivolto verso il nord.
2. Livellare il treppiedi (questo è necessario solo se si usa questo metodo di allineamento polare).
3. Regolare l'altezza della montatura finché l'indicatore della latitudine non risulta puntato sulla propria latitudine. Lo spostamento della montatura influisce sull'angolo di puntatura dell'asse polare. Per informazioni specifiche sulla regolazione della montatura equatoriale, si prega di leggere la sezione "Regolazione della montatura".

Questo metodo può essere usato durante il giorno, eliminando così la necessità di eseguire le operazioni al buio. Sebbene questo metodo **NON** permetta all'utente di trovare esattamente il polo, contribuirà a limitare il numero di correzioni da apportare durante l'inseguimento di un oggetto.

## Centratura della stella polare

Questo metodo utilizza la stella Polaris come guida per trovare il polo nord celeste. Poiché si trova a meno di un grado di distanza dal polo celeste, si può semplicemente puntare l'asse polare del telescopio su questa stella. Sebbene questo non sia affatto un allineamento perfetto, almeno porta l'utente ad una distanza di solo un grado dal polo nord celeste. A differenza del metodo precedente, questa regolazione va eseguita di notte, quando la stella Polaris è visibile.

1. Impostare il telescopio in modo che l'asse polare sia puntato verso il nord – vedere la Figura 4-6.
2. Allentare la manopola di innesto della declinazione e spostare il telescopio in modo che il tubo sia parallelo all'asse polare. Una volta eseguite tali operazioni, il cerchio graduato di declinazione darà una lettura di  $+90^\circ$ . Se il cerchio graduato di declinazione non è allineato, spostare il telescopio in modo che il tubo sia parallelo all'asse polare.
3. Regolare la montatura in altezza e/o azimut fino a quando la stella Polaris non si trova nel campo visivo del cannocchiale cercatore.

**Si ricordi che mentre si esegue l'allineamento polare NON bisogna spostare il telescopio in A.R. né in DEC. Non si vuole spostare il telescopio stesso, bensì l'asse polare. Il telescopio viene usato solo per vedere in che direzione sta puntando l'asse polare.**

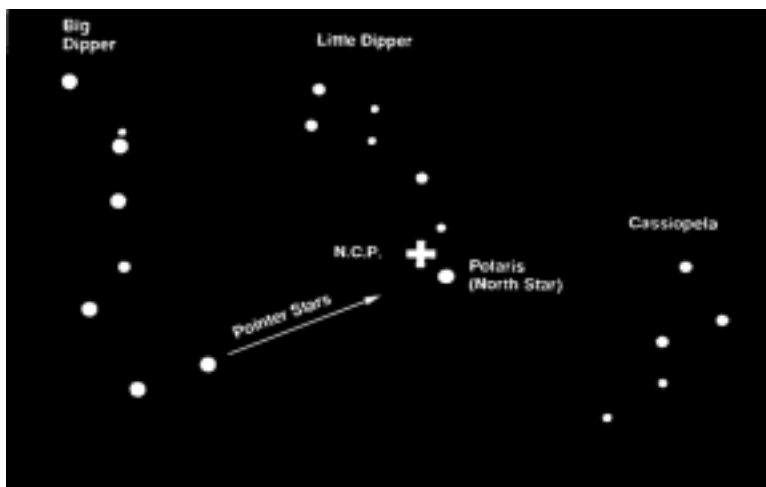
Come il metodo precedente, questo metodo porta l'utente vicino alla posizione del polo, ma non direttamente su di essa. Il metodo che segue aiuta a migliorare l'accuratezza dell'utente, per eseguire osservazioni più professionali e per la fotografia.

## Come trovare il polo nord celeste

In ogni emisfero, c'è un punto nel cielo attorno al quale sembra che ruotino tutte le stelle. Questi punti si chiamano poli celesti, e prendono il nome dell'emisfero nel quale si trovano. Per esempio, nell'emisfero settentrionale tutte le stelle si muovono attorno al polo nord celeste. Quando l'asse polare del telescopio è puntato sul polo celeste, è parallelo all'asse di rotazione della Terra.

Molti metodi di allineamento polare richiedono che l'utente sappia trovare il polo celeste identificando le stelle nelle sue vicinanze. Per chi si trova nell'emisfero settentrionale, trovare il polo celeste non è troppo difficile. Fortunatamente disponiamo infatti di una stella visibile ad occhio nudo che dista da esso meno di un grado. Questa stella, la Polaris, è anche la stella terminale nel "manico" del Piccolo Carro, o Orsa Minore. Poiché il Piccolo Carro (il cui nome esatto sarebbe Orsa Minore) non è una delle costellazioni più luminose nel cielo, potrebbe essere difficile identificarla se ci si trova in aree urbane. Se questo dovesse essere il caso, usare le due stelle terminali nella parte concava del Gran Carro (le stelle di riferimento). Tracciare una riga immaginaria attraverso di esse verso il Piccolo Carro. Esse puntano alla stella Polaris (vedere la Figura 4-5). La posizione del Gran Carro (Orsa Maggiore) cambia durante l'anno e durante l'arco della notte (vedere la Figura 4-4). Quando il Gran Carro è basso nel cielo (cioè vicino all'orizzonte), potrebbe essere difficile da individuare. In questo caso, cercare Cassiopea (vedere la Figura 4-5). Gli osservatori nell'emisfero meridionale non sono fortunati come quelli nell'emisfero settentrionale. Le stelle attorno al polo sud celeste non sono per nulla luminose come quelle attorno al polo nord. La stella più vicina al polo sud celeste che ha una certa luminosità è la Sigma Octantis. Questa stella si trova al limite della visibilità ad occhio nudo (magnitudine 5,5) e si trova a circa 59 minuti d'arco dal polo.

*Definizione: il polo nord celeste è il punto nell'emisfero settentrionale attorno al quale sembrano ruotare tutte le stelle. La sua controparte nell'emisfero settentrionale si chiama polo sud celeste.*



**Figura 4-5**

Le due stelle situate nella parte anteriore della parte concava del Gran Carro puntano alla stella Polaris, che si trova ad una distanza di un grado dal polo nord celeste. Cassiopea, la costellazione dalla tipica forma a "W", si trova sul lato opposto del polo rispetto al Gran Carro. Il polo nord celeste (P.N.C.) è contrassegnato con il segno "+".



**Figura 4-4**

La posizione del Gran Carro cambia durante l'anno e durante l'arco della notte.

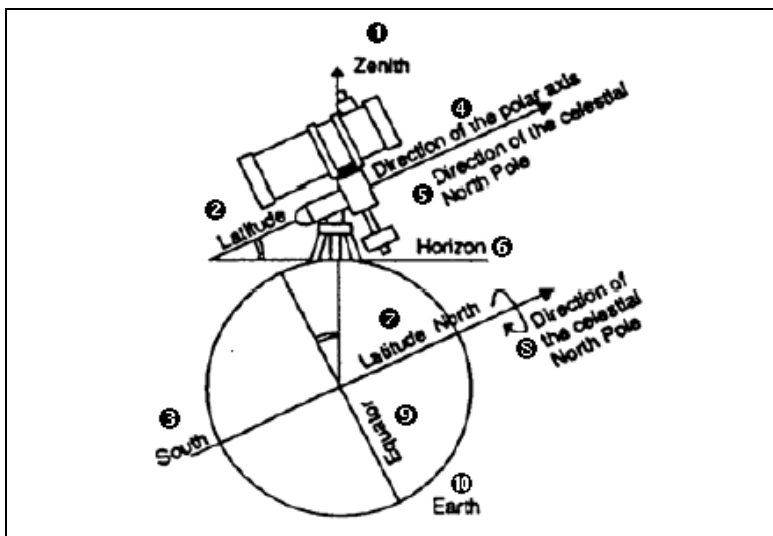


Figura 4-6

Allineamento della montatura equatoriale all'asse polare della Terra

- ❶ Zenit
- ❷ Latitudine
- ❸ Sud
- ❹ Direzione dell'asse polare
- ❺ Direzione del polo nord celeste
- ❻ Orizzonte
- ❼ Latitudine nord
- ❽ Direzione del polo nord celeste
- ❾ Equatore
- ❿ Terra

## Allineamento polare nell'emisfero meridionale

L'allineamento polare al polo sud celeste (PSC) è un po' più difficile, perché nelle sue vicinanze non c'è una stella molto luminosa come avviene nell'emisfero settentrionale con la stella Polaris. Vi sono vari modi per eseguire l'allineamento polare del telescopio; per l'osservazione non professionale i metodi indicati sotto sono sufficienti e porteranno l'utente ad una distanza ragionevolmente breve dal PSC.

### Allineamento polare con la scala della latitudine

Il modo più facile per eseguire l'allineamento polare di un telescopio è con una scala della latitudine. A differenza di altri metodi che richiedono all'utente di trovare il polo celeste identificando determinate stelle nelle sue vicinanze, questo metodo impiega una costante nota per determinare l'altezza alla quale dovrebbe essere puntato l'asse polare.



Figura 4-7

La costante, citata sopra, è la relazione fra la propria latitudine e la distanza angolare alla quale il polo celeste si trova sopra l'orizzonte meridionale. La distanza angolare dall'orizzonte meridionale al polo sud celeste è sempre uguale alla propria latitudine. Per illustrare questo concetto, si immagini di trovarsi al polo sud, alla latitudine di  $-90^\circ$ . Il polo sud celeste, che ha una declinazione di  $-90^\circ$ , si troverebbe direttamente sopra di noi (ovvero a  $90$  gradi sopra l'orizzonte). Ora, immaginiamo di spostarci di un grado verso nord — la nostra latitudine è ora di  $-89^\circ$  e il polo celeste non è più direttamente sopra la nostra testa: si è avvicinato di un grado all'orizzonte meridionale. Questo significa che il polo si trova ora a  $89^\circ$  sopra l'orizzonte meridionale. Se ci spostiamo di un altro grado verso nord, la stessa cosa accade di nuovo. Per cambiare la propria latitudine di un grado, ci si deve spostare di  $113$  km a nord o a sud. Come si vede da questo esempio, la distanza dall'orizzonte meridionale al polo celeste è sempre pari alla propria latitudine.

Se si sta osservando il cielo da Sidney, che ha una latitudine di  $-34^\circ$ , il polo celeste è  $34^\circ$  sopra l'orizzonte meridionale. Tutto ciò che una scala della latitudine fa è puntare l'asse polare del telescopio alla giusta altezza sopra l'orizzonte meridionale. Per allineare il telescopio, seguire questa procedura.

1. Assicurarsi che l'asse polare della montatura sia puntato verso il sud. Usare un punto di riferimento che si sa essere rivolto verso il sud.
2. Livellare il treppiedi (questo è necessario solo se si usa questo metodo di allineamento polare).
3. Regolare l'altezza della montatura finché l'indicatore della latitudine non risulta puntato sulla propria latitudine. Lo spostamento della montatura influisce sull'angolo di puntatura dell'asse polare. Per informazioni specifiche sulla regolazione della montatura equatoriale, si prega di leggere la sezione "Regolazione della montatura" nel manuale del telescopio.
4. Se i procedimenti indicati sopra vengono eseguiti in modo corretto, si dovrebbe essere in grado di eseguire le osservazioni vicino al polo attraverso il cannocchiale cercatore ed un oculare a bassa potenza.

Questo metodo può essere usato durante il giorno, eliminando così la necessità di eseguire le operazioni al buio. Sebbene questo metodo **NON** permetta all'utente di trovare esattamente il polo, contribuirà a limitare il numero di correzioni da apportare durante l'inseguimento di un oggetto.

## Centratura su Sigma Octantis

Questo metodo utilizza la stella Sigma Octantis come guida per trovare il polo celeste. Poiché si trova a circa un grado di distanza dal polo sud celeste, si può semplicemente puntare l'asse polare del telescopio su questa stella. Sebbene questo non sia affatto un allineamento perfetto, almeno porta l'utente ad una distanza di solo un grado dal polo sud celeste. A differenza del metodo precedente, questa regolazione va eseguita di notte, quando la stella Sigma Octantis è visibile. La Sigma Octantis ha una magnitudine di 5,5 e potrebbe pertanto essere difficile da vedere ad occhio nudo; un binocolo, come pure il cannocchiale cercatore, possono rivelarsi utili.

1. Impostare il telescopio in modo che l'asse polare sia puntato verso il sud.
2. Allentare la manopola di innesto della declinazione e spostare il telescopio in modo che il tubo sia parallelo all'asse polare. Una volta eseguite tali operazioni, il cerchio graduato di declinazione darà una lettura di 90°. Se il cerchio graduato di declinazione non è allineato, spostare il telescopio in modo che il tubo sia parallelo all'asse polare.
3. Regolare la montatura in altezza e/o azimut fino a quando la stella Sigma Octantis non si trova nel campo visivo del cannocchiale cercatore.
4. Se i procedimenti indicati sopra vengono eseguiti in modo corretto, si dovrebbe essere in grado di eseguire le osservazioni vicino al polo attraverso il cannocchiale cercatore ed un oculare a bassa potenza.

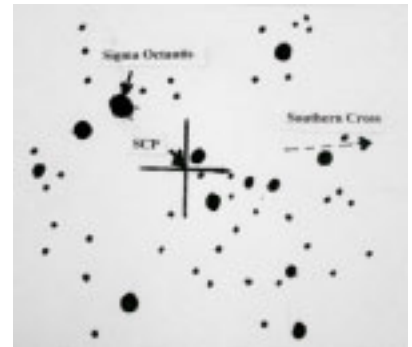


Figura 4-8

**Si ricordi che mentre si esegue l'allineamento polare NON bisogna spostare il telescopio in A.R. né in DEC. Non si vuole spostare il telescopio stesso, bensì l'asse polare. Il telescopio viene usato solo per vedere in che direzione sta puntando l'asse polare.**

Come il metodo precedente, questo metodo porta l'utente vicino alla posizione del polo, ma non direttamente su di essa.

## Come trovare il polo sud celeste (SCP)

Questo metodo aiuta a migliorare il proprio allineamento polare, e porta più vicini al polo rispetto ai metodi indicati sopra. L'accuratezza del telescopio sarà migliore, permettendo osservazioni più professionali e la fotografia.

In ogni emisfero, c'è un punto nel cielo attorno al quale sembra che ruotino tutte le stelle. Questi punti si chiamano poli celesti, e prendono il nome dell'emisfero nel quale si trovano. Per esempio, nell'emisfero meridionale tutte le stelle si muovono attorno al polo sud celeste. Quando l'asse polare del telescopio è puntato sul polo celeste, è parallelo all'asse di rotazione della Terra.

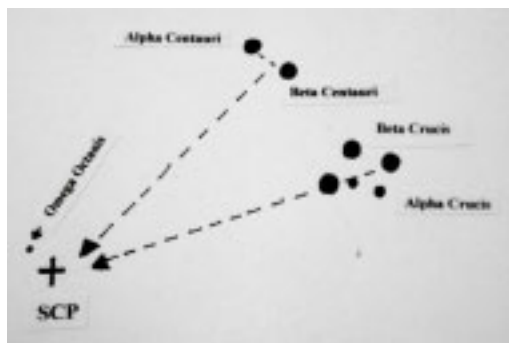


Figura 4-9

Molti metodi di allineamento polare richiedono che l'utente sappia trovare il polo celeste identificando le stelle nelle sue vicinanze. Gli osservatori nell'emisfero meridionale non sono fortunati come quelli nell'emisfero settentrionale. Le stelle attorno al polo sud celeste non sono per nulla luminose come quelle attorno al polo nord celeste. La stella più vicina al polo sud celeste che ha una certa luminosità è la Sigma Octantis. Questa stella si trova appena entro il limite di visibilità ad occhio nudo (magnitudine 5,5) e si trova a circa 1° di distanza dal polo sud celeste, ma può essere difficile da individuare.

Con questo metodo, dunque, si dovranno usare le configurazioni stellari per trovare il polo sud celeste. Tracciare una riga immaginaria verso il PSC attraverso Alfa Crucis e Beta Crucis (che si trovano nella costellazione della Croce del Sud). Tracciare un'altra riga immaginaria verso il PSC ad angolo retto rispetto ad una riga che collega Alfa Centauri e Beta Centauri. L'intersezione di queste due righe immaginarie conduce l'utente ad un punto vicino al polo sud celeste.

## Allineamento dei cerchi graduati

Prima di poter usare i cerchi graduati per trovare oggetti nel cielo, occorre allineare il cerchio graduato di A.R., che viene incrementato in minuti. Il cerchio graduato di declinazione, su cui sono indicati i gradi, viene impostato in fabbrica e non dovrebbe necessitare di alcuna regolazione. Sul cerchio graduato di A.R. vi sono due serie di numeri sul quadrante – uno per l'emisfero settentrionale (in alto) ed uno per quello meridionale (in basso).

Per allineare il cerchio graduato di A.R. occorre conoscere i nomi di alcune delle stelle più luminose nel cielo. Se non si conoscono i loro nomi, si possono imparare usando le Mappe stellari Celestron (N. di catalogo 93722) oppure consultando una rivista aggiornata di astronomia.

Per allineare il cerchio graduato di A.R., procedere come segue.

1. Individuare una stella luminosa vicina all'equatore celeste. Più distanti si è dal polo celeste, migliore sarà la lettura sul cerchio graduato di A.R. La stella con la quale si sceglie di allineare il cerchio graduato dovrebbe essere una stella luminosa, le cui coordinate siano note e facili da consultare.
2. Centrare la stella nel cannocchiale cercatore.
3. Guardare attraverso il telescopio principale e verificare se la stella si trova nel campo visivo. In caso contrario, trovarla e centrarla.
4. Consultare le coordinate della stella.
5. Ruotare il cerchio finché la giusta coordinata non resta allineata con l'indicatore di A.R. Il cerchio graduato di A.R. dovrebbe ruotare liberamente.

**NOTA:** poiché il cerchio graduato di A.R. **NON** si sposta quando il telescopio si sposta in A.R., deve essere allineato ogni volta che lo si vuole usare per trovare un oggetto. Tuttavia, non occorre usare una stella ogni volta. Si possono invece usare le coordinate dell'oggetto che si sta osservando al momento.

Una volta che i cerchi siano allineati, si possono usare per trovare qualsiasi oggetto di cui si conoscano le coordinate. L'accuratezza dei cerchi graduati è direttamente correlata all'accuratezza del proprio allineamento polare.

1. Selezionare un oggetto da osservare. Usare una mappa stellare stagionale per assicurarsi che l'oggetto scelto si trovi sopra la linea dell'orizzonte. Man mano che si acquista familiarità con il cielo notturno, quest'ultima verifica non sarà più necessaria.
2. Consultare le coordinate in un atlante stellare o un manuale di riferimento.
3. Sostenere il telescopio e allentare la manopola di bloccaggio della Dec.
4. Spostare il telescopio in declinazione fino a quando l'indicatore non punta sulla corretta coordinata di declinazione.
5. Bloccare la manopola di bloccaggio della Dec. per prevenire lo spostamento del telescopio.
6. Sostenere il telescopio e allentare la manopola di bloccaggio dell'A.R.
7. Spostare il telescopio in A.R. fino a quando l'indicatore non punta sulla coordinata corretta.
8. Bloccare la manopola di bloccaggio dell'A.R. per prevenire lo scivolamento in A.R. del telescopio.
9. Guardare attraverso il cannocchiale cercatore per verificare se si è individuato l'oggetto, e centrarlo nel cannocchiale stesso.
10. Guardare attraverso l'ottica principale del telescopio: l'oggetto dovrebbe essere visibile. Potrebbe non essere possibile vedere alcuni oggetti più tenui attraverso il cannocchiale cercatore. In tal caso, è una buona idea avere a disposizione una mappa stellare dell'area, in modo da poter eseguire lo "star hopping" attraverso il campo fino ad arrivare all'oggetto bersaglio.
11. Questo processo può essere ripetuto per ogni oggetto durante l'arco di qualsiasi notte.



**Figure 4-10**

Cerchio graduato di Dec., in alto, e Cerchio graduato di A.R., in basso

## Azionamento a motore

Per permettere l'inseguimento degli oggetti celesti, Celestron offre un azionamento a motore a D.C. su singolo asse per la montatura equatoriale PowerSeeker. Una volta eseguito l'allineamento polare, l'azionamento a motore insegue in modo corretto gli oggetti in Ascensione Retta mentre si spostano attraverso il cielo. Saranno necessarie solo piccole regolazioni nella Declinazione per mantenere gli oggetti celesti centrati a lungo nell'oculare. Alcuni modelli hanno questo azionamento a motore nella dotazione standard; esso viene invece venduto come accessorio opzionale (N. di catalogo 93514) per altri modelli.

**Installazione dell'azionamento a motore** – per chi lo acquista come accessorio opzionale.

L'azionamento a motore si fissa alla montatura equatoriale PowerSeeker mediante un giunto flessibile che si monta sull'asse per movimento lento in A.R. e su una staffa apposita che lo tiene in posizione. Per installare l'azionamento a motore, consultare la descrizione e le foto qui sotto.

1. Assicurarsi che il cavo per movimento lento in A.R. sia collegato all'asse di A.R. di fronte alla scala della latitudine.
2. Rimuovere il bullone brugola situato sul lato dell'asse polare.
3. Far scivolare l'estremità aperta del giunto flessibile del motore sopra l'asse di A.R. Assicurarsi che la vite sul giunto flessibile del motore sia posizionata sopra la porzione piatta dell'asse di A.R.
4. Serrare la vite del giunto flessibile del motore con un cacciavite a punta piatta.
5. Ruotare il motore sull'asse fino a quando la fessura sulla staffa del motore non rimane allineata con il foro filettato al centro dell'asse di rotazione della latitudine sulla montatura.
6. Far passare il bullone brugola attraverso la staffa del motore e avvitarlo nel foro sul lato dell'asse di rotazione della latitudine sulla montatura. Quindi serrare il bullone brugola con una chiave apposita.



Figura 4-11

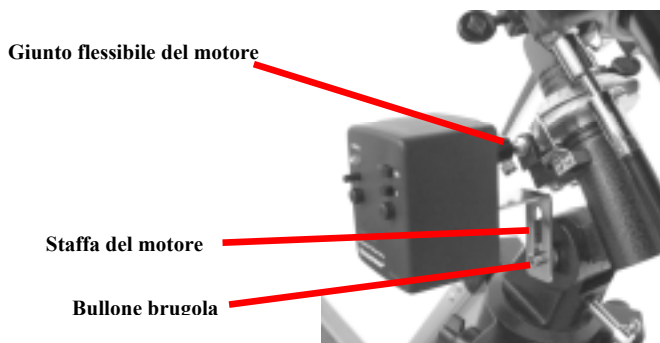


Figura 4-12

### Funzionamento del motore

L'azionamento a motore è alimentato da una batteria alcalina da 9 Volt. La batteria può alimentare l'azionamento a motore per un massimo di 40 ore, a seconda della temperatura ambientale e delle impostazioni di velocità del motore. La batteria dovrebbe già essere installata, ma nel caso non lo fosse (o se la si dovesse sostituire), svitare le due viti di montaggio – Figura 4-11. Quindi rimuovere la piastra del pannello di comando dal gruppo motore e infine rimuovere dal motore la staffa del motore. Si sarà così in grado di accedere alla batteria collegata ai cavi, per l'installazione o la sostituzione. Infine eseguire a ritroso i suddetti procedimenti per rimontare l'azionamento a motore sulla montatura.

L'azionamento a motore è dotato di un regolatore di velocità (nella Figura 4-11 si trova sopra la vite di montaggio) che gli permette di inseguire gli oggetti celesti ad una velocità superiore o inferiore. Questa funzione è utile quando si osservano oggetti non stellari, come la luna o il sole, che viaggiano a velocità leggermente diverse dalle stelle. Per cambiare la velocità del motore, far scorrere l'interruttore On/Off (accensione/spegnimento) sulla posizione "ON"; si illuminerà la spia rossa di accensione. Quindi girare la manopola di regolazione della velocità in senso orario per aumentarla, e in senso antiorario per diminuirla.

Per determinare la giusta velocità, l'allineamento polare del telescopio dovrebbe essere almeno tendenzialmente esatto. Trovare una stella sull'equatore celeste (con una declinazione di circa 0°) e centrarla con un oculare a bassa potenza. Ora accendere l'azionamento a motore e lasciare che il telescopio la inseguia per 1-2 minuti. Se dopo alcuni minuti la stella si allontana verso occidente, il motore la sta inseguendo troppo lentamente e occorre aumentare la sua velocità. Se la stella si allontana verso oriente, occorre invece diminuire la velocità del motore. Ripetere questo processo fino a quando la stella non resta centrata nell'oculare per parecchi minuti. Tenere presente che bisogna ignorare qualsiasi allontanamento della stella in declinazione.

L'azionamento a motore dispone anche di un interruttore "N/S" da impostare a seconda che si usi il telescopio nell'emisfero settentrionale o meridionale.

Con il telescopio approntato, si è pronti per le osservazioni. Questa sezione offre suggerimenti per l'osservazione sia del sistema solare sia degli oggetti del cielo profondo, oltre a delineare generali condizioni di osservazione che avranno un impatto sui risultati delle osservazioni.

## Osservazione della luna



È spesso una grande tentazione osservare la luna quando è piena. In questa fase lunare, la faccia che vediamo è completamente illuminata, e la sua luce può essere eccessiva. Inoltre, si può vedere un contrasto minimo o addirittura nullo.

Uno dei momenti migliori per osservare la luna è durante le sue fasi parziali (quando si trova in prossimità del suo primo o del suo terzo quarto). Lunghe ombre rivelano una quantità eccezionale di dettagli sulla superficie lunare. Ad una bassa potenza, si potrà vedere in una sola volta la maggior parte del disco lunare. Si può passare ad oculari opzionali per ottenere una potenza (ingrandimento) maggiore in modo da focalizzare un'area più piccola.

## Suggerimenti per l'osservazione lunare

Per aumentare il contrasto e far risaltare i dettagli sulla superficie lunare, usare i filtri opzionali. Un filtro giallo funziona bene per migliorare il contrasto, mentre un filtro polarizzatore o a densità neutra riduce il riflesso e la luminosità generali della superficie.

## Osservazione dei pianeti

Altri oggetti affascinanti da osservare includono i cinque pianeti visibili ad occhio nudo. Si può vedere Venere mentre passa attraverso le sue fasi simili a quelle della luna. Marte può rivelare una miriade di dettagli della superficie ed una, se non entrambe, le sue calotte polari. Si potranno vedere le cinture di nubi di Giove ed il suo grande punto rosso (se è visibile nel momento in cui si esegue l'osservazione). Inoltre, si potranno vedere anche le lune di Giove mentre orbitano attorno al pianeta gigante. Saturno, con i suoi bellissimi anelli, è facilmente visibile ad una potenza di ingrandimento moderata.



## Suggerimenti per l'osservazione dei pianeti

- Tenere presente che le condizioni atmosferiche sono di solito il fattore che limita la quantità di dettagli visibili sui pianeti. Si consiglia quindi di evitare di osservare i pianeti quando si trovano bassi sull'orizzonte o quando si trovano direttamente al di sopra di una superficie che irradia calore, come il tetto di un palazzo o un camino. Consultare la sezione "Condizioni di osservazione" più avanti in questo capitolo.
- Per aumentare il contrasto e far risaltare i dettagli sulla superficie dei pianeti, si consiglia di provare a usare i filtri per oculare Celestron.

## Osservazione del sole

Sebbene venga sottovalutata da molti astronomi dilettanti, l'osservazione del sole è divertente e gratificante. Tuttavia, poiché il sole è così luminoso, vanno prese speciali precauzioni quando si osserva questa nostra stella, per non danneggiare gli occhi né il telescopio.

Per osservare il sole in modo sicuro, usare un appropriato filtro solare che riduca l'intensità della sua luce. Con un filtro, si possono vedere le macchie solari mentre si spostano attraverso il disco solare, e le facole, che sono zone luminose visibili presso i margini del sole.

- I momenti migliori per osservare il sole sono la mattina presto o il tardo pomeriggio, quando l'aria è più fresca.
- Per centrare il sole senza guardare nell'oculare, osservare l'ombra del tubo del telescopio fino a quando non forma un'ombra circolare.

## Osservazione di oggetti del cielo profondo

Gli oggetti del cielo profondo sono semplicemente quegli oggetti che si trovano oltre i confini del nostro sistema solare. Includono ammassi di stelle, nebulose planetarie, nebulose diffuse, stelle doppie e altre galassie al di fuori della nostra Via Lattea. La maggior parte degli oggetti del cielo profondo hanno una grande dimensione angolare. Di conseguenza, per poterli vedere occorre solo una potenza da bassa a moderata. Visivamente, sono troppo fievoli per rivelare qualsiasi colore visibile nelle fotografie a lunga esposizione. Appaiono invece in bianco e nero. E, a causa della bassa luminosità della loro superficie, vanno osservati da una località in cui il cielo è molto scuro. L'inquinamento luminoso attorno alle grandi aree urbane offusca la maggior parte delle nebulose rendendole difficili, se non impossibili, da osservare. Filtri di riduzione dell'inquinamento luminoso consentono di ridurre la luminosità di fondo del cielo aumentando così il contrasto.

### Condizioni di visibilità

Le condizioni di visualizzazione hanno un impatto su ciò che si può vedere attraverso il telescopio durante una sessione di osservazione. Tali condizioni includono limpidezza, illuminazione del cielo e visibilità. La comprensione delle condizioni di visualizzazione e dell'effetto che hanno sull'osservazione aiuterà l'utente a sfruttare al meglio il proprio telescopio.

#### Limpidezza

La limpidezza è la trasparenza dell'atmosfera, su cui hanno un impatto le nuvole, l'umidità e le altre particelle sospese nell'aria. Le spesse nuvole cumuliformi sono completamente opache, mentre i cirri possono essere sottili e permettere il passaggio della luce proveniente dalle stelle più luminose. I cieli velati assorbono più luce di quelli limpidi, rendendo più tenui gli oggetti più difficili da vedere e riducendo il contrasto degli oggetti più luminosi. Anche gli aerosol lanciati nell'atmosfera superiore dalle eruzioni vulcaniche possono avere un effetto sulla limpidezza. Le condizioni ideali sono presenti quando il cielo notturno è scuro come l'inchiostro.

#### Illuminazione del cielo

La generale luminosità del cielo causata dalla luna, le aurore, il riverbero notturno e l'inquinamento luminoso influiscono moltissimo sulla limpidezza. Sebbene non costituiscano un problema per i pianeti e le stelle più brillanti, i cieli luminosi riducono il contrasto delle nebulose estese rendendole difficili, se non addirittura impossibili, da vedere. Per ottimizzare la visibilità, si consiglia di limitare le osservazioni del cielo profondo alle notti senza luna, lontano dai cieli inquinati dalla luce che si trovano attorno alle principali aree urbane. I filtri LPR migliorano le osservazioni del cielo profondo eseguite in aree con inquinamento luminoso, bloccando la luce indesiderata e trasmettendo al tempo stesso la luce proveniente da determinati oggetti del cielo profondo. Si possono d'altra parte osservare pianeti e stelle anche da aree con inquinamento luminoso o in presenza della luna.

#### Visibilità

Le condizioni di visibilità si riferiscono alla stabilità dell'atmosfera, e hanno un impatto diretto sulla quantità di piccoli dettagli visibili negli oggetti estesi. L'aria nella nostra atmosfera agisce come una lente, che curva e deforma i raggi di luce in arrivo. La curvatura dipende dalla densità dell'aria. Strati caratterizzati da varie temperature hanno diverse densità e, di conseguenza, la luce viene curvata in modo diverso. I raggi di luce provenienti dallo stesso oggetto arrivano leggermente spostati, creando un'immagine imperfetta o indistinta. Queste perturbazioni atmosferiche variano da momento a momento e da luogo a luogo. La dimensione delle particelle aeree rispetto all'apertura del dispositivo di osservazione determina la qualità della "visibilità". In buone condizioni di visibilità, piccoli dettagli sono visibili sui pianeti più brillanti come Giove e Marte, e le stelle sono immagini di punti nitidi. In condizioni di scarsa visibilità, le immagini sono indistinte e le stelle appaiono come chiazze.

Le condizioni qui descritte si riferiscono sia alle osservazioni visive che a quelle fotografiche.



Figura 5-1

Le condizioni di visibilità influenzano direttamente la qualità dell'immagine. Queste figure rappresentano una fonte puntiforme (ovvero una stella) in condizioni di visibilità da scarse (sinistra) a eccellenti (destra). La maggior parte delle volte, le condizioni di visibilità producono immagini comprese fra questi due estremi.



I telescopi della serie PowerSeeker sono stati concepiti per le osservazioni visive. Dopo aver guardato per qualche tempo il cielo notturno, si vorrà provare a fotografarlo. Con il telescopio sono possibili svariate forme di fotografia, sia celeste che terrestre. Segue una breve discussione di alcuni dei metodi di fotografia disponibili; suggeriamo all'utente di effettuare ricerche su vari libri per trovare informazioni dettagliate su questo argomento.

Come minimo si richiedono una fotocamera digitale o una fotocamera SLR da 35 mm. Collegare la fotocamera al telescopio attenendosi alle seguenti indicazioni.

- Fotocamera digitale – occorre l'adattatore universale per fotocamera digitale (N. di catalogo 93626). L'adattatore permette alla fotocamera di essere montata in modo rigido, per la fotografia terrestre e per l'astrofotografia con fuoco primario.
- Fotocamera SLR da 35 mm – occorre rimuovere la lente dalla fotocamera e collegare un anello a T per il proprio modello specifico di fotocamera. Poi occorre un adattatore a T (N. di catalogo 93625) per il collegamento da un lato all'anello a T e dall'altro al tubo di messa a fuoco del telescopio. Il telescopio è diventato ora la lente della fotocamera.

### **Fotografia a fuoco primario con a breve tempo di esposizione**

La fotografia a fuoco primario con breve tempo di esposizione è il modo migliore di iniziare a creare immagini di oggetti celesti. Viene effettuata collegando la fotocamera al telescopio come descritto nel paragrafo qui sopra. Ecco un paio di punti da tenere presenti.

- Eseguire l'allineamento polare del telescopio e avviare l'azionamento a motore opzionale per l'inseguimento degli oggetti celesti.
- Si possono creare immagini della luna come pure dei pianeti più luminosi. Si dovranno fare esperimenti con varie impostazioni e vari tempi di esposizione. Si possono ottenere molte informazioni leggendo il manuale di istruzioni della fotocamera, e le si possono completare con quanto si può trovare in libri dettagliati su questo soggetto.
- Se possibile, scattare le fotografie da un sito di osservazione celeste buio.

### **Fotografia "piggyback"**



Per i modelli di telescopio 70EQ, 80EQ, 114EQ e 127EQ si può effettuare la fotografia cosiddetta "piggyback", con una fotocamera e la sua lente normale posizionata sulla parte superiore del telescopio. Con questo metodo si possono catturare intere costellazioni e nebulose di grandi dimensioni. Si collega la fotocamera alla vite dell'adattatore piggyback (Figura 6-1) situata sulla parte superiore dell'anello di montaggio del tubo (la fotocamera presenta sulla parte inferiore un foro filettato che si adatta a questa vite). Occorrerà eseguire l'allineamento polare del telescopio e avviare l'azionamento a motore opzionale per l'inseguimento degli oggetti celesti.

**Figura 6-1**

### **Fotografia planetaria e lunare con speciali dispositivi per la creazione di immagini**

Negli ultimi anni è stata sviluppata una nuova tecnologia che permette di acquisire splendide immagini dei pianeti e della luna in modo relativamente facile, con risultati davvero straordinari. Celestron offre il NexImage (N. di catalogo 93712), una speciale fotocamera che include un software per l'elaborazione delle immagini. Addirittura la prima sera che si esce a fare osservazioni celesti si possono catturare immagini planetarie che fanno concorrenza a quelle che i professionisti acquisivano con grandi telescopi solo pochi anni fa.

### **Creazione di immagini CCD per oggetti del cielo profondo**

Sono state sviluppate speciali fotocamere per acquisire immagini di oggetti del cielo profondo. Queste fotocamere sono state sviluppate negli ultimi anni e sono diventate molto più economiche, permettendo ai dilettanti di acquisire immagini fantastiche. Sono stati scritti molti libri su come acquisire le migliori immagini possibili. La tecnologia continua a evolversi, lanciando sul mercato prodotti migliori e più facili da usare.

### **Fotografia terrestre**

Il telescopio funge da eccellente teleobiettivo per la fotografia terrestre. Si possono acquisire immagini di varie vedute pittoresche, animali selvatici, natura, praticamente di tutto. Per ottenere le immagini migliori si dovrà sperimentare con la messa a fuoco, le velocità e così via. Si può adattare la fotocamera al telescopio attenendosi alle istruzioni delineate nella parte superiore di questa pagina.



# **CELESTRON**

## **Manutenzione del telescopio**

Sebbene il telescopio richieda poca manutenzione, sarà bene ricordare alcune cose per assicurare le prestazioni ottimali del dispositivo.

### **Cura e pulizia dell'ottica**

Occasionalmente, potrebbero accumularsi polvere e/o umidità sulla lente dell'obiettivo o sullo specchio primario, a seconda del tipo di telescopio in dotazione. Va prestata un'attenzione particolare quando si pulisce qualsiasi strumento, per non danneggiarne l'ottica.

Se si è accumulata polvere sull'ottica, rimuoverla con una spazzolina (di peli di cammello) o con una lattina di aria pressurizzata. Spruzzare l'aria in posizione angolata rispetto alla superficie del vetro, per un periodo compreso fra due e quattro secondi. Usare quindi una soluzione detergente per componenti ottici ed una salvietta di carta bianca per eliminare eventuali residui restanti. Applicare la soluzione alla salvietta e poi usare la salvietta di carta per pulire l'ottica. I passaggi vanno applicati con una leggera pressione e devono andare dal centro della lente (o dello specchio) verso l'esterno. **NON strofinare con movimenti circolari!**

Si può usare un detergente per lenti disponibile in commercio o si può preparare la propria miscela. Una buona soluzione detergente è composta da alcol isopropilico miscelato con acqua distillata. Le proporzioni della soluzione dovrebbero essere per il 60% alcol isopropilico e per il 40% acqua distillata. Oppure si può usare detergente liquido per stoviglie diluito con acqua (un paio di gocce di detergente in 1 litro d'acqua).

Occasionalmente, si potrebbe riscontrare un accumulo di rugiada sull'ottica del telescopio durante una sessione di osservazione. Se si vuole continuare l'osservazione, la rugiada va rimossa, con un asciugacapelli (all'impostazione di potenza minima) o puntando il telescopio verso il suolo fino a quando la rugiada non evapora.

Se si condensa umidità all'interno dell'ottica, rimuovere gli accessori dal telescopio. Disporre quindi il telescopio in un ambiente privo di polvere e puntarlo verso il basso. Così facendo si eliminerà l'umidità dal tubo del telescopio.

Per ridurre al minimo l'esigenza di pulire il telescopio, rimettere al loro posto tutti i coperchi delle lenti non appena si finisce di usare il dispositivo. Poiché le celle NON sono sigillate, i coperchi vanno disposti sopra le aperture quando non si usa il telescopio. Così facendo si impedisce agli agenti contaminanti di penetrare nel tubo ottico.

La pulizia e le regolazioni interne vanno eseguite solo dalla divisione Celestron addetta alle riparazioni. Se il telescopio necessita di pulizia interna, si prega di chiamare il produttore per ottenere un numero di autorizzazione alla restituzione ed una stima del prezzo richiesto per la pulizia.

### **Collimazione di un telescopio di Newton**

Le prestazioni ottiche della maggior parte dei telescopi di Newton possono essere ottimizzate eseguendo se necessario la ricollimazione (allineamento) dell'ottica del telescopio. Collimare il telescopio significa semplicemente bilanciare i suoi elementi ottici. Una collimazione scadente determina aberrazioni e distorsioni ottiche.

Prima di collimare il telescopio, occorre acquistare familiarità con tutti i suoi componenti. Lo specchio primario è lo specchio grande situato all'estremità posteriore del tubo del telescopio. Questo specchio viene regolato allentando e serrando le tre viti, situate a 120 gradi l'una dall'altra, che si trovano all'estremità del tubo del telescopio. Lo specchio secondario (il piccolo specchio ellittico che si trova sotto il focalizzatore, nella parte anteriore del tubo) presenta anch'esso tre viti di regolazione; per eseguire la collimazione si avrà bisogno di strumenti opzionali (descritti sotto). Per determinare se il telescopio necessita di collimazione, puntarlo innanzitutto all'esterno, verso una parete luminosa o verso il cielo azzurro.

#### **Allineamento dello specchio secondario**

La procedura che segue descrive la collimazione diurna del telescopio usando lo strumento per collimazione di Newton (N. di catalogo 94183) offerto da Celestron. Per collimare il telescopio senza lo strumento per collimazione, leggere la seguente sezione sulla collimazione notturna su una stella. Per ottenere una collimazione molto precisa, viene offerto l'oculare per collimazione da 1,25 pollici (N. di catalogo 94182).

Se nel focalizzatore c'è un oculare, rimuoverlo. Servendosi delle manopole di messa a fuoco, ritirare completamente il tubo del focalizzatore, fino a quando la sua parte color argento non è più visibile. Attraverso il focalizzatore si guarderà un riflesso dello specchio secondario, proiettato dallo specchio primario. Durante questo passaggio, ignorare il riflesso proiettato dallo specchio primario. Inserire il tappo di collimazione nel focalizzatore e guardare attraverso di esso. Con il fuoco retratto completamente, si dovrebbe essere in grado di vedere l'intero specchio primario riflesso nello specchio secondario. Se lo specchio primario non è centrato nel secondario, regolare le viti del secondario serrandole e allentandole alternatamente fino a quando la periferia dello specchio primario non risulta centrata nella propria visuale. NON allentare né serrare la vite centrale nel supporto dello specchio secondario, in quanto mantiene la corretta posizione dello specchio.

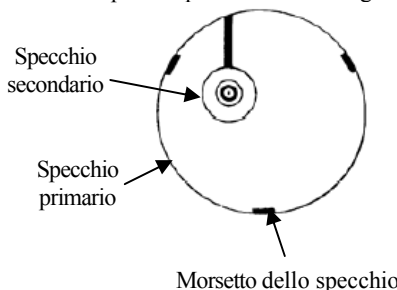
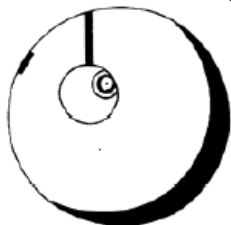
## Allineamento dello specchio primario

Ora regolare le viti dello specchio primario per centrare di nuovo il riflesso del piccolo specchio secondario, in modo che se ne veda il profilo proiettato contro la vista del primario. Quando si guarda nel focalizzatore, i profili proiettati degli specchi dovrebbero apparire concentrici. Ripetere i passaggi uno e due fino a quando non si ottiene questo risultato.

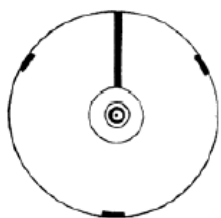
Rimuovere il tappo di collimazione e guardare nel focalizzatore; si dovrebbe vedere il riflesso del proprio occhio nello specchio secondario.

### Viste di collimazione di Newton come appaiono attraverso il focalizzatore usando il tappo di collimazione

Lo specchio secondario richiede regolazione.    Lo specchio primario richiede regolazione.



Entrambi gli specchi allineati con il tappo di collimazione nel focalizzatore.



Entrambi gli specchi allineati con l'occhio che guarda nel focalizzatore.

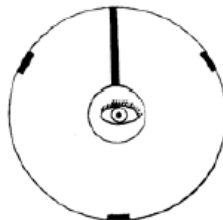


Figure 7-1 PowerSeeker 114EQ

## Collimazione notturna su una stella

Dopo aver completato con successo la collimazione diurna, si può eseguire la collimazione notturna su una stella regolando precisamente lo specchio primario mentre il tubo del telescopio si trova sulla sua montatura ed è puntato su una stella luminosa. Occorre approntare il telescopio di notte e studiare l'immagine di una stella ad una potenza da media ad alta (potenza di 30-60 per pollice di apertura). Se la focalizzazione non è simmetrica, potrebbe essere possibile correggere il problema eseguendo solo la ricollimazione dello specchio primario.

### Procedura (si prega di leggere completamente questa sezione prima di iniziare)

Per eseguire la collimazione su una stella nell'emisfero settentrionale, puntare il telescopio su una stella stazionaria, come la stella polare (Polaris). La si può trovare nel cielo settentrionale, ad una distanza sopra l'orizzonte pari alla propria latitudine. La stella polare è anche la stella terminale nel "manico" del Piccolo Carro, o Orsa Minore. Non è la stella più luminosa nel cielo, e potrebbe persino apparire tenue e indistinta, a seconda delle condizioni del cielo sovrastante la propria posizione. Per l'emisfero meridionale, puntare il telescopio sulla Sigma Octantis.

Prima di eseguire la ricollimazione dello specchio primario, individuare le viti di collimazione sul retro del tubo del telescopio. La cella posteriore (mostrata nella Figura 7-1) ha tre grandi viti con testa ad alette (su alcuni modelli non sono viti di questo genere) che vengono usate per la collimazione, e tre piccole viti con testa ad alette che vengono usate per bloccare in posizione lo specchio. Le viti di collimazione inclinano lo specchio primario. Si inizia allentando le piccole viti di bloccaggio di pochi giri ciascuna. Di solito, movimenti nell'ordine di  $\frac{1}{8}$  di giro fanno già la differenza, e movimenti da circa  $\frac{1}{2}$  giro a  $\frac{3}{4}$  di giro sono il massimo richiesto per le grandi viti di collimazione. Girare una vite di collimazione alla volta, servendosi di un utensile o di un oculare per collimazione per verificare come il movimento influenza la collimazione (vedere il paragrafo qui sotto). Occorrerà fare alcune prove, ma prima o poi si otterrà la centratura desiderata.

Si consiglia di usare lo strumento o l'oculare per collimazione opzionali. Guardare nel focalizzatore e notare se il riflesso secondario si è spostato più vicino al centro dello specchio primario.

Tenendo la stella Polaris o un'altra stella luminosa centrata entro il campo visivo, mettere a fuoco con l'oculare standard o con l'oculare della massima potenza, cioè quello dalla lunghezza focale minima in mm, come un 6 mm o un 4 mm. Un'altra opzione è quella di usare un oculare di lunghezza focale superiore insieme ad una lente di Barlow. Quando una stella è focalizzata, dovrebbe apparire come un punto nitido di luce. Se quando si mette a fuoco la stella questa appare di forma irregolare o ai suoi bordi la luce diverge, questo significa che gli specchi non sono allineati correttamente. Se si nota che la luce divergente proveniente dalla stella resta ferma in posizione quando si entra ed esce dalla focalizzazione esatta, la ricollimazione aiuterà ad ottenere un'immagine più nitida.

Quando si è soddisfatti della collimazione, serrare le piccole viti di bloccaggio.



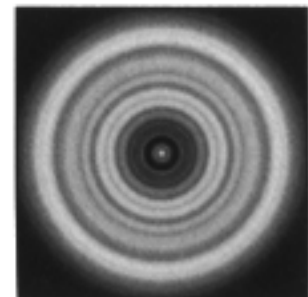
**Figura 7-2**

Anche se l'immagine della stella appare uguale su entrambi i lati della focalizzazione, è asimmetrica. L'ostruzione scura è spostata sul lato sinistro del modello di diffrazione, indicando una scarsa collimazione.

Notare in che direzione la luce sembra divergere. Per esempio, se la luce sembra divergere in direzione delle ore tre nel campo visivo, occorre spostare quella vite o quella combinazione di viti di collimazione che sono necessarie a spostare l'immagine della stella nella direzione della svasatura. In questo esempio, si vuole spostare l'immagine della stella nel proprio oculare, regolando le viti di collimazione, verso la posizione corrispondente alle ore tre nel campo visivo. Potrebbe essere sufficiente anche solo regolare una vite abbastanza da spostare l'immagine della stella dal centro del campo visivo fino a circa metà strada, o meno, verso il bordo del campo visivo stesso (quando si usa un oculare ad alta potenza).

Il modo migliore per eseguire le regolazioni della collimazione consiste nel visualizzare la posizione della stella nel campo visivo e nel girare al tempo stesso le viti di regolazione. In questo modo si può vedere esattamente in che direzione si verifica il movimento. Potrebbe essere utile essere in due a eseguire la collimazione: una persona che visualizza e indica quali viti girare e di quanto, e l'altra che esegue le regolazioni sulle viti.

**IMPORTANTE:** dopo aver effettuato la prima regolazione, o ciascuna regolazione dopo di essa, è necessario ripuntare il tubo del telescopio per centrare di nuovo la stella nel campo visivo. Si può poi giudicare la simmetria dell'immagine della stella uscendo dalla focalizzazione esatta e rientrandovi, ed esaminando l'immagine della stella. Se vengono eseguite le giuste regolazioni, si dovrebbero notare dei miglioramenti. Poiché sono presenti tre viti, potrebbe essere necessario spostarne almeno due per ottenere il miglioramento che si desidera nell'allineamento dello specchio.



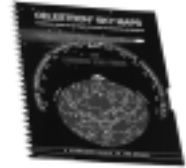
**Figura 7-3**

Un telescopio collimato deve produrre un'immagine di anello simmetrica simile al disco di diffrazione illustrato qui.

## **CELESTRON** **Accessori opzionali**

Gli accessori opzionali per il telescopio PowerSeeker contribuiranno ad aumentare il piacere delle osservazioni e ne amplieranno l'utilità. Ecco una breve lista degli accessori disponibili, accompagnata da piccole descrizioni. Per un elenco di tutti gli accessori disponibili e per le loro descrizioni complete, si prega di visitare il sito Web Celestron o di consultare il Catalogo degli accessori Celestron.

**Sky Maps (Mappe celesti) (N. di catalogo 93722)** – Le mappe celesti Celestron sono una guida ideale per imparare a conoscere il cielo notturno. Anche se si sa già come muoversi fra le principali costellazioni, queste mappe possono aiutare a individuare molti tipi di oggetti affascinanti.



**Oculari Omni Plossl** – Questi oculari hanno prezzi economici ed offrono visualizzazioni nitidissime sull'intero campo visivo. Hanno un design di lente a 4 elementi, con le seguenti lunghezze focali: 4 mm, 6 mm, 9 mm, 12,5 mm, 15 mm, 20 mm, 25 mm, 32 mm e 40 mm – tutte in barilotto da 1,25 pollici.

**Lente di Barlow Omni (N. di catalogo 93326)** – Usata con qualsiasi oculare, ne raddoppia l'ingrandimento. Una lente di Barlow è una lente negativa che aumenta la lunghezza focale di un telescopio. La Omni con ingrandimento di 2x ha un barilotto da 1,25 pollici, una lunghezza inferiore a 76 mm (3 pollici) e pesa solo 113 g (4 once).

**Filtro lunare (N. di catalogo 94119-A)** – Si tratta di un economico filtro per oculare da 1,25 pollici per la riduzione della luminosità della luna e per il miglioramento del contrasto, in modo che si possano osservare maggiori dettagli sulla superficie lunare.



**Filtro UHC/LPR da 1,25 pollici (N. di catalogo 94123)** – Questo filtro è concepito per migliorare le visualizzazioni degli oggetti astronomici del cielo profondo quando si eseguono le osservazioni da aree urbane. Riduce in modo selettivo la trasmissione di certe lunghezze d'onda di luce, in modo specifico quelle prodotte dalle luci artificiali.

**Torcia elettrica per la visione notturna (N. di catalogo 93588)** – La torcia elettrica Celestron impiega due LED rossi per preservare meglio la visione notturna, rispetto ai filtri rossi e agli altri dispositivi. La luminosità è regolabile. Funziona con un'unica batteria da 9 V, in dotazione.

**Strumento per collimazione (N. di catalogo 94183)** – Collimare il telescopio di Newton è un gioco da ragazzi con questo pratico accessorio cui sono accluse istruzioni dettagliate.

**Oculare per collimazione – 1,25 pollici (N. di catalogo 94182)** – L'oculare per collimazione è ideale per eseguire la collimazione precisa dei telescopi di Newton.

**Adattatore per fotocamera digitale – Universale (N. di catalogo 93626)** – Una piattaforma di montaggio universale che permette la fotografia afocale (fotografia attraverso l'oculare di un telescopio) usando oculari da 1,25 pollici con la fotocamera digitale.



**Adattatore a T – Universale da 1,25 pollici (N. di catalogo 93625)** – Questo adattatore si collega al focalizzatore da 1,25 pollici del telescopio. Permette di collegare una fotocamera SLR da 35 mm per la fotografia sia terrestre che lunare e planetaria.

**Azionamento a motore (N. di catalogo 93514)** – Un azionamento a motore su singolo asse (A.R.) per i telescopi PowerSeeker che compensa il movimento di rotazione della Terra mantenendo l'oggetto osservato nel campo visivo dell'oculare. Il motore rende l'osservazione molto più piacevole, eliminando la necessità di usare continuamente i comandi manuali per il movimento lento.

<b>DATI TECNICI DEL POWERSEEKER</b>					
<b>Numero modello</b>	<b>21043</b>	<b>21037</b>	<b>21048</b>	<b>21045</b>	<b>21049</b>
<b>Descrizione</b>	<b>PS 60EQ</b>	<b>PS 70EQ</b>	<b>PS 80EQ</b>	<b>PS 114EQ</b>	<b>PS 127EQ</b>
Design ottico	Telescopio rifrattore	Telescopio rifrattore	Telescopio rifrattore	Telescopio di Newton	Telescopio di Newton
Apertura	60 mm (2,4 pollici)	70 mm (2,8 pollici)	80 mm (3,1 pollici)	114 mm (4,5 pollici)	127 mm (5 pollici)
Lunghezza focale	900 mm (25 pollici)	700 mm (25 pollici)	900 mm (25 pollici)	900 mm (25 pollici)	1.000 mm (25 pollici)
Rapporto focale	f/15	f/10	f/11	f/8	f/8
Rivestimenti ottici	Completamente rivestiti	Completamente rivestiti	Completamente rivestiti	Completamente rivestiti	Completamente rivestiti
Cannocchiale cercatore	5x24	5x24	5x24	5x24	5x24
Diagonale da 1,25 pollici	Raddrizzatore dell'immagine	Raddrizzatore dell'immagine	Raddrizzatore dell'immagine	N/D	N/D
Oculari da 1,25 pollici	20 mm (45x)	20 mm (35x)	20 mm (45x)	Raddrizzatore dell'immagine da 20 mm Immagine (45x)	Raddrizzatore dell'immagine da 20 mm (50x)
	4 mm (225x)	4 mm (175x)	4 mm (225x)	4 mm (225x)	4 mm (250x)
Lente di Barlow da 3x (1,25 pollici)	sì	sì	sì	sì	sì
Campo visivo angolare con oculare da 20 mm	1,1°	1,4°	1,1°	1,1°	1,0°
Campo visivo lineare con oculare da 20 mm – piedi/1000 iarde	58	74	58	58	53
Montatura	Equatoriale	Equatoriale	Equatoriale	Equatoriale	Equatoriale
Cerchi graduati di AR e DEC	Sì	Sì	Sì	Sì	Sì
Cavi per movimento lento in AR e in DEC	Sì	Sì	Sì	Sì	Sì
CD-ROM "The Sky" (Il cielo) Livello 1	Sì	Sì	Sì	Sì	Sì
Ingrandimento utile massimo	142x	165x	189x	269x	300x
Magnitudine stellare limite	11,4	11,7	12,0	12,8	13,0
Risoluzione -- Raleigh (secondi d'arco)	2,31	1,98	1,73	1,21	1,09
Risoluzione – Limite di Dawes " "	1,93	1,66	1,45	1,02	0,91
Potere di raccolta di luce	73x	100x	131x	265x	329x
Contrappeso/i – peso approssimativo (arrotondato)	0,9 kg (2 libbre)	1,8 kg (4 libbre)	1,8 kg (4 libbre)	2,7 kg (6 libbre)	3,4 kg (7,5 libbre)
Lunghezza del tubo ottico	97 cm (38 pollici)	76 cm (30 pollici)	94 cm (37 pollici)	89 cm (35 pollici)	46 cm (18 pollici)
Peso del telescopio	6,4 kg (14 libbre)	6,4 kg (14 libbre)	8,2 kg (18 libbre)	8,6 kg (19 libbre)	10 kg (22 libbre)
<b>Nota: le specifiche tecniche sono soggette a cambiamenti senza obbligo di notifica.</b>					



Celestron  
2835 Columbia Street  
Torrance, CA 90503 U.S.A.  
Tel. (310) 328-9560  
Fax. (310) 212-5835  
Website [www.celestron.com](http://www.celestron.com)

Copyright 2009 Celestron - All rights reserved.  
Copyright 2009 Celestron - Alle Rechte vorbehalten.  
Copyright 2009 Celestron - Todos los derechos reservados.  
Copyright 2009 Celestron - Tous droits réservés.  
Copyright 2009 Celestron - Tutti i diritti sono riservati.

(Products or instructions may change without notice or obligation.)  
(Produkte oder Anleitung können ohne Mitteilung oder Verpflichtung geändert werden.)  
(Los productos o instrucciones pueden cambiar sin notificación u obligación).  
(Les produits ou instructions peuvent changer sans notification ou obligation).  
(I prodotti e le istruzioni sono soggetti a cambiamenti senza obbligo di notifica).

Item # 21043-INST	Printed in China
Artikel-Nr. 21043-INST	Gedruckt in China
Artículo N° 21043-INST	Impreso en China
Article n° 21043-INST	Imprimé en Chine
Articolo n. 21043-INST	Stampato in Cina

\$10.00  
Rev.2 06-09