

Orion® Observer™ II 70mm Equatorial Refractor

#10272

Français

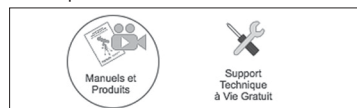
❶ Pour obtenir le manuel d'utilisation complet, veuillez vous rendre sur le site WebOrionTelescopes.eu/fr et saisir la référence du produit dans la barre de recherche.

Mon compte · Suivi de commande · Chat · Aide | Français EUR

Connexion

Entrez le mot clé ou le numéro du produit Recherche

❷ Cliquez ensuite sur le lien du manuel d'utilisation du produit sur la page de description du produit.



Deutsche

❶ Wenn Sie das vollständige Handbuch einsehen möchten, wechseln Sie zu OrionTelescopes.de, und geben Sie in der Suchleiste die Artikelnummer der Orion-Kamera ein.

Mein Konto · Bestellstatus · Chat · Hilfe | Deutsch EUR

Anmelden

Geben Sie das Stichwort oder die Produktnummer ein. Suchen

❷ Klicken Sie anschließend auf der Seite mit den Produktdetails auf den Link des entsprechenden Produkthandbuchs.



Español

❶ Para ver el manual completo, visite OrionTelescopes.eu y escriba el número de artículo del producto en la barra de búsqueda.

My Account · Order Status · Chat · Help | English EUR

Sign In

Enter keyword or product number Search

❷ A continuación, haga clic en el enlace al manual del producto de la página de detalle del producto.



Corporate Offices: 89 Hangar Way, Watsonville CA 95076 - USA
Toll Free USA & Canada: (800) 447-1001
International: +1(831) 763-7000
Customer Support: support@telescope.com

Copyright © 2020 Orion Telescopes & Binoculars. All Rights Reserved. No part of this product instruction or any of its contents may be reproduced, copied, modified or adapted, without the prior written consent of Orion Telescopes & Binoculars.

Congratulations on your purchase of an Orion telescope. Your new Observer II 70mm Equatorial Refractor is a terrific starter instrument for exploring the exotic wonders of the night sky. Designed to be compact and easy to use, it will provide many hours of enjoyment for the whole family.

If you have never owned a telescope before, we would like to welcome you to amateur astronomy. Take some time to familiarize yourself with the night sky. Learn to recognize the patterns of stars in the major constellations. With a little practice, a little patience, and a reasonably dark sky away from city lights, you'll find your telescope to be a never-ending source of wonder, exploration, and relaxation.

These instructions will help you set up, properly use, and care for your telescope. Please read them over thoroughly before getting started.

Table of Contents

1. Parts List	2
2. Assembly	4
3. Preparing the Telescope for Operation	5
4. Understanding and Using the Equatorial Mount	7
5. Astronomical Observing	9
6. Worthwhile Optional Accessories	12
7. Telescope Care and Maintenance	13
8. Specifications	13

1. Parts List

Part	Quantity
A – Tripod legs	3
B – Hex head tripod mounting bolts (3")	3
C – Washers (5/8")	3
D – Wing nuts	3
E – Leg lock thumbscrews	3
F – Accessory tray	1
G – Screws	3
H – Washers (3/8")	3
I – Wing nuts (small)	3
J – Equatorial mount	1
K – Azimuth lock knob (and washer)	1
L – Latitude adjustment bolt	1
M – Counterweight shaft	1
N – Counterweight lock knob	1
O – Counterweight	1
P – Slow-motion cables	2
Q – Mounting platform	1
R – Telescope optical tube	1
S – Red dot finder scope	1
T – Dust cover	1
U – 25mm Kellner eyepiece	1
V- 10mm Kellner eyepiece	1
W – Star diagonal	1
X – Tube attachment nuts	2*
Y – Washers	4*
Z – Screw driver tool	1

*Note: These parts may come attached to the mounting screws on the optical tube.

WARNING: *Never look directly at the Sun through your telescope—even for an instant—without a professionally made solar filter that completely covers the front of the instrument, or permanent eye damage could result. Young children should use this telescope only with adult supervision.*

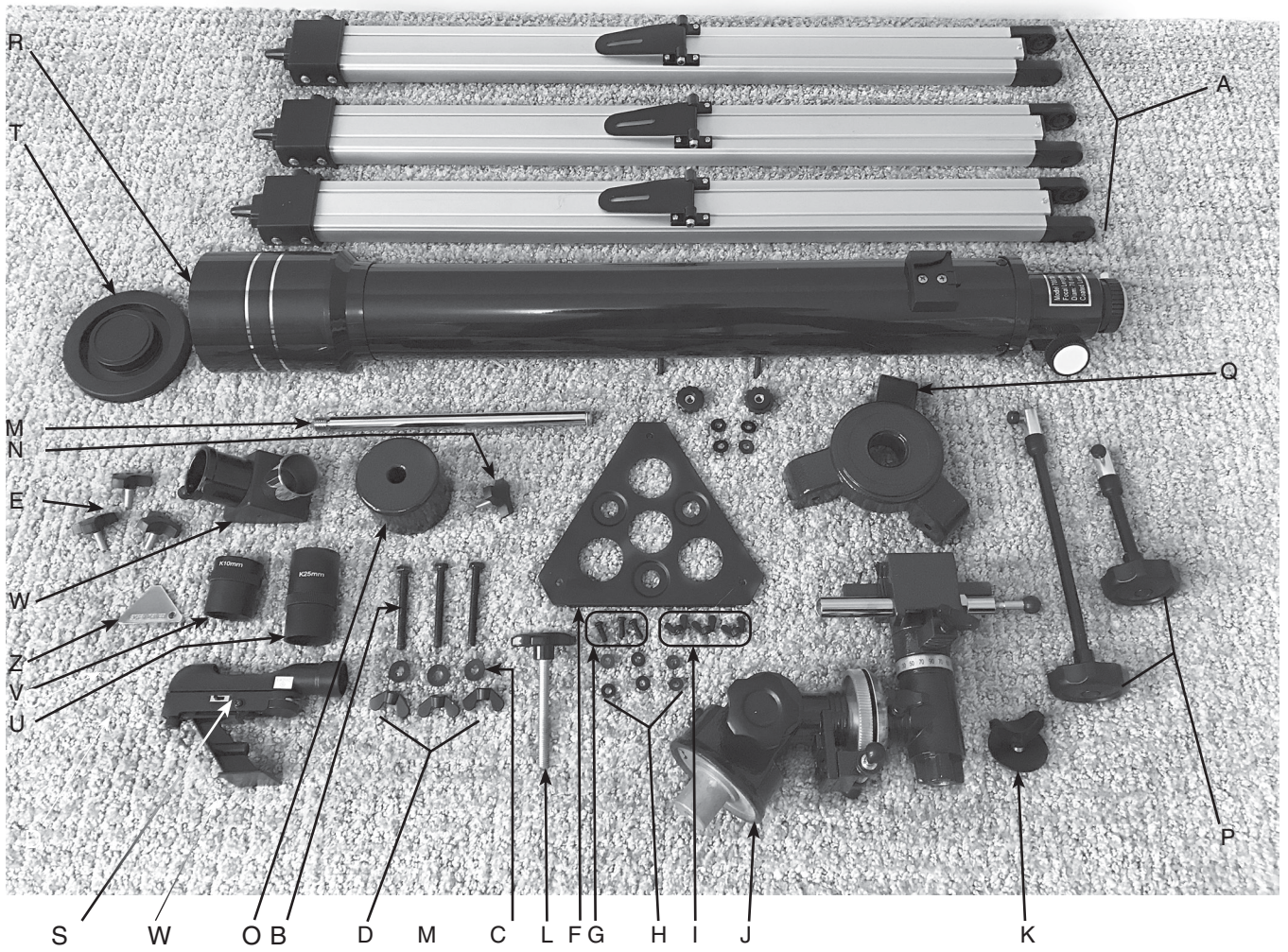


Figure 1. The parts of the Observer II 70 EQ telescope.

2. Assembly

1. Attach the three aluminum tripod legs (A) to the mounting platform (Q) (**Figure 3a**) with the three hinged leg braces facing inward. Three hex-head bolts (B) each about 3" long, with 5/8" washers (C) and wing nuts (D), are provided for this purpose. Note that the bolts should be inserted from the side of the leg that has the hex-shaped hole, so that the bolt head seats in the hex-shaped hole (**Figure 3b**). The washer then the wing nut are placed on the opposite side on the exposed end of the bolt.
2. Attach a leg lock thumbscrew (E) to each leg as shown (**Figure 4**). Extend the sliding inner portion of the adjustable-height tripod leg to the desired length for all three legs. Lock in place by tightening the leg lock thumbscrews. **Do not over-tighten the leg lock thumbscrews or you may damage the collar they are attached to.**
3. Now stand the tripod upright, spreading the legs evenly apart so the accessory tray can be positioned to attach to the three leg braces.
4. Attach the accessory tray (F) to the leg brace supports (**Figure 5**) with the three short screws (G), small (3/8") washers (H), and small wing nuts (I) provided. Place a washer on the screw. Then place the accessory tray on top of one of the leg braces so that the mounting screw passes through the hole at one of the corners of the accessory tray, and through the slot in the leg brace. Then place another small washer on the screw and thread on and tighten the wing nut. Repeat this procedure until the tray is attached to all three leg braces.

The tripod is now fully assembled (**Figure 6**). Next you will install the equatorial mount onto the tripod.

5. Locate the equatorial (EQ) mount (J) and place its base into the hole in the center of the mounting platform (Q) (**Figure 7a**). Then secure it in place with the azimuth lock knob and washer (K) (**Figure 7b**).
6. Thread the latitude adjustment bolt (L) into the threaded socket (**Figure 8**) until it contacts metal inside the housing.
7. Next, thread the counterweight shaft (M) into the base of the Declination axis of the mount (**Figure 9**).
8. Thread the counterweight lock knob (N) into the counterweight (O) a few turns.
9. To slide the counterweight onto the counterweight shaft, first remove the Phillips screw and washer from the end of the shaft. Make sure the counterweight lock knob (N) is loosened enough so that the metal pin inside the counterweight is clear of the shaft hole. Slide the counterweight about 2 inches from the bottom of the counterweight shaft and secure it in place with the lock knob (**Figure 10**). Then replace the washer and screw at the end of the counterweight shaft.
10. Attach the slow motion cables (P) to the gear shafts as shown in **Figure 11**. The longer cable should be attached to the declination gear shaft; the shorter cable to the right

ascension gear shaft. Orient the cable so that the thumb-screw seats in the groove of the gear shaft, as shown in **Figure 12**, then firmly tighten the thumbscrew. If there is a small rubber ball on the end of the shaft, you will have to remove it in order to attach the cable. Also note that, depending on your preference, you can attach the cable to either the left or right side of the right ascension gear shaft.

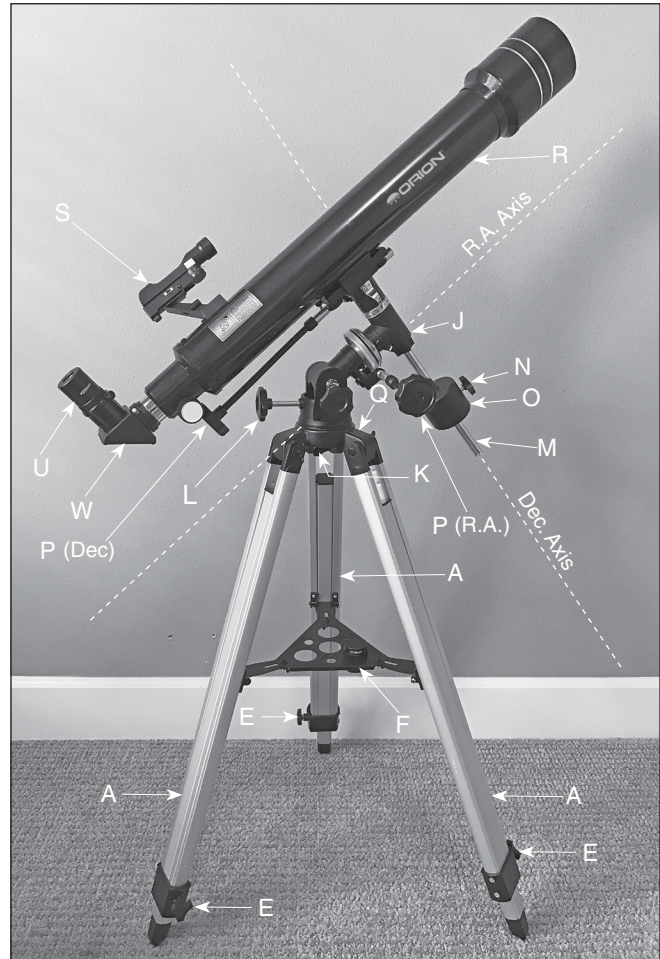


Figure 2. The Observer 70 II EQ telescope fully assembled, with key parts identified.

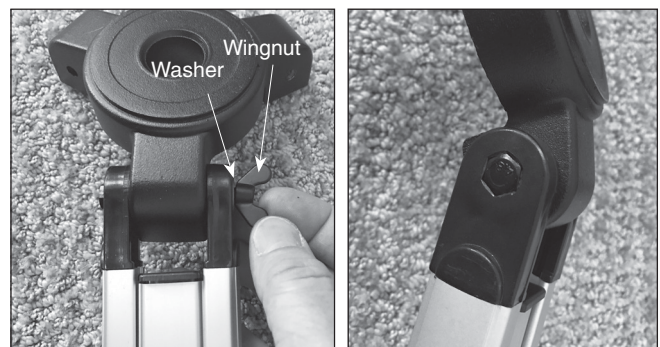


Figure 3. a) Attach the three tripod legs to the mount platform, **b)** making sure the bolt's hex-shaped head seats in the hex-shaped recess of the tripod leg.

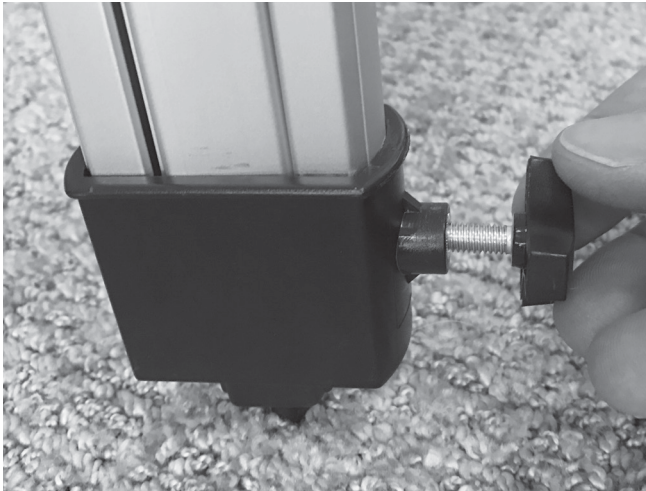


Figure 4. Thread a leg lock thumbscrew onto each tripod leg as shown, being careful not to overtighten.

Now the mount is properly attached to the tripod and outfitted for use (**Figure 13**). Next, you'll attach the telescope optical tube to the mount.

11. Remove the wing nuts and washers from the optical tube mounting bolts that are pre-installed on the underside of the telescope optical tube (R). Then lay the telescope optical tube assembly onto the saddle plate (**Figure 14**), passing the mounting bolts through the holes in the saddle plate. Then place a washer on each bolt and re-attach the wing nuts until tight. Be sure the focuser portion of the optical tube is on the same side of the saddle as the slow-motion control cable in Declination, as in **Figure 14**.
12. To attach the red dot finder scope (S) to the optical tube, orient the finder scope as shown in **Figure 15** and slide the bracket foot into the finder scope base until it clicks. (To remove the finder scope, press the small tab at the back of the base and slide the bracket out.)
13. Insert the star diagonal (W) into the focuser drawtube and tighten the two thumbscrews on the drawtube collar (**Figure 16**). Then insert the 25mm eyepiece (U) into the diagonal and secure it by lightly tightening the thumbscrew on the diagonal.

The telescope is now completely assembled! Before it can be effectively used, however, there are a couple of things to do to prepare the telescope for operation.

3. Preparing the Telescope for Operation

Aligning and Using the Red Dot Finder Scope

The included red dot finder scope (**Figure 17**) makes pointing your telescope almost as easy as pointing your finger! It's a non-magnifying aiming device that superimposes a tiny LED red dot on the sky, showing exactly where the telescope is pointed. It permits easy object targeting prior to observation in the higher-power main telescope.

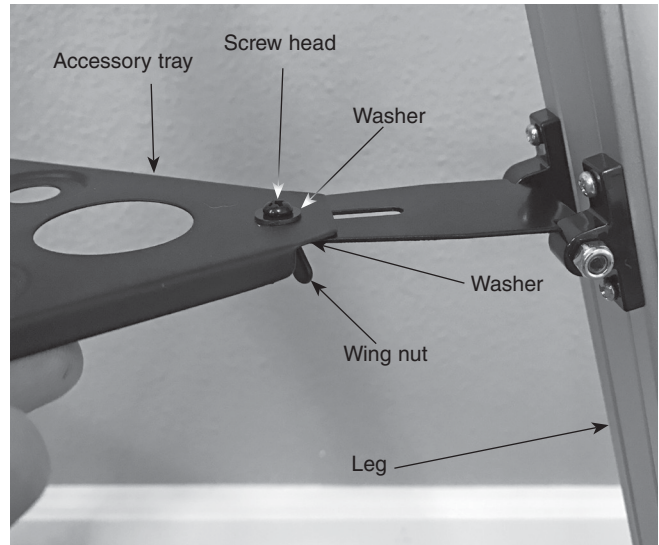


Figure 5. Attach the accessory tray to each of the tripod three leg brace supports using the provided hardware.

Before you can use the red dot finder scope, you must remove the small plastic tab sticking out from the battery compartment (**Figure 17**). Doing so will allow the pre-installed 3V CR-2032 button cell battery to make contact with the finder scope's electronic circuitry to power the finder's red LED illuminator. The tab can then be discarded.

To use the red dot finder scope properly, it must be aligned with the main telescope. This is easiest to do during daylight hours, before observing at night. Follow this procedure:



Figure 6. The fully assembled tripod.

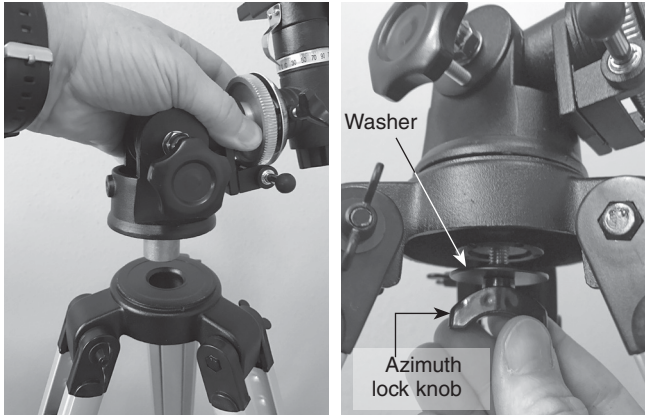


Figure 7. a) Install the equatorial mount onto the tripod mount platform, then b) secure it from the underside with azimuth lock knob.

1. First, remove the dust cap (T) from the front of the telescope.
2. With the star diagonal and 25mm eyepiece already in place from step 13 above, point the telescope at a well-defined land target (e.g., the top of a telephone pole) that's at least a quarter mile away. Center the target in the eyepiece by turning the slow-motion cables (P) as needed to point the telescope. For larger telescope movement, release the R.A. and Dec. axis lock knobs (**Figure 18**) and move the telescope tube by hand to the approximate location, then retighten the lock knobs and make finer pointing adjustments with the slow motion cables.

Note: The image in the telescope will appear mirror reversed, i.e., reversed left to right. This is normal for refractor telescopes used for astronomical observing with a standard star diagonal. (For terrestrial observing we recommend using an optional "correct image" diagonal, which will serve up a correctly oriented view.)

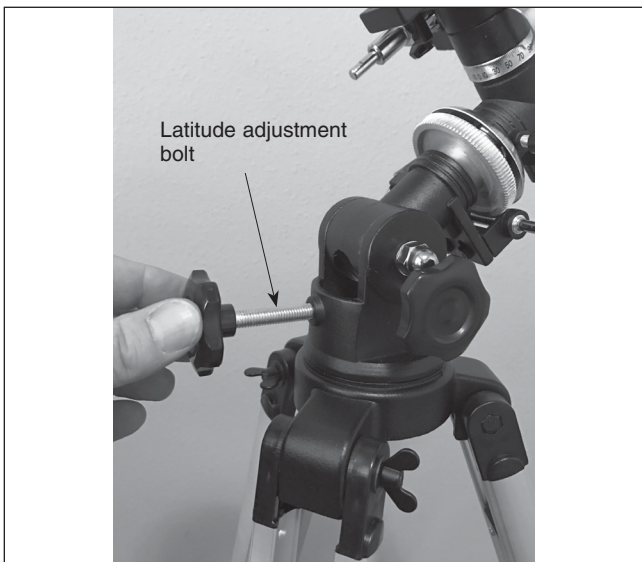


Figure 8. Screw in the latitude adjustment bolt.

3. Now that a distant target is centered in the main telescope's eyepiece, turn on the red dot finder scope by sliding the power switch to ON (refer to **Figure 17**). The "1" position provides dim illumination while the "2" position provides brighter illumination. Typically the dimmer setting is used under dark skies and the brighter setting is used under light-polluted skies or in daylight. Position your eye at a comfortable distance from the rear of the unit. Look through the rear of the finder scope with both eyes open to see the illuminated red dot. The target object should appear in the field of view somewhere near the red dot.
4. You'll want to center the target object on the red dot. To do so, without moving the telescope, use the finder scope's vertical and horizontal adjustment knobs (shown in **Figure 17**) to position the red dot on the object.
5. When the red dot is centered on the distant object, check to make sure the object is still centered in the telescope's eyepiece. If it isn't, re-center it then adjust the finder scope's alignment again. When the object is centered in the telescope eyepiece and on the finder scope's red dot, the finder scope is properly aligned with the telescope. The red dot finder scope's alignment should be checked before every observing session.

At the end of your observing session, be sure to slide the power switch on the red dot finder scope to OFF to preserve battery life.

Balancing the Telescope

In order for the telescope to move smoothly on its mechanical axes, it must first be balanced as follows:

1. Loosen the R.A. lock knob half a turn or so (**Figure 19**). With the R.A. lock knob loosened, the telescope mount will turn freely about the polar (R.A.) axis. Rotate the telescope about the polar axis so that the counterweight shaft is parallel to the ground (horizontal), as shown.
2. Loosen the counterweight lock knob and slide the counterweight along the shaft until the telescope remains in any given position without tending to drift up or down relative to the polar axis (**Figure 19**). Then retighten the counterweight lock knob, locking the counterweight in that position. If you can't tell where the balance point is, just set the counterweight halfway up the counterweight shaft and lock it there.

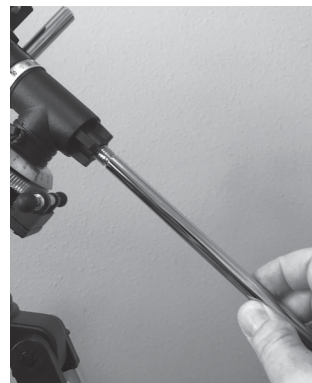


Figure 9. Thread the counterweight shaft into the declination housing.

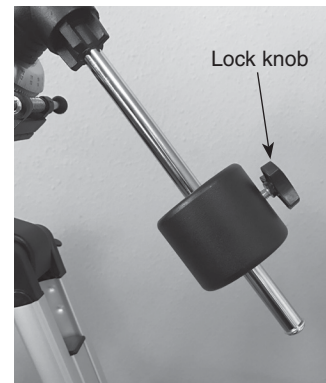


Figure 10. The counterweight, installed.

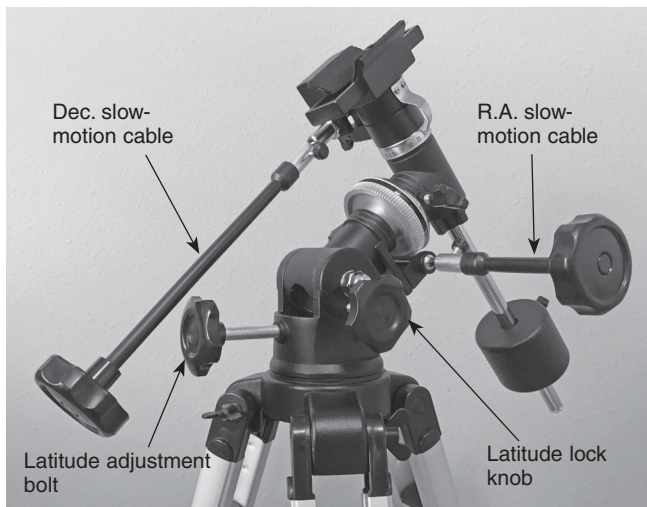


Figure 11. Rear view of the equatorial mount, with the two slow-motion cables attached.

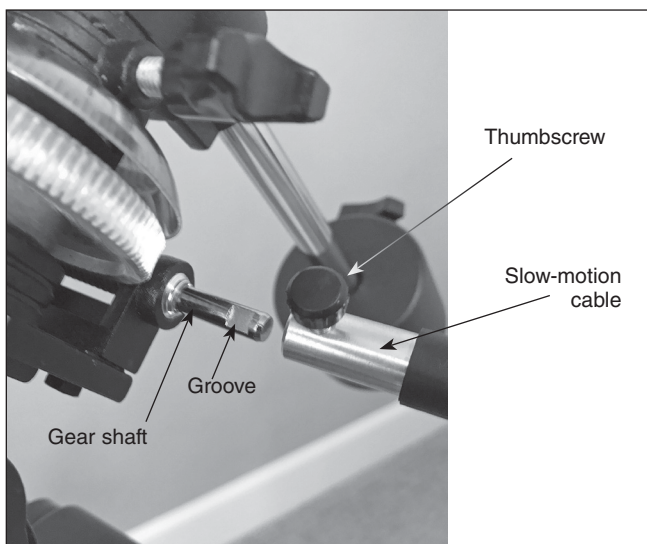


Figure 12. Line up the slow-motion cable thumbscrew with the groove in the gear shaft, then tighten.

The telescope is now balanced.

4. Understanding and Using the Equatorial Mount

When you look at the night sky, you no doubt have noticed the stars appear to move slowly from east to west over time. That apparent motion is caused by the Earth's rotation (from west to east). An equatorial mount is designed to compensate for that motion, allowing you to easily "track" the movement of astronomical objects, thereby keeping them from drifting out of the telescope's field of view while you're observing.

An equatorial mount has two perpendicular axes: right ascension and declination (**Figure 18**). The R.A. axis, also known as the "polar" axis, can be aligned to be parallel with the Earth's axis of rotation, thus allowing easy tracking of the

night sky. This is accomplished by slowly rotating the telescope on its R.A. axis. The process of aligning the mount's R.A. axis with the Earth's rotational (polar) axis is called polar alignment.

Polar Alignment

For Northern Hemisphere observers, approximate polar alignment is achieved by pointing the mount's right ascension axis at the North Star (Polaris). It lies within 1° of the north celestial pole (NCP), which is an extension of the Earth's rotational axis out into space. Stars in the Northern Hemisphere appear to revolve around the NCP.

To find Polaris in the sky, look north and locate the pattern of the Big Dipper (**Figure 20**). The two stars at the end of the "bowl" of the Big Dipper point right to Polaris.

Observers in the Southern Hemisphere aren't so fortunate to have a bright star so near the south celestial pole (SCP). The star Sigma Octantis lies about 1° from the SCP, but it is barely visible with the naked eye (magnitude 5.5).

To polar align the Observer II 70s equatorial mount:

1. Roughly level the equatorial mount by adjusting the length of the three tripod legs as needed.
2. Loosen the latitude lock knob (see **Figure 11**). Turn the latitude adjustment bolt until the pointer on the latitude scale is indicating the latitude of your observing location (**Figure 18**). If you don't know your latitude, you can look it up on the internet. For example, if your latitude is 35° North, set the pointer to 35. Then retighten the latitude lock knob. The latitude setting should not have to be adjusted again unless you move to a different viewing location some distance away.
3. Loosen the Dec. lock knob and rotate the telescope optical tube until it is parallel with the R.A. axis, as it is in **Figure 2**. The pointer on the Dec. setting circle should read 90° . Retighten the Dec. lock knob.
4. Loosen the azimuth lock knob at the base of the equatorial mount (**Figure 18**) and rotate the mount so the R.A. axis points roughly at Polaris. If you cannot see Polaris directly from your observing site, consult a compass and rotate the mount so the telescope points North. Retighten the azimuth lock knob.

The equatorial mount is now polar aligned. **From this point on in your observing session, you should not make any further adjustments to the azimuth or the latitude of the mount, nor should you move the tripod.** Doing so will undo the polar alignment. The telescope should be moved only about its R.A. and Dec. axes.

Using the R.A. and Dec. Slow-Motion Control Cables

The R.A. and Dec. slow-motion control cables allow fine adjustment of the telescope's position to center objects within the field of view. Before using the cables, manually "slew" the mount to point the telescope in the vicinity of the desired target. Do this by loosening the R.A. and Dec. lock knobs (**Figure 18**) and moving the telescope about the mount's



Figure 13. The fully assembled equatorial mount.

R.A. and Dec. axes. Once the telescope is pointed somewhere close to the object to be viewed, retighten the mount's R.A. and Dec. lock knobs.

The object should now be visible somewhere in the field of view of the red dot finder scope. If it isn't, use the slow-motion controls to scan the surrounding area of sky. **Note: when using the slow motion cables, the R.A. and Dec lock knobs should be tightened, not loose.** When the object is visible in the finder scope, use the slow-motion controls to center the red dot on it. Now, look in the telescope's eyepiece and use the slow-motion controls to center it in the eyepiece.

The Dec. slow-motion control cable can move the telescope a maximum of 25° or so. This is because the Dec. slow-motion mechanism has a limited range of mechanical travel. (The R.A. slow-motion mechanism has no limit to its amount of travel.) If you can no longer rotate the Dec. control cable in a desired direction, you have reached the end of travel, and the

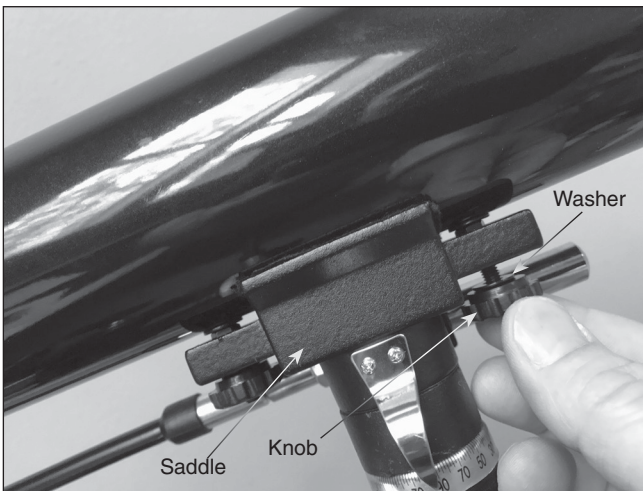


Figure 14. Attach the optical tube to the mount's saddle plate with the supplied wingnuts and washers.

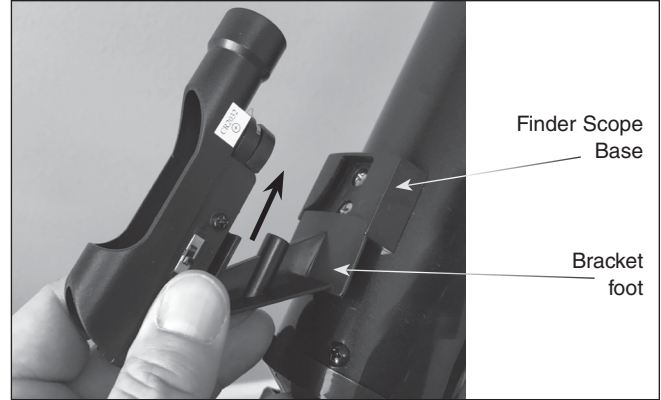


Figure 15. Insert the red dot finder scope's bracket into the base near the focuser as shown.

slow-motion mechanism must be reset. This is done by first rotating the control cable several turns in the opposite direction from which it was being turned. Then, manually slew the telescope closer to the object you wish to observe (remember to first loosen the Dec. lock knob). You should now be able to use the Dec. slow-motion control cable again to fine adjust the telescope's position.

Tracking Celestial Objects

When you observe a celestial object through the telescope, you'll see it drift slowly across the field of view. To keep it in the field, assuming your equatorial mount is polar aligned, just turn the R.A. slow-motion control cable clockwise, if the slow-motion cable is mounted on the EAST side of the mount. If it's on the WEST side of the mount, turn it counterclockwise to track. The Dec. slow-motion control cable is not needed for tracking. Objects will appear to move faster at higher magnifications, because the field of view is narrower.

Optional Electronic Drives for Automatic Tracking

An optional DC electronic drive can be mounted on the R.A. axis of the equatorial mount to provide hands-free tracking. Objects will then remain stationary in the field of view without any manual adjustment of the R.A. slow-motion control cable.

Understanding the Setting Circles

The two setting circles (**Figure 18**) on an equatorial mount enable you to locate celestial objects by their "celestial coordinates". Every object resides in a specific location on the "celestial sphere". That location is denoted by two numbers: its right ascension (R.A.) and declination (Dec.). In the same way, every location on Earth can be described by its longitude and latitude. R.A. is similar to longitude on Earth, and Dec. is similar to latitude. The R.A. and Dec. values for celestial objects can be found in any star atlas or star catalog.

The mount's R.A. setting circle is scaled in hours, from 1 through 24, with small marks in between representing 10-minute increments. The numbers closest to the R.A. axis gear apply to viewing in the Southern Hemisphere, while the numbers above them apply to viewing in the Northern Hemisphere.

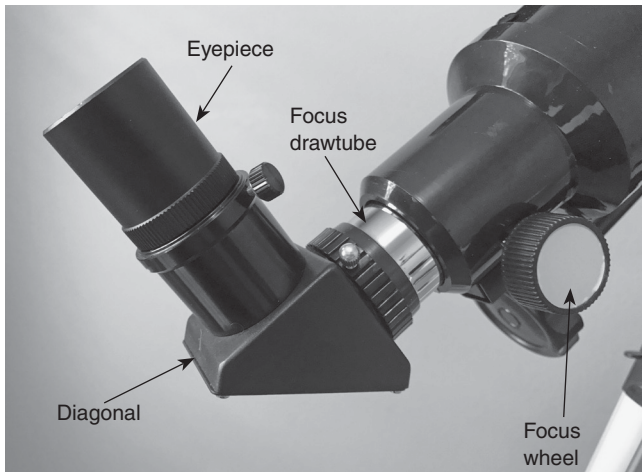


Figure 16. Secure the star diagonal in the focuser drawtube with the two thumbscrews, then secure the eyepiece in the diagonal.

The Dec. setting circle is scaled in degrees, with each mark representing 2.5° increments. Values of Dec. coordinates range from +90° to -90°. The 0° mark indicates the celestial equator. When the telescope is pointed north of the celestial equator, values of the Dec. setting circle are positive, while when the telescope is pointed south of the celestial equator, values of the Dec. setting circle are negative.

So, the coordinates for the Orion Nebula are:

R.A. 5h 35.4m Dec. -5° 27'

That's 5 hours and 35.4 minutes in right ascension, and -5 degrees and 27 arc-minutes in declination (there are 60 arc-minutes in 1 degree of declination).

Before you can use the setting circles to locate objects, the mount must be properly polar aligned, and the R.A. setting circle must be calibrated. The Dec. setting circle has been permanently calibrated at the factory, and should read 90° whenever the telescope optical tube is parallel with the R.A. axis.

Calibrating the Right Ascension Setting Circle

1. Identify a bright star in the sky near the celestial equator (Dec. = 0°) and look up its coordinates in a star atlas.
2. Loosen the R.A. and Dec. lock knobs on the equatorial mount, so the telescope optical tube can move freely.
3. Point the telescope at the bright star whose coordinates you know. Lock the R.A. and Dec. lock knobs. Center the star in the telescope's field of view with the slow-motion control cables.
4. Rotate the setting circle until the metal arrow indicates the R.A. coordinate listed in the star atlas for the object.

Finding Objects with the Setting Circles

1. Now that both setting circles are calibrated, look up in a star atlas the coordinates of an object you wish to view.
2. Loosen the R.A. lock knob and rotate the telescope until the R.A. value from the star atlas matches the reading on

the R.A. setting circle. Remember to use the upper set of numbers on the R.A. setting circle. Retighten the lock knob.

3. Loosen the Dec. lock knob and rotate the telescope until the Dec. value from the star atlas matches the reading on the Dec. setting circle. Remember that values of the Dec. setting circle are positive when the telescope is pointing north of the celestial equator (Dec. = 0°), and negative when the telescope is pointing south of the celestial equator. Retighten the lock knob.

Most setting circles are not accurate enough to put an object dead-center in the telescope's eyepiece, but they should place the object somewhere within the field of view of the red dot finder scope, assuming the equatorial mount is accurately polar aligned. Use the slow-motion controls to center the object in the finder scope, and it should appear in the telescope's field of view.

The R.A. setting circle must be re-calibrated every time you wish to locate a new object. Do so by calibrating the setting circle for the centered object before moving on to the next one.

Confused About Pointing the Telescope?

Beginners occasionally experience some confusion about how to point the telescope overhead or in other directions. One thing you DO NOT do is make any adjustment to the mount's latitude setting or to its azimuth position (don't touch the azimuth lock knob). That will throw off the mount's polar alignment. Once the mount is polar aligned, the telescope should be moved only about the R.A. and Dec. axes by loosening one or both of the R.A. and Dec. lock knobs and moving the telescope by hand, or keeping the knobs tightened and moving the telescope using the slow-motion cables.

5. Astronomical Observing

For many, this will be your first foray into the exciting world of amateur astronomy. The following information and observing tips will help get you started.

Choosing an Observing Site

When selecting a location for observing, get as far away as possible from direct artificial light such as street lights, porch lights, and automobile headlights. The glare from these lights will greatly impair your dark-adapted night vision. Set up on a grass or dirt surface, not asphalt, because asphalt radiates more heat. Heat disturbs the surrounding air and degrades the images seen through the telescope. Avoid viewing over rooftops and chimneys, as they often have warm air currents rising from them. Similarly, avoid observing from indoors through an open (or closed) window, because the temperature difference between the indoor and outdoor air will cause image blurring and distortion.

If at all possible, escape the light-polluted city sky and head for darker country skies. You'll be amazed at how many more stars and deep-sky objects are visible in a dark sky!

"Seeing" and Transparency

Atmospheric conditions vary significantly from night to night. "Seeing" refers to the steadiness of the Earth's atmosphere at a given time. In conditions of poor seeing, atmospheric turbulence causes objects viewed through the telescope to "boil."

If you look up at the sky and stars are twinkling noticeably, the seeing is poor and you will be limited to viewing at lower magnifications. At higher magnifications, images will not focus clearly. Fine details on the planets and Moon will likely not be visible.

In conditions of good seeing, star twinkling is minimal and images appear steady in the eyepiece. Seeing is best overhead, worst at the horizon. Also, seeing generally gets better after midnight, when much of the heat absorbed by the Earth during the day has radiated off into space.

Especially important for observing faint objects is good “transparency”—air free of moisture, smoke, and dust. All tend to scatter light, which reduces an object’s brightness. Transparency is judged by the magnitude of the faintest stars you can see with the unaided eye (5th or 6th magnitude is desirable).

Star-Testing the Telescope

When it is dark, point the telescope at a bright star and accurately center it in the eyepiece’s field of view. Slowly de-focus the image with the focus knob. If the telescope’s optics are correctly aligned, the expanding disk should be a perfect circle (**Figure 16**). If the image is unsymmetrical, the optics are out of alignment. The dark shadow cast by the secondary mirror should appear in the very center of the out-of-focus circle, like the hole in a donut. If the “hole” appears off-center, the optics are out of alignment.

If you try the star test and the bright star you have selected is not accurately centered in the eyepiece, the telescope will appear to need collimating, even though the optics may be perfectly aligned. It is critical to keep the star centered, so over time you will need to make slight corrections to the telescope’s position in order to account for the sky’s apparent motion.

given time. In conditions of poor seeing, atmospheric turbulence causes objects viewed through the telescope to “boil.” If you look up at the sky and stars are twinkling noticeably, the seeing is poor and you will be limited to viewing at lower magnifications. At higher magnifications, images will not focus clearly. Fine details on the planets and Moon will likely not be visible.

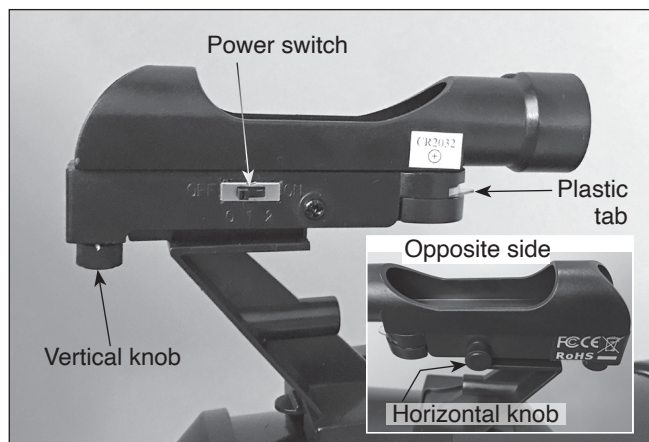


Figure 17. The red dot finder scope has vertical and (inset) horizontal adjustment knobs for aligning it with the telescope.

In conditions of good seeing, star twinkling is minimal and images appear steady in the eyepiece. Seeing is best overhead, worst at the horizon. Also, seeing generally gets better after midnight, when much of the heat absorbed by the Earth during the day has radiated off into space.

Especially important for observing faint objects is good “transparency”—air free of moisture, smoke, and dust. All tend to scatter light, which reduces an object’s brightness. Transparency is judged by the magnitude of the faintest stars you can see with the unaided eye (5th or 6th magnitude is desirable).

Cooling the Telescope

All optical instruments need time to reach “thermal equilibrium.” The bigger the instrument and the larger the temperature change, the more time is needed. Allow at least 30 minutes for your telescope to acclimate to the temperature outdoors before you start observing with it.

Let Your Eyes Dark-Adapt

Don’t expect to go from a lighted house into the darkness of the outdoors at night and immediately see faint nebulas, galaxies, and star clusters—or even very many stars, for that matter. Your eyes take about 30 minutes to reach perhaps 80% of their full dark-adapted sensitivity. As your eyes become dark-adapted, more stars will glimmer into view and you’ll be able to see fainter details in objects you view in your telescope.

To see what you’re doing in the darkness, use a red-filtered flashlight rather than a white light. Red light does not spoil your eyes’ dark adaptation like white light does. A flashlight with a red LED light is ideal. Beware, too, that nearby porch, streetlights, and car headlights will ruin your night vision.

Eyepiece Selection

Magnification, or power, is determined by the focal length of the telescope and the focal length of the eyepiece being used. Therefore, by using eyepieces of different focal lengths, the resultant magnification can be varied. It is quite common for an observer to own five or more eyepieces to access a wide range of magnifications. This allows the observer to choose the best eyepiece to use depending on the object being viewed and viewing conditions. Your Observer II 70mm EQ refractor comes with 25mm and 10mm Kellner eyepieces, which will suffice nicely to begin with. You can purchase additional eyepieces later if you wish to have more magnification options.

Magnification is calculated as follows:

$$\frac{\text{Telescope Focal Length (mm)}}{\text{Eyepiece Focal Length (mm)}} = \text{Magnification}$$

For example, the Observer II 70 mm EQ has a focal length of 400mm, which when used with the supplied 25mm eyepiece yields:

$$\frac{700 \text{ mm}}{25\text{mm}} = 28\text{x}$$

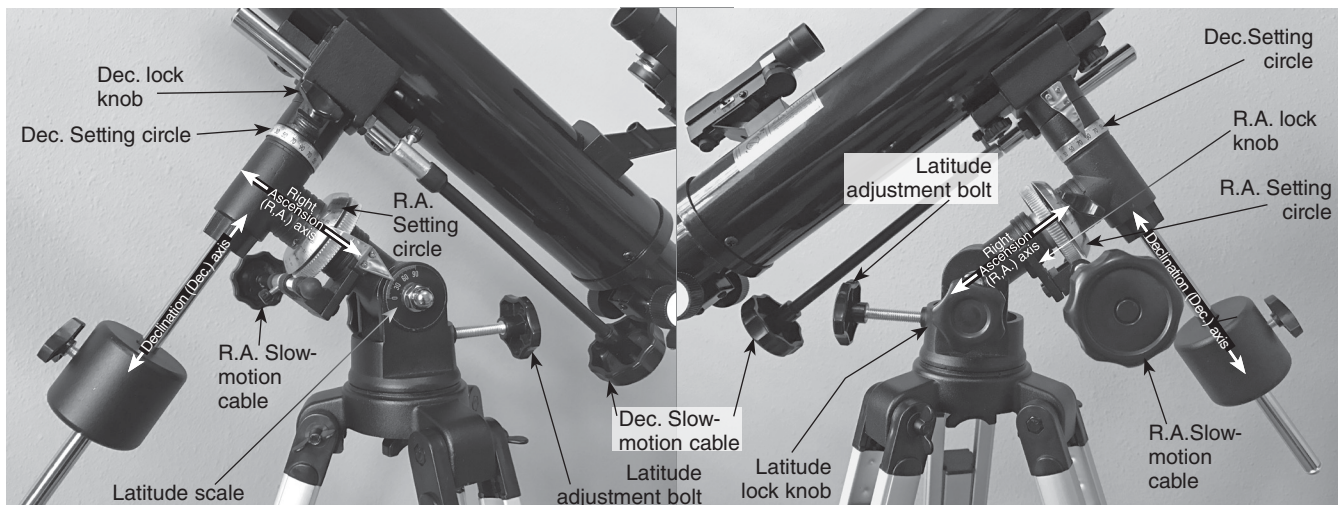


Figure 18. Components of the equatorial mount, seen from both sides.

The magnification provided by the 10mm eyepiece is:

$$\frac{700 \text{ mm}}{10 \text{ mm}} = 70x$$

The maximum attainable magnification for a telescope is directly related to how much light it can gather. The larger the aperture, the more magnification is possible. In general, a figure of 50x per inch of aperture is the maximum attainable for most telescopes. Going beyond that will yield simply blurry, unsatisfactory views. Your Observer II 70mm EQ has an aperture of 70mm, or 2.8 inches, so the maximum magnification would be about 140x (2.8 x 50). This level of magnification assumes you have ideal atmospheric conditions for observing (which is seldom the case).

Keep in mind that as you increase magnification, the brightness of the object viewed will decrease; this is an inherent principle of the laws of physics and cannot be avoided. If magnification is doubled, an image appears four times dimmer. If magnification is tripled, image brightness is reduced by a factor of nine!

Start by centering the object you wish to see in the 25mm eyepiece. Then you may want to increase the magnification to get a closer view, by switching to the 10mm eyepiece. If the object is off-center (i.e., it is near the edge of the field of view) you will lose it when you increase magnification, since the field of view will be narrower with the higher-powered eyepiece. So make sure it is centered in the 25mm eyepiece before switching to the 10mm eyepiece.

Focusing the Telescope

To focus the telescope, turn the focus wheels (**Figure 16**) forward or back until you see your target object (e.g., stars, the Moon, etc.) in the eyepiece. Then make finer adjustments until the image is sharp. If you're having trouble achieving initial focus, rack the focuser drawtube all the way in using the focus wheels, then while looking into the eyepiece slowly turn the focus wheels so that the drawtube extends outward. Keep going until you see your target object come into focus. Note that when you change eyepieces you may have to adjust the focus a bit to get a sharp image with the newly inserted eyepiece.

What to Expect

So what will you see with your telescope? You should be able to see bands on Jupiter, the rings of Saturn, craters on the Moon, the waxing and waning of Venus, and many bright deep-sky objects. Do not expect to see color as you do in NASA photos, since those are taken with long-exposure cameras and have “false color” added. Our eyes are not sensitive enough to see color in deep-sky objects except in a few of the brightest ones.

Objects to Observe

Now that you are all set up and ready to go, one critical decision must be made: what to look at?

A. The Moon

With its rocky surface, the Moon is one of the easiest and most interesting objects to view with your telescope. Lunar craters, maria, and even mountain ranges can all be clearly seen from a distance of 238,000 miles away! With its ever-changing phases, you'll get a new view of the Moon every night. The best time to observe our one and only natural satellite is during a partial phase, that is, when the Moon is not full. During partial phases, shadows are cast on the surface, which reveal more detail, especially right along the border between the dark and light portions of the disk (called the “terminator”). A full Moon is too bright and devoid of surface shadows to yield a pleasing view. Make sure to observe the Moon when it is well above the horizon to get the sharpest images.

Use an optional Moon filter to dim the Moon when it is very bright. It simply threads onto the bottom of the eyepieces (you must first remove the eyepiece from the focuser to attach a filter). You'll find that the Moon filter improves viewing comfort, and helps to bring out subtle features on the lunar surface.

B. The Planets

The planets don't stay put like the stars, so to find them you should refer to the monthly star charts at OrionTelescopes.com, or to charts published monthly in *Astronomy*, *Sky & Telescope*, or other astronomy magazines. Venus, Jupiter, and Saturn are the brightest objects in the sky after the Sun and the Moon. Other planets may be visible but will

likely appear star-like. Because planets are quite small in apparent size, optional higher-power eyepieces or a Barlow lens are recommended and often needed for detailed observations.

B. The Sun

You can change your nighttime telescope into a daytime Sun viewer by installing an optional full-aperture solar filter over the front opening of the telescope. The primary attraction is sunspots, which change shape, appearance, and location daily. Sunspots are directly related to magnetic activity in the Sun. Many observers like to make drawings of sunspots to monitor how the Sun is changing from day to day.

Important Note: Do not look at the Sun with any optical instrument without a professionally made solar filter, or permanent eye damage could result.

D. The Stars

Stars will appear like twinkling points of light. Even powerful telescopes cannot magnify stars to appear as more than a point of light. You can, however, enjoy the different colors of the stars and locate many pretty double and multiple stars. The famous “Double-Double” in the constellation Lyra and the gorgeous two-color double star Albireo in Cygnus are favorites. Defocusing a star slightly can help bring out its color.

E. Deep-Sky Objects

Under dark skies, you can observe a wealth of fascinating deep-sky objects, including gaseous nebulas, open and globular star clusters, and different types of galaxies. Most deep-sky objects are very faint, so it is important you find an observing site well away from light pollution.

To find deep-sky objects with your telescope, you first need to become reasonably familiar with the night sky. Unless you know how to recognize the constellation Orion, for instance, you won't have much luck locating the Orion Nebula. A simple planisphere, or star wheel, can be a valuable tool for learning the constellations and seeing which ones are visible in the sky on a given night. Once you have identified a few constellations, a good star chart, atlas, or astronomy app will come in handy for helping locate interesting deep-sky objects to view within the constellations.

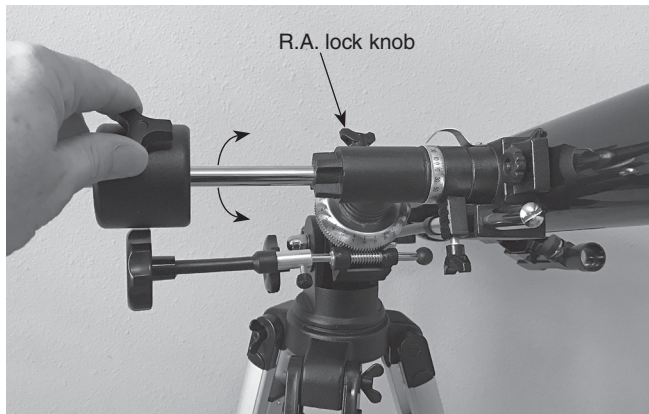


Figure 19. Balance the telescope on the R.A. axis by positioning it as shown and sliding the counterweight until balance is achieved.

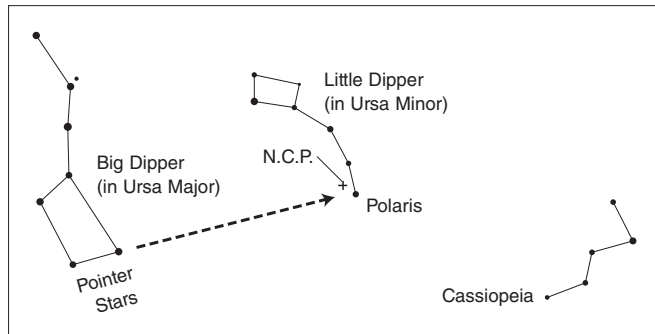


Figure 20. To find Polaris in the night sky, look north and find the Big Dipper. Extend an imaginary line from the two “Pointer Stars” in the bowl of the Big Dipper. Go about five times the distance between those stars and you'll reach Polaris, which lies within 1° of the north celestial pole (NCP).

Do not expect these objects to appear like the photographs you see in books and on the internet; most will look like dim gray smudges. Our eyes are not sensitive enough to see color in deep-sky objects except in a few of the brightest ones. But as you become more experienced and your observing skills get sharper, you will be able to ferret out more and more subtle details and structure.

6. Worthwhile Optional Accessories

- **Moon Filter** – A 1.25" Moon filter will cut down the strong glare of sunlight reflected from the Moon, making Moon viewing more comfortable and revealing more surface detail. The filter threads into the bottom of the Kellner eyepieces that came with your telescope (**Figure 21**).
- **Motor Drive** – A motor drive, which attaches to the right ascension axis of an equatorial telescope mount, enables your telescope to “track” the motion of stars and other celestial objects as they drift slowly from east to west in the night sky. This keeps them in the eyepiece field of view indefinitely, instead of drifting out of sight.
- **Barlow Lens** – A 2x Barlow lens doubles the magnifying power of any eyepiece it's used with, giving you a big power boost to get in closer to your target object. You just insert it between the diagonal and the eyepiece.
- **Planisphere** – A nifty “star wheel” that shows what stars and constellations are visible in the sky at any time of any night. Just set the date and time see a mini representation of your local night sky. Great for identifying what you see and planning an evening's observing session.
- **Star Map** – More detailed than a planisphere, a star map is essential for locating interesting celestial objects to observe with your telescope. Nowadays many mobile astronomy apps feature customizable star maps that you can access on your smartphone or tablet while you're at the telescope.



Figure 21. The Kellner eyepieces have barrels threaded to accept optional Orion 1.25" filters. A Moon filter is useful for cutting glare and revealing more detail on the lunar surface.

7. Telescope Care and Maintenance

If you give your telescope reasonable care, it will last a lifetime. Store it in a clean, dry, dust-free place, safe from rapid changes in temperature and humidity. Do not store the telescope outdoors, although storage in a garage or shed is OK. Small components like eyepieces and other accessories should be kept in a protective box or storage case. Keep the dust cover on the front of the telescope when it is not in use.

Your refractor telescope requires very little mechanical maintenance. The optical tube has a smooth painted finish that is fairly scratch-resistant. If a scratch does appear on the tube, it will not harm the telescope. If you wish, you may apply some auto touch-up paint to the scratch. Smudges on the tube can be wiped off with a soft cloth and household cleaning fluid.

Cleaning Optics

Any quality optical lens cleaning tissue and optical lens cleaning fluid specifically designed for multi-coated optics can be used to clean the lenses of your telescope and eyepieces. Never use regular glass cleaner or cleaning fluid designed for eyeglasses. Before cleaning, remove any loose particles or dust from the lens with a blower bulb or soft brush. Then apply some cleaning fluid to a tissue, never directly on the optics. Wipe the lens gently in a circular motion, then remove any excess fluid with a fresh lens tissue. Oily fingerprints and smudges may be removed using this method. Use caution; rubbing too hard may scratch the lens. On larger lenses, clean only a small area at a time, using a fresh lens tissue on each area. Never reuse tissues.

When bringing the telescope inside after an evening's viewing it is normal for moisture to accumulate on the lenses due to the change in temperature. We suggest leaving the telescope and eyepieces uncovered overnight to allow the condensation to evaporate.

8. Specifications

Objective lens: 70mm (2.8") diameter, achromatic

Effective focal length: 700mm

Focal ratio: f/10

Lens coatings: Antireflection coated

Focuser: Rack-and-pinion, accepts 1.25" accessories

Eyepieces: 25mm and 10mm Kellner, antireflection coated, 1.25" barrel diameter, threaded for Orion filters

Eyepiece magnification: 28x (with 25mm eyepiece) and 70x (with 10mm eyepiece)

Finder scope: Red dot finder scope

Mount: German equatorial

Tripod: Aluminum

Motor drive: Optional

Total instrument weight: 10 lbs. 6 oz.

One-Year Limited Warranty

This Orion product is warranted against defects in materials or workmanship for a period of one year from the date of purchase. This warranty is for the benefit of the original retail purchaser only. During this warranty period Orion Telescopes & Binoculars will repair or replace, at Orion's option, any warranted instrument that proves to be defective, provided it is returned postage paid. Proof of purchase (such as a copy of the original receipt) is required. This warranty is only valid in the country of purchase.

This warranty does not apply if, in Orion's judgment, the instrument has been abused, mishandled, or modified, nor does it apply to normal wear and tear. This warranty gives you specific legal rights. It is not intended to remove or restrict your other legal rights under applicable local consumer law; your state or national statutory consumer rights governing the sale of consumer goods remain fully applicable.

For further warranty information, please visit www.OrionTelescopes.com/warranty.



Corporate Offices: 89 Hangar Way, Watsonville CA 95076 - USA
Toll Free USA & Canada: (800) 447-1001
International: +1(831) 763-7000
Customer Support: support@telescope.com

Copyright © 2020 Orion Telescopes & Binoculars. All Rights Reserved. No part of this product instruction or any of its contents may be reproduced, copied, modified or adapted, without the prior written consent of Orion Telescopes & Binoculars.