

ADDENDUM

Orion® Thin Off-Axis Guider (TOAG)

#5531

This Addendum contains new information that is not included in the Manual (IN 500) for the Orion Thin Off-Axis Guider (TOAG). In particular, this Addendum covers the addition of a Camera 48mm Ring Adapter, which is now included along with the Camera 42mm Ring Adapter and other adapters pictured in **Figure 1** (Revised). The new 48mm adapter is #5 in the figure and in the accompanying Parts List (revised). Note that some part numbers in **Figure 1** and the Parts List (those in boldface type) have changed from their designations in the original manual. Please keep this in mind when part numbers are referred to in the manual.

The Camera 48mm Ring Adapter provides a 48mm male thread for attachment of a camera to the TOAG – such as a DSLR via a 48mm (wide) T-ring. The 48mm thread provides a wider opening than the Camera 42mm Ring Adapter to minimize image vignetting, especially when using a full-frame camera sensor.

Parts List (Revised)

1. Thin Off-Axis Guider main body
2. 2" Nosepiece
3. Canon camera-compatible ring adapter (bayonet)
4. Camera 42mm T-thread ring adapter
- 5. Camera 48mm ring adapter**
- 6. Step-down ring (M48 male to T-threads female)**
- 7. Coma corrector spacer**
- 8. C-mount to T-threads (Male-Female) adapter**
- 9. Spacer (18mm long)**
10. Hex key (not shown)

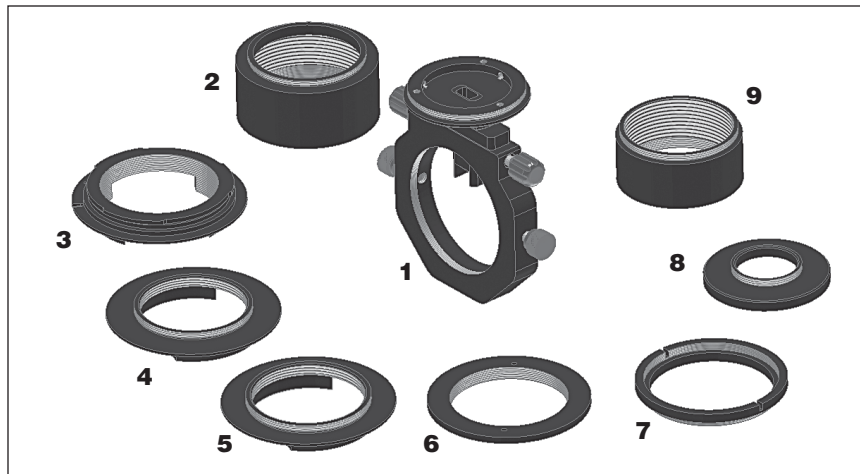


Figure 1. (Revised) Parts included with the TOAG

**ORION**
TELESCOPES & BINOCULARS
AN EMPLOYEE-OWNED COMPANY

Corporate Offices: 89 Hangar Way, Watsonville CA 95076 - USA
Toll Free USA & Canada: (800) 447-1001
International: +1(831) 763-7000
Customer Support: support@telescope.com

Copyright © 2021 Orion Telescopes & Binoculars. All Rights Reserved. No part of this product instruction or any of its contents may be reproduced, copied, modified or adapted, without the prior written consent of Orion Telescopes & Binoculars.